



REPLACEMENT PARTS MANUAL

Date Issued 20-May-01	Product Section Details VULCAN CENTRAL HEATING: 'V' SERIES INTERNAL	Section No H10.05
Issue Status B	N1.5 HARD WIRED CONTROL MODELS: VI15 (60MJ) , VI23 (90MJ) , VI30 (110MJ) NATURAL GAS ONLY	Page 2

ITEM NUMBER	DESCRIPTION	PART NUMBER	COMMENTS
1	HEAT EX W/O TOP BOX 60MJ	5001301SP	
	HEAT EX W/O TOP BOX 90MJ	5021301SP	
	HEAT EX W/O TOP BOX 120MJ	5031301SP	
	CONTROL BOX COMBUSTION	924112SP	
	GASKET HEAT EX CAP UPPER	904136SP	
	GASKET HEAT EX CONNECTION	9041449SP	
	GASKET FIBREGLASS TOP BOX	904318SP	
	O RING BS228	9041121SP	
2	CONNECTOR FLUE OUTLET	9041917SP	
3	CONTROL BOARD N1.5-S3	5001325SP	
	GROMMET ELECTRICAL BOX	9041179SP	
	GROMMET MACAM TYPE 5	925113SP	
4	TRANSFORMER	9241846SP	
5	TERMINAL BLOCK MAINS INPUT	9041920SP	
6	CAPACITOR 1.5uf 2FLY LEADS	2565811SP	
7	PRESSURE SWITCH INT (RED)	9041987SP	
10	TUBE PRESSURE SWITCH	9051113SP	
11	TUBE PRESSURE SWITCH	9051113SP	
12	TUBE PRESSURE SWITCH SHORT	9041183SP	
	PIPE FLUE SENSOR	904156SP	
13	SERVICE LEAD	904162SP	
14	THERMOSTAT MAN RESET C/OUT	9041914SP	
15	LOOM OVERTEMP CUT OUT	9241808SP	
16	INLET AIR GRILL	9041495-XSP	
17	SPIGOT COMB. AIR INLET	9041175SP	
18	THERMOSTAT OUTLET AIR	9041916SP	
19	LEADWIRE ASSY RA C/OUT	9241833SP	
20	FAN ASSY COMBUSTION	9041900SP	
21	ELECTRODE FLAME SENSOR	904353SP	
22	PANEL BNR COVER UPPER N1.5	9041351SP	
23	PANEL BNR COVER LOWER N1.5	9041352SP	
24	INLET AIR GRILL	5001311SP	
25	SCREW	S01949SP	
27	BURNER ASSY CAST AL	9041959SP	DOES NOT INCLUDES DSI & FLAME ROD
28	PLUG MANIFOLD	9041161SP	
29	MANIFOLD	9041989SP	
30	JET NG 2.8MM	5011302SP	
	JET NG 3.2MM	5001303SP	
31	GASKET MANIFOLD	924110SP	
32	FAN ASSY 250W VARIABLE SPD	9241851SP	VI15, 23
	FAN ASSY 600W VARIABLE SPD	9243802SP	VI30
	MOTOR ROOM AIR FAN 250W V/SPD	5011605SP	
	MOTOR ROOM AIR FAN 600W V/SPD	5011606SP	
33	CAPACITOR 8uf 4 MALE TERM.	9041888SP	



REPLACEMENT PARTS MANUAL

Date Issued
20-May-01

Product Section Details

VULCAN CENTRAL HEATING: 'V' SERIES INTERNAL

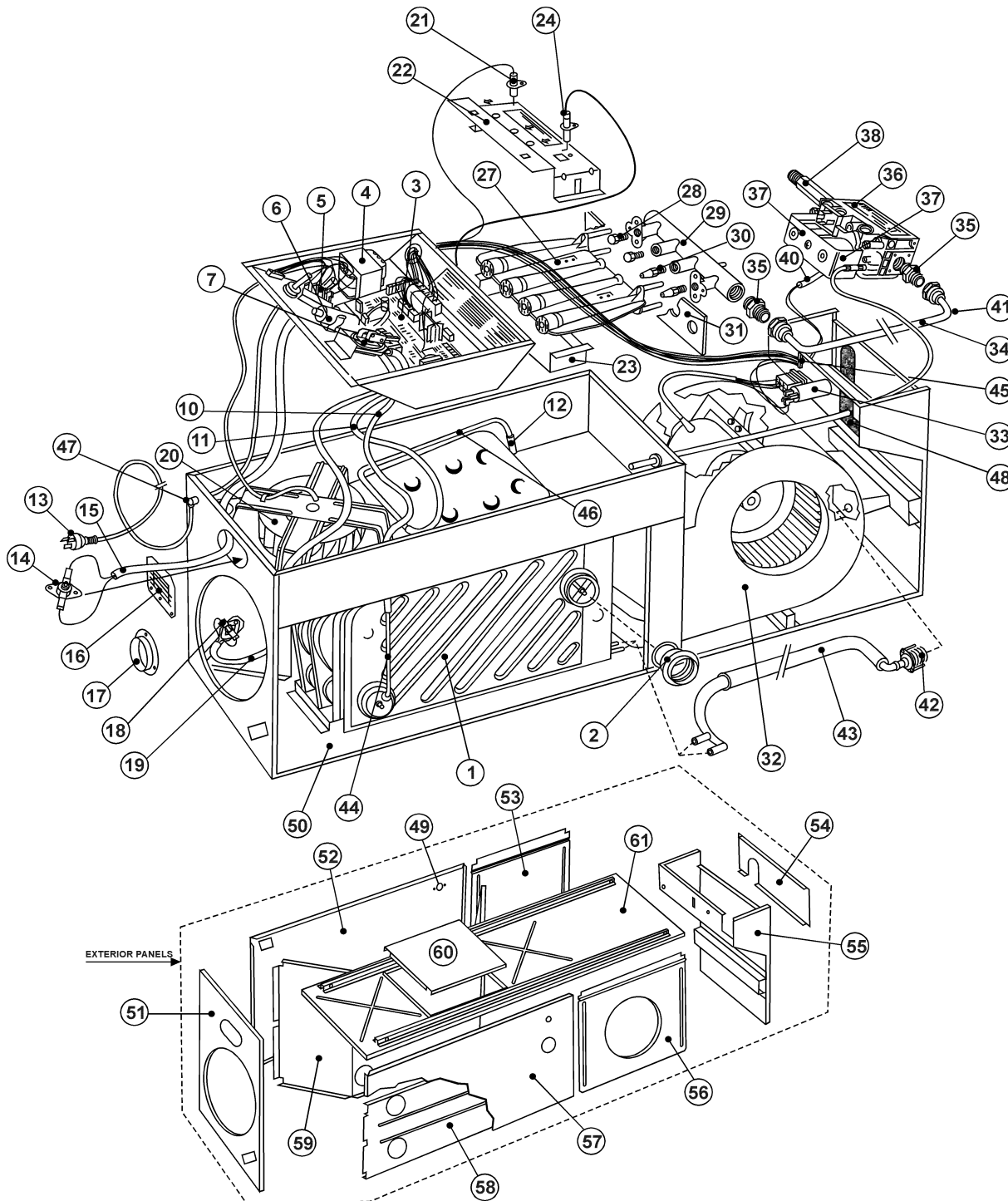
Section No
H10.05

Issue Status
B

N1.5 HARD WIRED CONTROL

MODELS: VI15 (60MJ) , VI23 (90MJ) , VI30 (110MJ) NATURAL GAS ONLY

Page
3



Central Heater - Internal Spare Parts

© Copyright 2001



REPLACEMENT PARTS MANUAL

Date Issued 20-May-01	Product Section Details VULCAN CENTRAL HEATING: 'V' SERIES INTERNAL	Section No H10.05
Issue Status B	N1.5 HARD WIRED CONTROL MODELS: VI15 (60MJ) , VI23 (90MJ) , VI30 (110MJ) NATURAL GAS ONLY	Page 4

ITEM NUMBER	DESCRIPTION	PART NUMBER	COMMENTS
	CAPACITOR 15uf	9043821SP	
34	PIPE VALVE TO MANIFOLD INT	92417SP	
35	COMP. NIPPLE BR 1/2"BSP	0100484SP	
36	VALVE TANDEM N1.5 NO ECO	904377SP	
37	BRACKET GAS VALVE	924119SP	2 PER KIT
38	NIPPLE & COUPLING NG	92414SP	
40	PLUG & LOOM ASSY VALVE	9041990SP	
41	TUBE SILICON RUBBER	S06539SP	
42	OUTLET CONDENSATE DRAIN	9041969SP	
43	PIPE CONDENSATE	9041923SP	
	CONDENSATE Y PIECE	9041924SP	
	CONDENSATION PIPE CLAMP	7021536SP	
	CONDENSATION PIPE PLUG	9041176SP	
44	PIPE SENSOR HIGH PRESSURE	9041340SP	
45	LOOM MOTOR 6 PIN	9241812SP	
46	SENSOR FLUE PIPE EXTENSION	904158SP	
47	BUSH STRAIN RELEASE	S06014SP	
48	PLATE GAS INLET PIPE	924131SP	
49	GLASS SIGHT WINDOW	9021146SP	2 PER UNIT
	GASKET GLASS SIGHT WINDOW	9041396SP	
50	PANEL CASE BASE	904111SP	
51	PANEL FAN OUTLET 350MM 14"	904310SP	V130 ONLY
	PANEL FAN OUTLET 300MM 12"	904139SP	VI15 & VI23
52	PANEL CASE SIDE RH	904141SP	
53	PANEL FAN ACCESS	9041122SP	
54	PANEL VALVE COVER	914131SP	
55	PANEL FRONT FORMED	92418SP	
56	PANEL FAN INLET 14"	90431SP	V130 ONLY
	PANEL FAN INLET 12"	9041123SP	VI15 & VI23
57	PANEL CASE SIDE LH	904140SP	
58	PANEL AIR GUIDE LHS 120MJ	904143SP	
59	PANEL AIR GUIDE LHS 60MJ	90477SP	
	PANEL AIR GUIDE RHS 90MJ	904144SP	
	PANEL AIR GUIDE LHS 120MJ	904143SP	
60	PANEL ELECTRICS COVER	904197SP	
61	CASE TOP	904138SP	
	SEAL LID ASSY	9041921SP	
	SCREW NO 8	S01946SP	COMMON ASSEMBLY SCREW
	ACCESSORIES		
	PIPE INLET 3/4" NG	9241858SP	
	RESILIENT MOUNT	9041932SP	4 PER UNIT
	COWL EXHAUST	9241855SP	