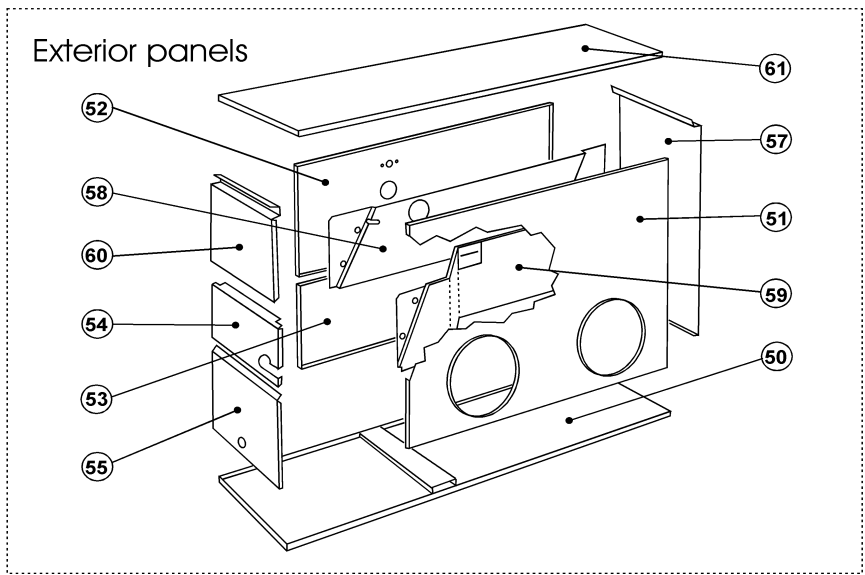
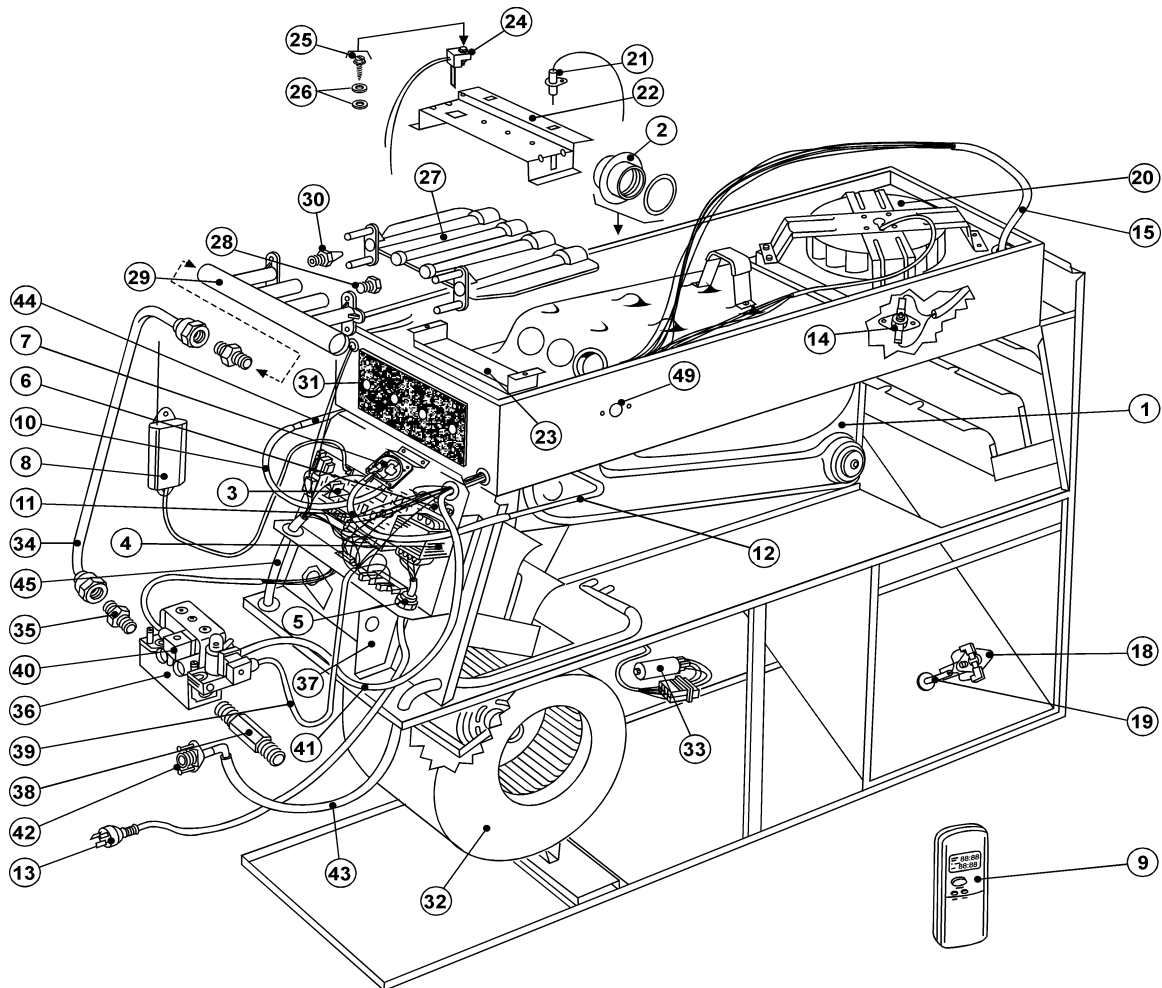




# REPLACEMENT PARTS MANUAL



Date Issued <b>20-May-01</b>	Product Section Details <b>VULCAN CENTRAL HEATING: HIGH EFFICIENCY EXTERNAL</b>	Section No <b>H10.04</b>
Issue Status <b>B</b>	N-2 RF CONTROL & N1.5 HARD WIRED CONTROL MODELS: HX80, HX100, HX120, HX135 : NG & LPG	Page <b>1</b>





# REPLACEMENT PARTS MANUAL



Date Issued <b>20-May-01</b>	Product Section Details <b>VULCAN CENTRAL HEATING: HIGH EFFICIENCY EXTERNAL</b>	Section No <b>H10.04</b>
Issue Status <b>B</b>	N-2 RF CONTROL & N1.5 HARD WIRED CONTROL MODELS: HX80, HX100, HX120, HX135 : NG & LPG	Page <b>2</b>

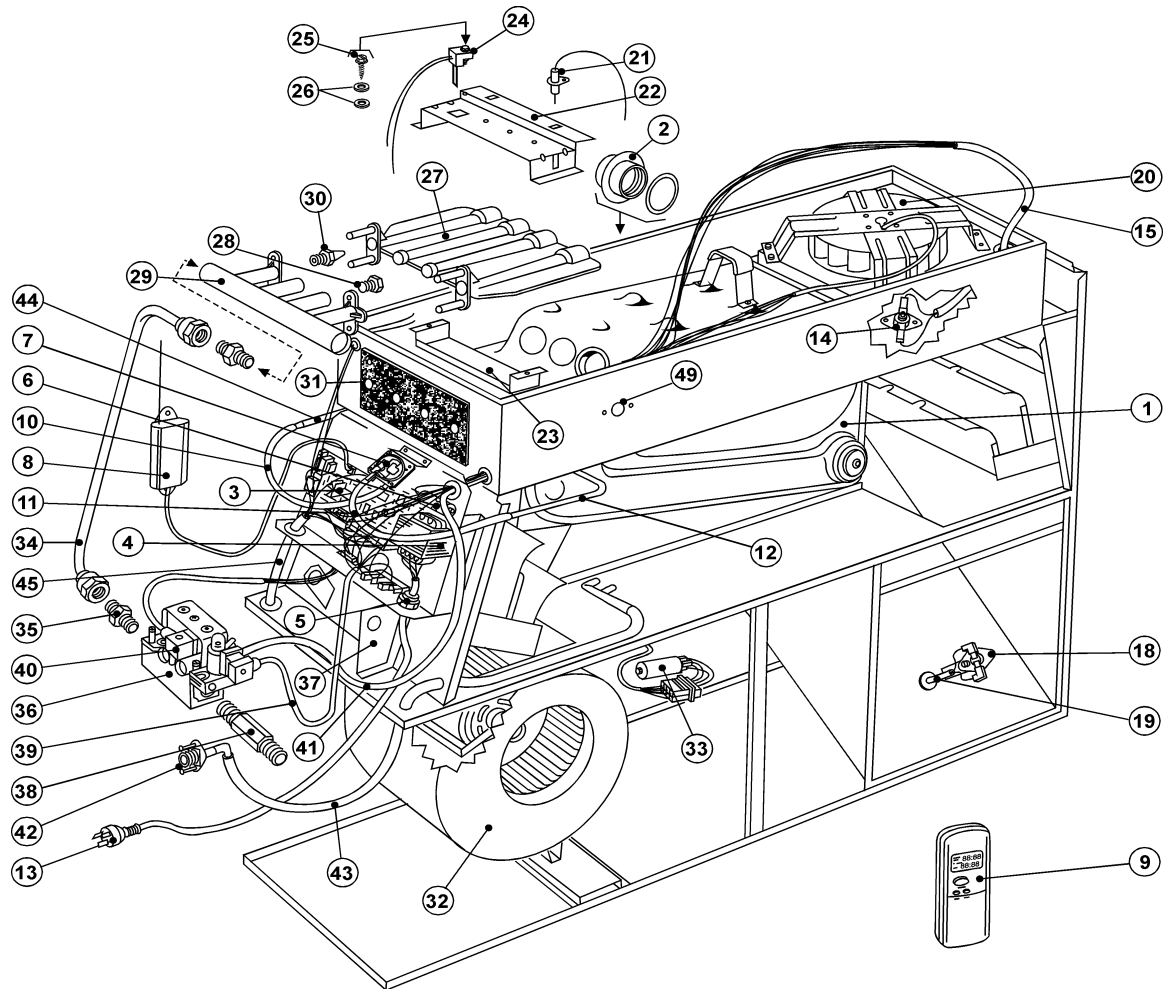
ITEM NUMBER	DESCRIPTION	PART NUMBER	COMMENTS
1	HEAT EX W/O TOP BOX 60MJ	5001301SP	
	HEAT EX W/O TOP BOX 90MJ	5021301SP	
	HEAT EX W/O TOP BOX 120MJ	5031301SP	
	CONTROL BOX COMBUSTION	924112SP	
	GASKET FIBREGLASS TOP BOX	904318SP	
	GASKET HEAT EX CAP UPPER	904136SP	
	GASKET HEAT EX CONNECTION	9041449SP	
	O RING BS228	9041121SP	
2	CONNECTOR FLUE OUTLET	9041917SP	
3	CONTROL BOARD NEWT	N.L.A	SEE SPECIAL COMMENTS
	CONTROL BOARD N2 PNE CONV	5001326SP	SEE SPECIAL COMMENTS
	CONTROL BOARD PNE	5001328SP	CONTROL BOX PNE ONLY
	CONTROL BOARD N1.5-S3	5001325SP	
	GROMMET ELECTRICAL BOX	9041179SP	
	GROMMET MACAM TYPE 5	925113SP	
4	TRANSFORMER	9241846SP	
5	TERMINAL BLOCK MAINS INPUT	9041920SP	
6	CAPACITOR 1.5uf 2FLY LEADS	2565811SP	
7	PRESSURE SWITCH EXT (BLUE)	9053905SP	
8	RECEIVER KIT	9241847SP	
9	THERMOSTAT REMOTE PROG RF	9241844SP	
10	TUBE PRESSURE SWITCH	9051113SP	
11	TUBE PRESSURE SWITCH	9051113SP	
12	SENSOR LOW PRESSURE TUBE	905138SP	
13	SERVICE LEAD	904162SP	
14	THERMOSTAT MAN RESET C/OUT	9041914SP	
15	LOOM OVERTEMP C/OUT	9251810SP	
18	THERMOSTAT OUTLET AIR	9041916SP	
19	LOOM MOTOR 6 PIN	9251813SP	
20	FAN ASSY COMBUSTION	9041900SP	
21	INLET AIR GRILL	9041974SP	
22	PANEL BURNER COVER	924152SP	
	PANEL BNR COVER UPPER N1.5	9041351SP	
23	PANEL BNR COVER LOWER N1.5	9041352SP	
24	IGNITER HOT SURFACE N2	9241848SP	
	DIRECT SPARK IGNITOR N1.5	5001311SP	
25	SCREW	S01949SP	
26	WASHER FIBRE	S03337SP	
27	BURNER ASSY N2 NG LPG	9251824SP	
	BURNER ASSY CAST AL	9041959SP	
28	PLUG MANIFOLD	9041161SP	
29	MANIFOLD	9041989SP	
30	JET LPG 1.5MM (5001321SP)	5001320SP	
	JET LPG 1.5MM	5001321SP	



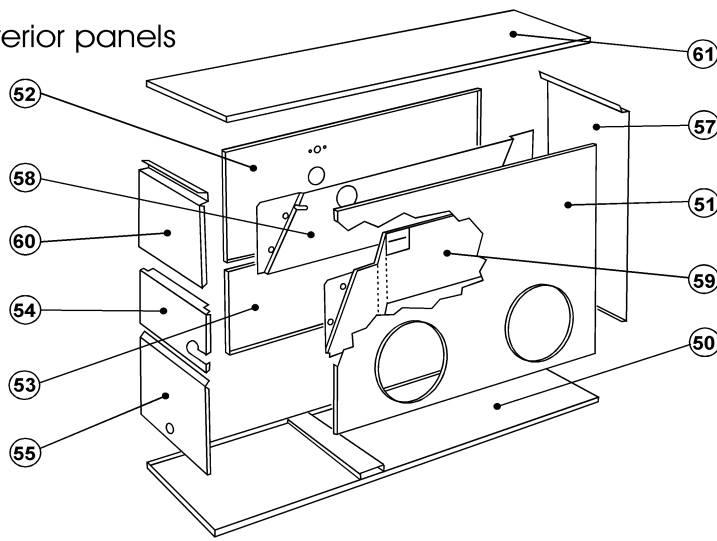
# REPLACEMENT PARTS MANUAL



Date Issued <b>20-May-01</b>	Product Section Details <b>VULCAN CENTRAL HEATING: HIGH EFFICIENCY EXTERNAL</b>	Section No <b>H10.04</b>
Issue Status <b>B</b>	N-2 RF CONTROL & N1.5 HARD WIRED CONTROL MODELS: HX80, HX100, HX120, HX135 : NG & LPG	Page <b>3</b>



Exterior panels





# REPLACEMENT PARTS MANUAL



Date Issued <b>20-May-01</b>	Product Section Details <b>VULCAN CENTRAL HEATING: HIGH EFFICIENCY EXTERNAL</b>	Section No <b>H10.04</b>
Issue Status <b>B</b>	N-2 RF CONTROL & N1.5 HARD WIRED CONTROL MODELS: HX80, HX100, HX120, HX135 : NG & LPG	Page <b>4</b>

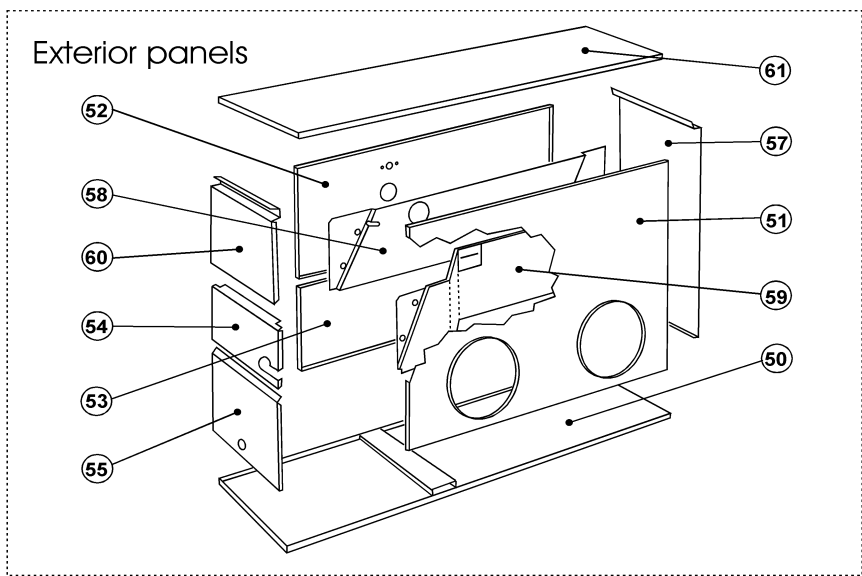
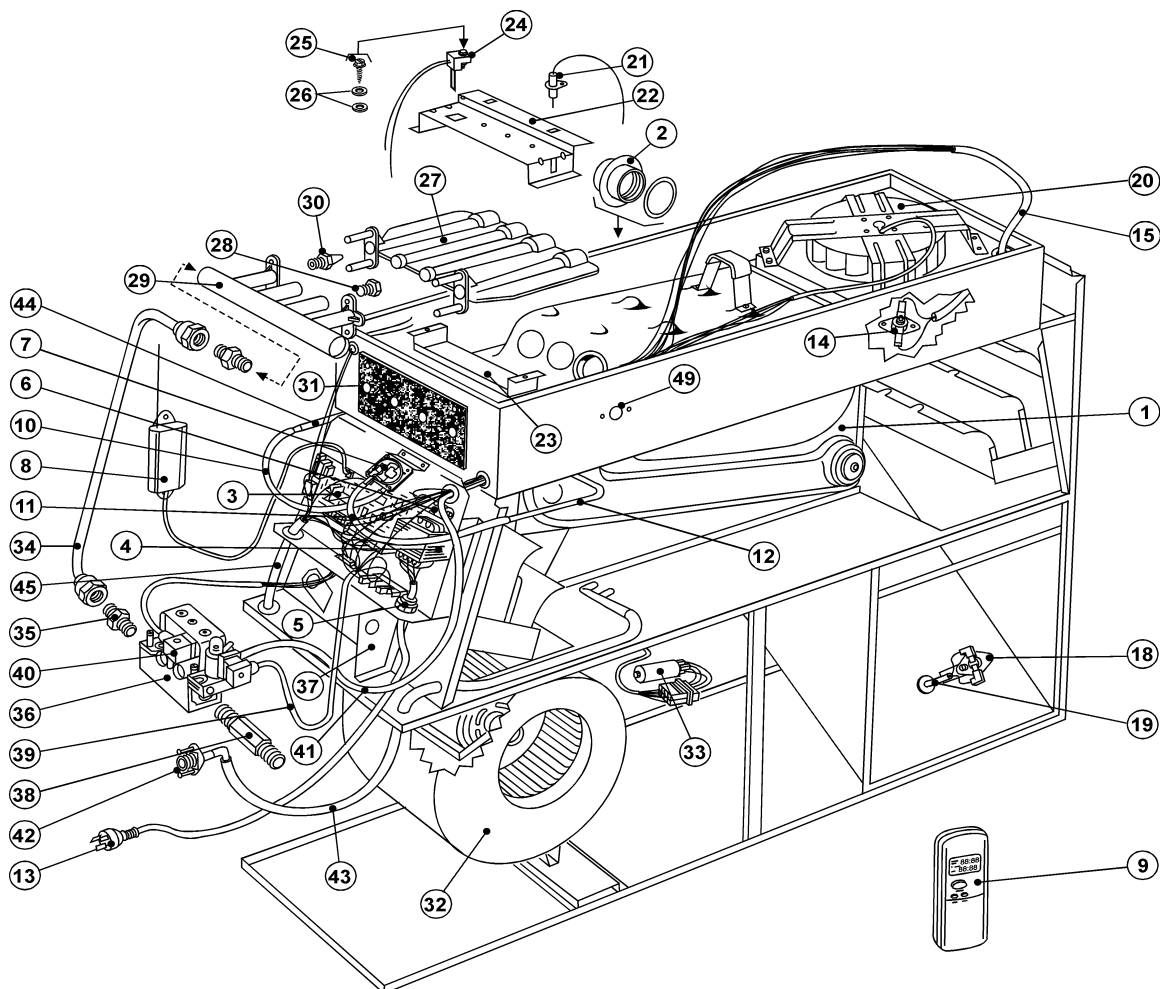
ITEM NUMBER	DESCRIPTION	PART NUMBER	COMMENTS
	JET NG 2.8MM	5011302SP	
	JET NG 3.2MM	5001303SP	
31	GASKET MANIFOLD	924110SP	
32	FAN ASSY 250W VARIABLE SPD	9241851SP	HX 85, 100, 120
	FAN ASSY 600W VARIABLE SPD	9243802SP	HX 145
	MOTOR ROOM AIR FAN 250W V/SPD	5011605SP	
	MOTOR ROOM AIR FAN 600W V/SPD	5011606SP	
33	CAPACITOR 8uf 4 MALE TERM.	9041888SP	HX 85, 100, 120
	CAPACITOR 15uf	9043821SP	HX 145
34	PIPE VALVE TO MANIFOLD EXT	92511SP	
35	COMP. NIPPLE BR 1/2"BSP	0100484SP	
36	VALVE ASSY EXT N2 NG LPG	9251823SP	
	VALVE ASSY EXT N2 NG LPG	9251823SP	Valve Complete With Fittings
	VALVE TANDEM N1.5 NO ECO	904377SP	
37	BRACKET VALVE SUPPORT	92514SP	2 Per Kit
38	NIPPLE & COUPLING NG	92414SP	
	NIPPLE & COUPLING LPG	92422SP	
39	PLUG & LOOM ASSY ECO	9241857SP	
40	PLUG & LOOM ASSY VALVE	9041990SP	
41	TUBE SILICON RUBBER	S06539SP	
42	OUTLET CONDENSATE DRAIN	9041969SP	
43	CONDENSATION TUBE	905167SP	
	CONDENSATE Y PIECE	9041924SP	
	CONDENSATION PIPE CLAMP	7021536SP	
	CONDENSATION PIPE PLUG	9041176SP	
44	PIPE SENSOR HIGH PRESSURE	9051101SP	
45	LOOM MOTOR 6 PIN	9251813SP	
49	GLASS SIGHT WINDOW	9021146SP	2 Per Kit
	GASKET GLASS SIGHT WINDOW	9041396SP	
50	PANEL BASE CASE	905147SP	
51	PANEL REAR 14"	915130ECSP	
	PANEL REAR 12"INCH	91571ECSP	
52	PANEL FRONT UPPER	91517ECSP	
53	PANEL FRONT LOWER	90516ECSP	
54	PANEL VALVE COVER	915133ECSP	
55	PANEL CASE SIDE	905112ECSP	
57	PANEL CASE SIDE LH	91515ECSP	
58	PANEL AIR GUIDE FRONT	905141SP	
59	PANEL REAR AIR GUIDE 60MJ	90572SP	
	PANEL REAR AIR GUIDE 75&90	905142SP	
	PANEL REAR AIR GUIDE 110MJ	90534SP	
60	PANEL ELECTRICS COVER	91514ECSP	
61	PANEL CASE TOP	91516ECSP	
	SEAL LID ASSY	9041921SP	



# REPLACEMENT PARTS MANUAL



Date Issued <b>20-May-01</b>	Product Section Details <b>VULCAN CENTRAL HEATING: HIGH EFFICIENCY EXTERNAL</b>	Section No <b>H10.04</b>
Issue Status <b>B</b>	N-2 RF CONTROL & N1.5 HARD WIRED CONTROL MODELS: HX80, HX100, HX120, HX135 : NG & LPG	Page <b>5</b>





# REPLACEMENT PARTS MANUAL



Date Issued <b>20-May-01</b>	Product Section Details <b>VULCAN CENTRAL HEATING: HIGH EFFICIENCY EXTERNAL</b>	Section No <b>H10.04</b>
Issue Status <b>B</b>	N-2 RF CONTROL & N1.5 HARD WIRED CONTROL MODELS: HX80, HX100, HX120, HX135 : NG & LPG	Page <b>6</b>

ITEM NUMBER	DESCRIPTION	PART NUMBER	COMMENTS
	SCREW NO 8	S01946SP	Common Assembly Screw
	ACCESSORIES		
	GAS COCK 3/4" NG	9041910SP	
	GAS COCK 1/2" LPG	9042822SP	
	PIPE INLET 3/4" NG	9241858SP	
	PIPE INLET 1/2" LPG	9242809SP	
	FLUE TERMINAL EXT	9051819SP	
	SPECIAL COMMENT		
	9241849SP CONTROL BOX NEWTRONICS		
	5001326SP CONTAINS CONTROL BOX, AN		
	5001328SP CONTAINS CONTROL BOX ON		
	ALL NEWTRONICS COMPONENTS WILL B		
	WHEN STOCK DEPLETED		