



# REPLACEMENT PARTS MANUAL



Date Issued  
**24/0602**

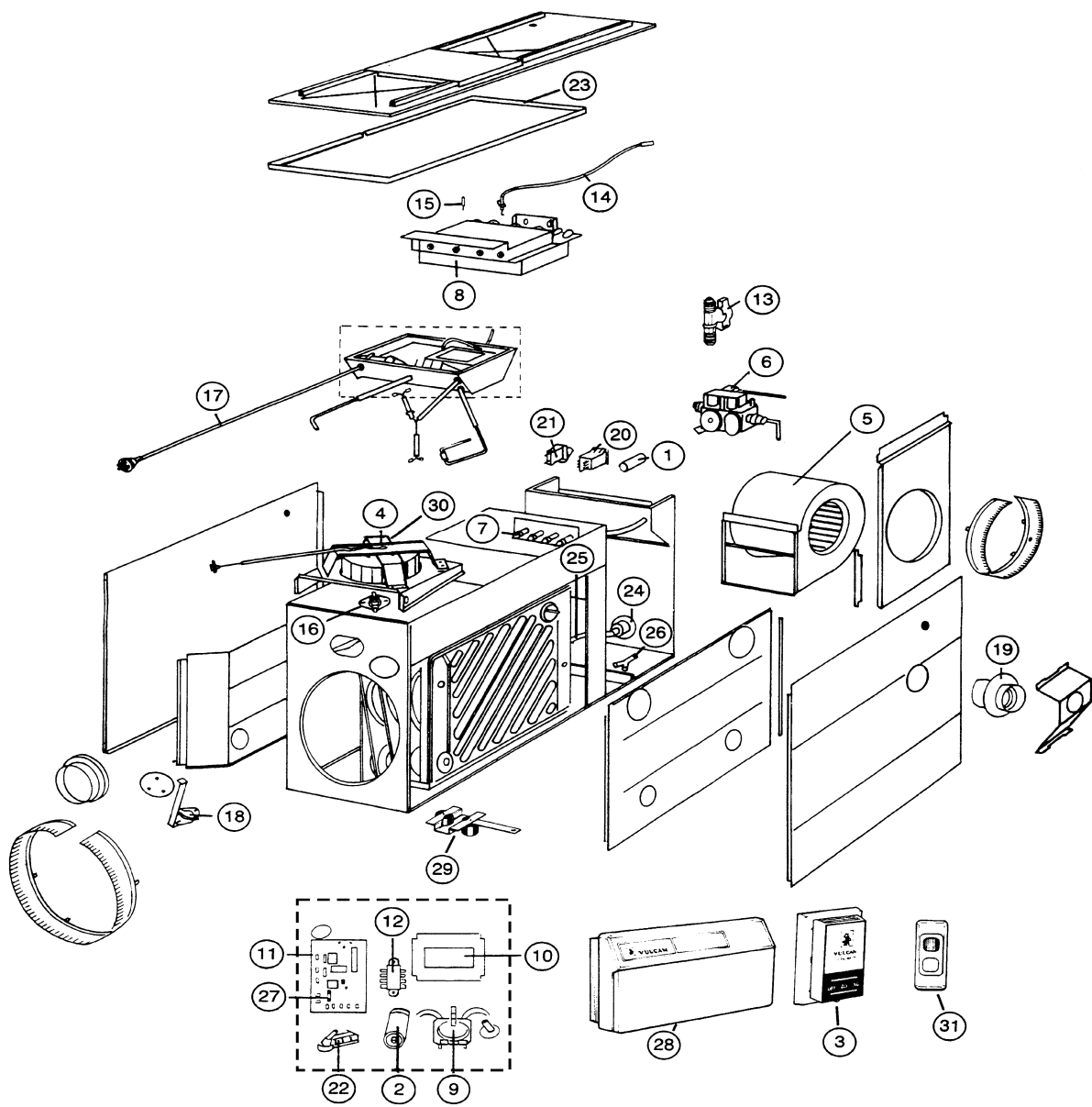
Product Section Details  
**Powerhouse A & B Series**

Section No  
**H10.01**

Issue Status  
**C**

HZ Internal Models

Page  
**1**





# REPLACEMENT PARTS MANUAL



Date Issued <b>24/0602</b>	Product Section Details <b>Powerhouse A &amp; B Series</b>	Section No <b>H10.01</b>
Issue Status <b>C</b>	HZ Internal Models	Page <b>2</b>

ITEM NUMBER	DESCRIPTION	PART NUMBER	COMMENTS
1	CAPACITOR 8uf 4 MALE TERM.	9041888SP	HZ80,100,120
	CAPACITOR 15uf	9043821SP	HZ120XA, 145
	CAPACITOR 20uf	9063800SP	HZ145XA
2	CAPACITOR 1.5uf 2FLY LEADS	2565811SP	
3	THERMOSTAT HONEYWELL 24V	380152HSP	
	SWITCH REMOTE SUMMER FAN	9041853SP	Not shown
4	FAN ASSY COMBUSTION MOD.	5000803SP	
5	FAN ASSY 250W 3 SPEED	9051813SP	HZ80,100,120
	FAN ASSY 600W 3 SPEED	9043820SP	HZ120XA, 145
	FAN ASSY 700W VARIABLE SPD	9263802SP	HZ145XA
6	VALVE TWIN SOLENOID	9041902SP	
	REGULATOR GAS	N.L.A	
	VALVE TWIN SOLENOID	9041902SP	NG
	VALVE TWIN SOLENOID SIT NG	9041926SP	NG
	VALVE TWIN SOLENOID	9042820SP	LPG
7	JET BURNER NG 2.94MM	9041904SP	NG
	JET BURNER LPG 1.5MM	9042821SP	LPG
8	BURNER ASSY	N.L.A	
9	PRESSURE SWITCH INT (RED)	9041987SP	
10	DIRECT SPARK IGNITOR MODUL	9041907SP	Scarico
11	CONTROL BOARD TIMER	N.L.A	HZ80,100,120,120XA,145
	CONTROL BOARD TIMER	906320SP	HZ145XA
	CONTROL BOARD 750W N1	9063813SP	SEE SPECIAL NOTES
12	TRANSFORMER	N.L.A	
13	GAS COCK 3/4" NG	9041910SP	NG
	GAS COCK 1/2" LPG	9042822SP	LPG
14	ELECTRODE IGNITOR	9041912SP	
15	ELECTRODE FLAME SENSOR	9041913SP	
16	THERMOSTAT MAN RESET C/OUT	9041914SP	
17	SERVICE LEAD	9041915SP	
18	THERMOSTAT OUTLET AIR	9041916SP	
19	CONNECTOR FLUE OUTLET	9041917SP	
20	SWITCH FAN SPEED	9041918SP	
21	SWITCH ROCKER NEON	0162372SP	Manual (within unit)
22	TERMINAL BLOCK MAINS INPUT	9041920SP	
23	SEAL LID ASSY	9041921SP	
24	OUTLET CONDENSATE DRAIN	9041922SP	
25	PIPE CONDENSATE	9041923SP	
26	Y PIECE CONDENSATE	9041924SP	
27	FUSE 8A SLOW BLOW	9041928SP	
	COIL ASSY SIT GAS VALVE	9041929SP	Not shown
	COIL ASSY MCLAREN	N.L.A	Not shown
28	THERMOSTAT ELECTRONIC PROG	5311022SP	



# REPLACEMENT PARTS MANUAL



Date Issued  
**24/0602**

Product Section Details

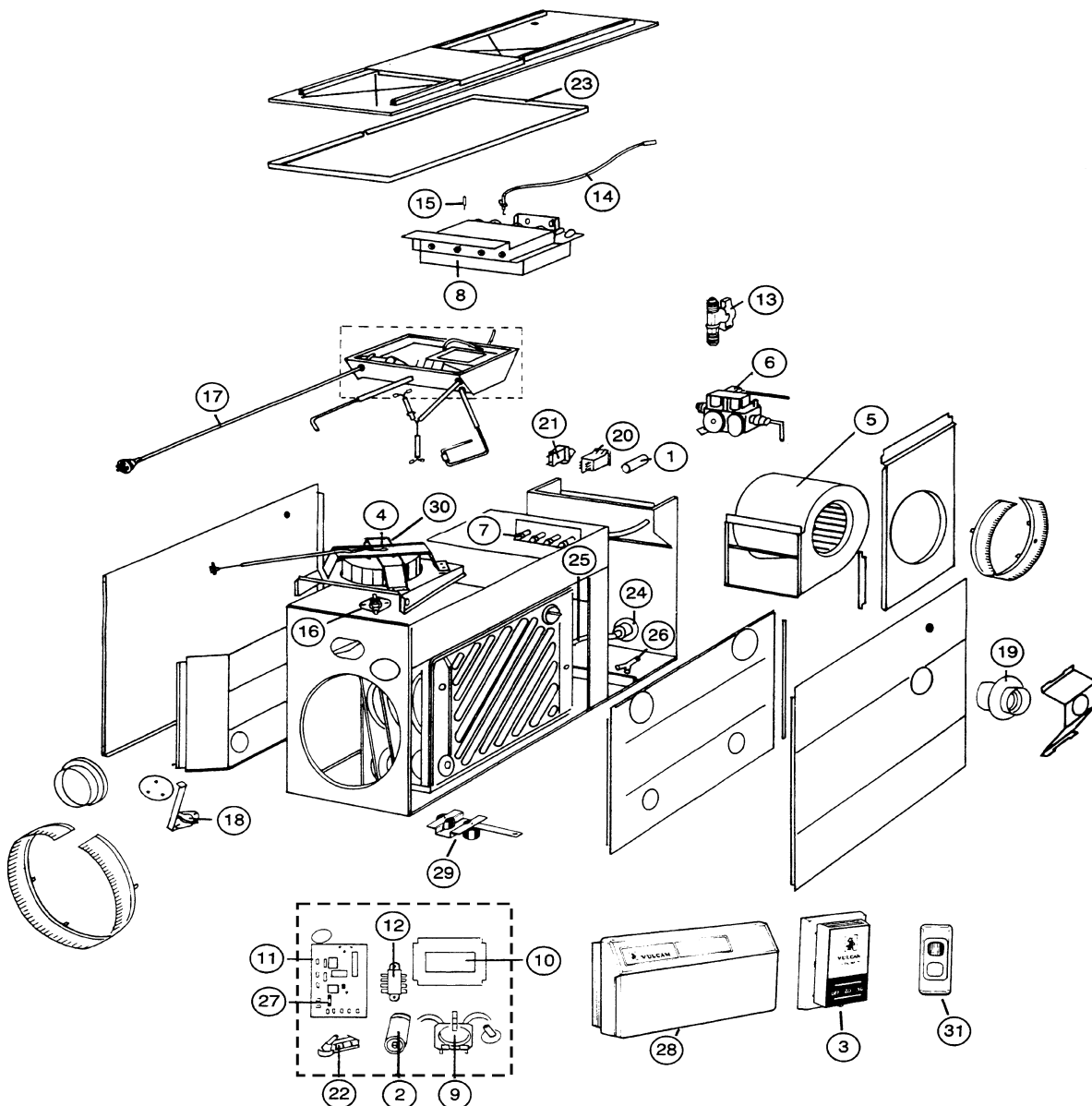
Section No  
**H10.01**

Issue Status  
**C**

**Powerhouse A & B Series**

HZ Internal Models

Page  
**3**



© Copyright 2001



# REPLACEMENT PARTS MANUAL



Date Issued <b>24/0602</b>	Product Section Details <b>Powerhouse A &amp; B Series</b>	Section No <b>H10.01</b>
Issue Status <b>C</b>	HZ Internal Models	Page <b>4</b>

ITEM NUMBER	DESCRIPTION	PART NUMBER	COMMENTS
29	RESILIENT MOUNT	N.L.A	
	CONVERSION KIT LPG TO NG	9042825SP	Not shown
30	BRACKET FAN MOUNTING	9041898SP	
31	SWITCH REMOTE LOCKOUT RESET	9041946SP	Architrav Switch
	SWITCH REMOTE LOCKOUT RESET	N.L.A	Honeywell Electronic plus DSI
	SWITCH REMOTE LOCKOUT RESET	9041973SP	Honeywell Electronic plus DSI plus ECO
	SPECIAL NOTES		
	9063813SP IS REPLACED WITH 5311205S		
	Eco models will loose ECO facilities		