



REPLACEMENT PARTS MANUAL

Date Issued
1-Mar-12

Issue Status
B

Product Section Details

High-Efficiency Ducted Gas Central Heating

External Models

Section No
10.14

Page



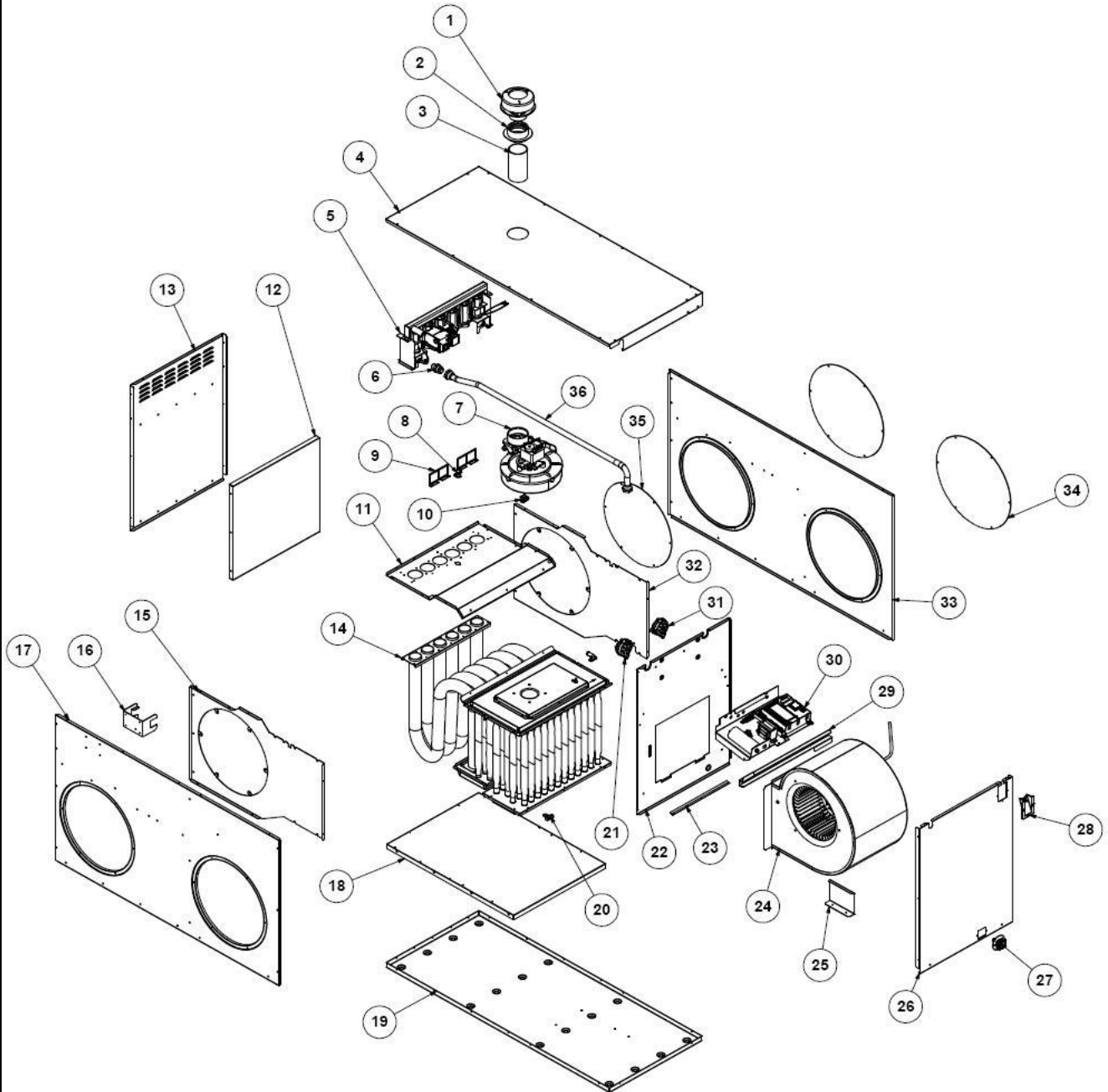
Products

5430096	MB5 14E 14kW EXT NG 5 STAR
5440096	MB5 20E 20kW EXT NG 5 STAR
5440098	MB5 20E 20kW EXT LPG 5 STAR
5460096	MB5 30E 30kW EXT NG 5 STAR
5460098	MB5 30E 30kW EXT LPG 5 STAR



REPLACEMENT PARTS MANUAL

Date Issued 1-Mar-12	Product Section Details High-Efficiency Ducted Gas Central Heating	Section No 10.14
Issue Status B	MB5 External 14kW, 20kW, 30kW	Page 1





REPLACEMENT PARTS MANUAL

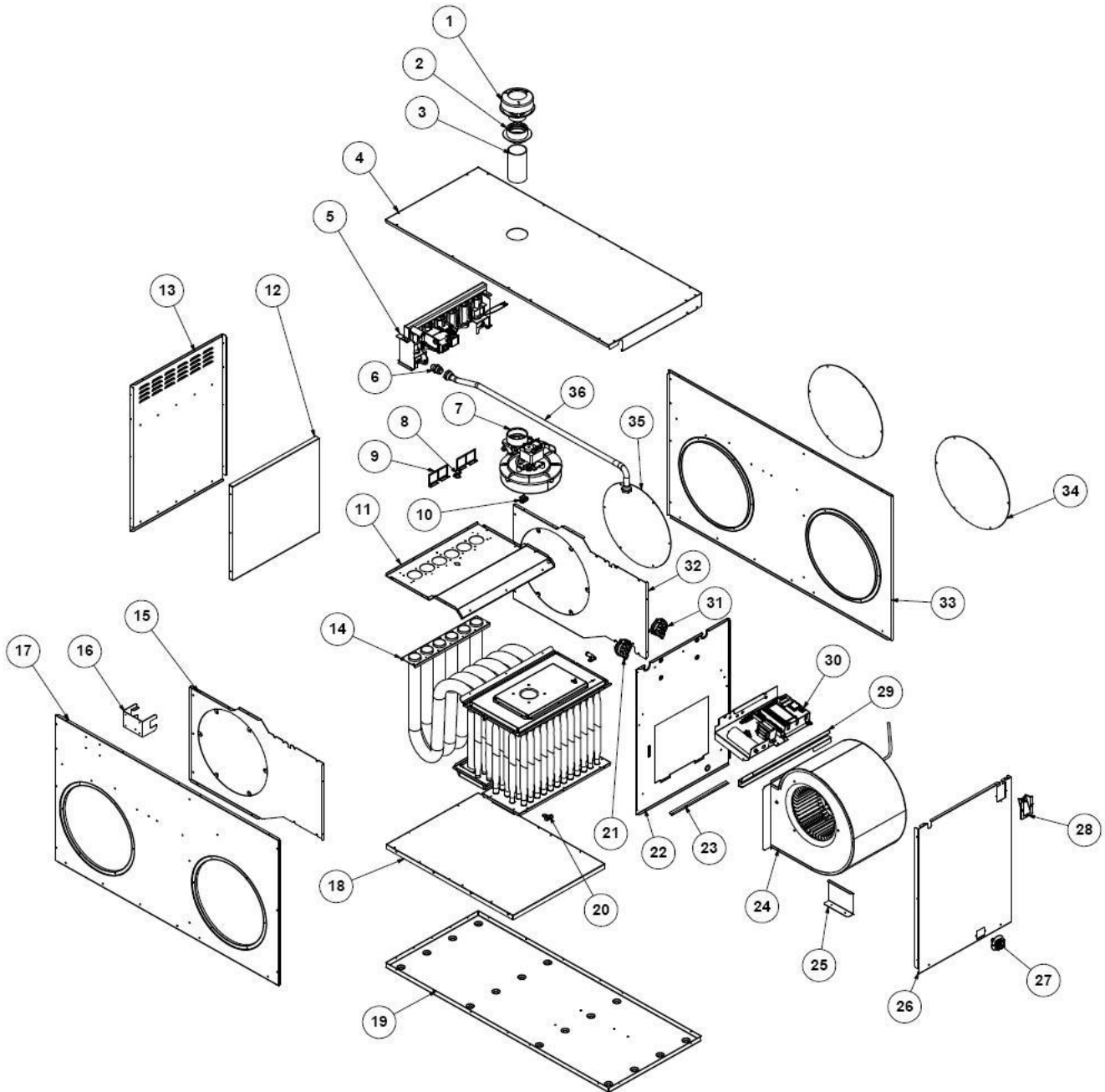
Date Issued 1-Mar-12	Product Section Details High-Efficiency Ducted Gas Central Heating	Section No 10.14
Issue Status B	MB5 External 14kW, 20kW, 30kW	Page 2

ITEM NUMBER	DESCRIPTION	PART NUMBER	COMMENTS
1	COWL ASSY	9241855SP	
2	CONNECTOR FULE COWL OUTLET	9041917SP	
3	FLUE PVC PIPE		
4	PANEL LID MB5 EXTERNAL	5440177SP 5460177SP	14kW, 20kW 30kW
5	BURNER ASSEMBLY		REFER PAGE 5
6	MALE REDUCER	H6001107SP	
7	COMBUSTION FAN ASSEMBLY MB5	5440815SP	
8	SWITCH OVER TEMPERATURE 120°C	5431606SP	
9	FLAME SHIELD	5442010SP	
10	CONDENSATE FITTING ANGLE	5440904SP	
11	PANEL SEPARATION MB5	5430162SP 5440162SP 5460162SP	14kW 20kW 30kW
12	AIR DEFL END MB5 EXTERNAL	5430248SP 5440248SP 5460248SP	14kW 20kW 30kW
13	PANEL FRONT MB5 EXTERNAL	5440178SP 5460178SP	14kW, 20kW 30kW
14	HEAT EXCHANGER ASSEMBLY MB5	5430308SP 5440308SP 5460308SP	14kW REFER PAGE 9 20kW REFER PAGE 9 30kW REFER PAGE 9
15	AIR DEFL LH SIDE MB5 EXTERNAL	5440247SP 5460247SP	14kW, 20kW 30kW
16	BRACKET MOUNTING VALVE	5442020SP	
17	PANEL LH SIDE MB5 EXTERNAL	5440181SP 5460181SP	14kW, 20kW 30kW
18	AIR DEFL BASE MB5	5440244SP 5460244SP	14kW, 20kW 30kW
19	PANEL BASE MB5 EXTERNAL	5440175SP 5460175SP	14kW, 20kW 30kW
20	CONDENSATE FITTING 90°	4740901SP	
21	PRESSURE SWITCH MB5 170Pa	5431208SP	
22	PANEL FAN MOUNT MB5 EXTERNAL	5440184SP 5460184SP	14kW, 20kW 30kW
23	BRACKET PANEL FAN MOUNT	5442012SP	
24	FAN 250W 74 LAM FAN ASSY 600W	5430804SP 5000806SP	14kW, 20kW 30kW
25	BRACKET FAN SUPPORT MB5	5462009SP	
26	PANEL REAR MB5 EXTERNAL	5440182SP 5460182SP	14kW, 20kW 30kW
27	CONDEN DRAIN FITTING ASSEMBLY	5110921SP	



REPLACEMENT PARTS MANUAL

Date Issued 1-Mar-12	Product Section Details High-Efficiency Ducted Gas Central Heating	Section No 10.14
Issue Status B	MB5 External 14kW, 20kW, 30kW	Page 3





REPLACEMENT PARTS MANUAL

Date Issued 1-Mar-12	Product Section Details High-Efficiency Ducted Gas Central Heating	Section No 10.14
Issue Status B	MB5 External 14kW, 20kW, 30kW	Page 4

ITEM NUMBER	DESCRIPTION	PART NUMBER	COMMENTS
28	WATER SHIELD	5440108SP	
29	BRACKET FAN STIFFENER MB5	5442015SP	14kW, 20kW
		5462015SP	30kW
30	ELECTRICAL ASSEMBLY	5441611SP	REFER PAGE 7
31	PRESSURE SWITCH MB5 120Pa	5431207SP	
32	AIR DEFL RH SIDE MB5 EXTERNAL	5440246SP	14kW, 20kW
		5460246SP	30kW
33	PANEL RH SIDE MB5 EXTERNAL	5440179SP	14kW, 20kW
		5460179SP	30kW
34	COVER PLATE 12" EXTERNAL	5110128SP	14kW, 20kW
	COVER PLATE 14" EXTERNAL	5110138SP	30kW
35	AIR DEFL FILLER EXTERNAL	5440209SP	14kW, 20kW
		5460209SP	30kW
36	PIPE VALVE INLET MB5 EXTERNAL	5460922SP	



REPLACEMENT PARTS MANUAL

Date Issued
1-Mar-12

Product Section Details

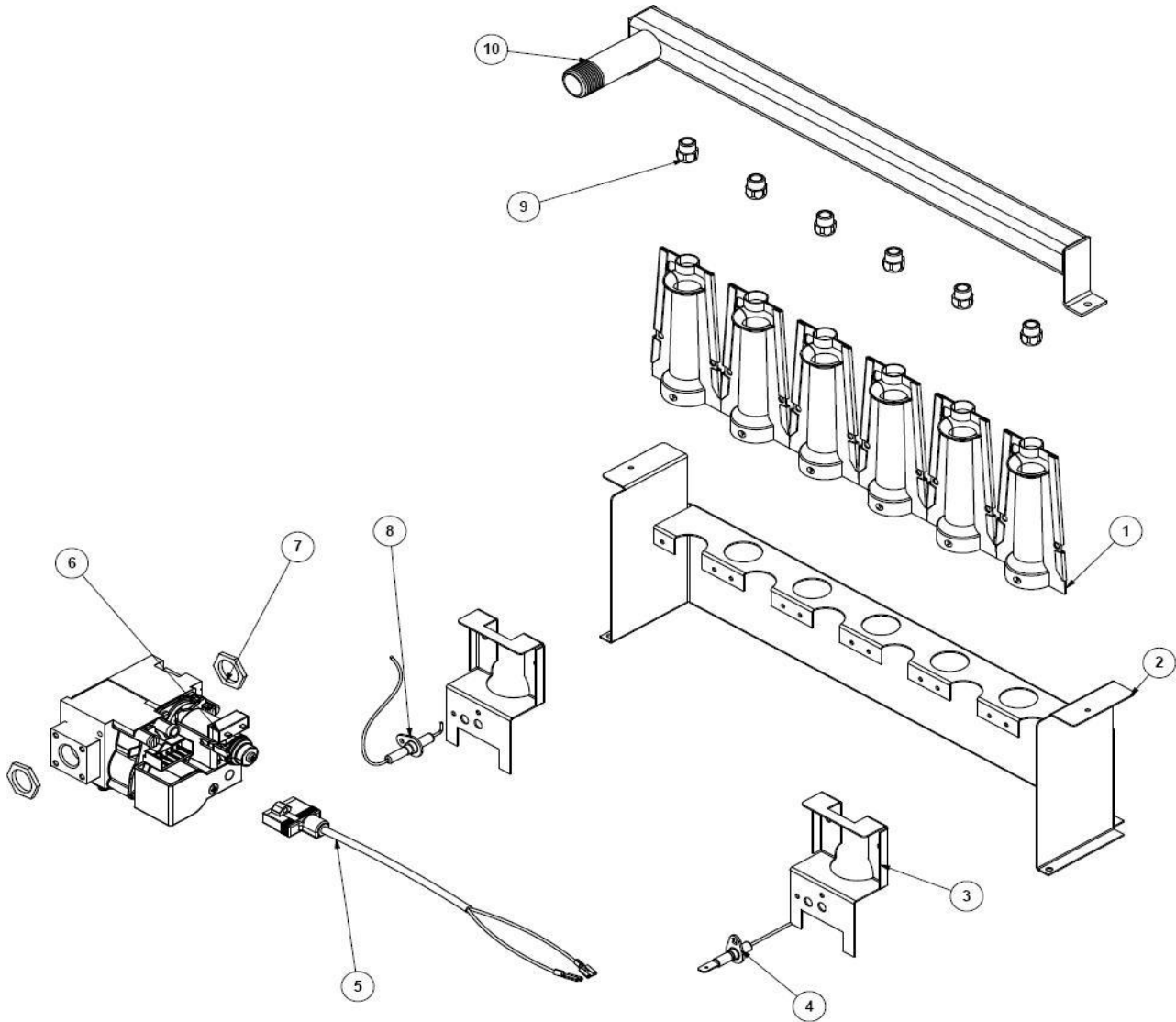
Section No
10.14

Issue Status
B

High-Efficiency Ducted Gas Central Heating

MB5 External
14kW, 20kW, 30kW

Page
5





REPLACEMENT PARTS MANUAL

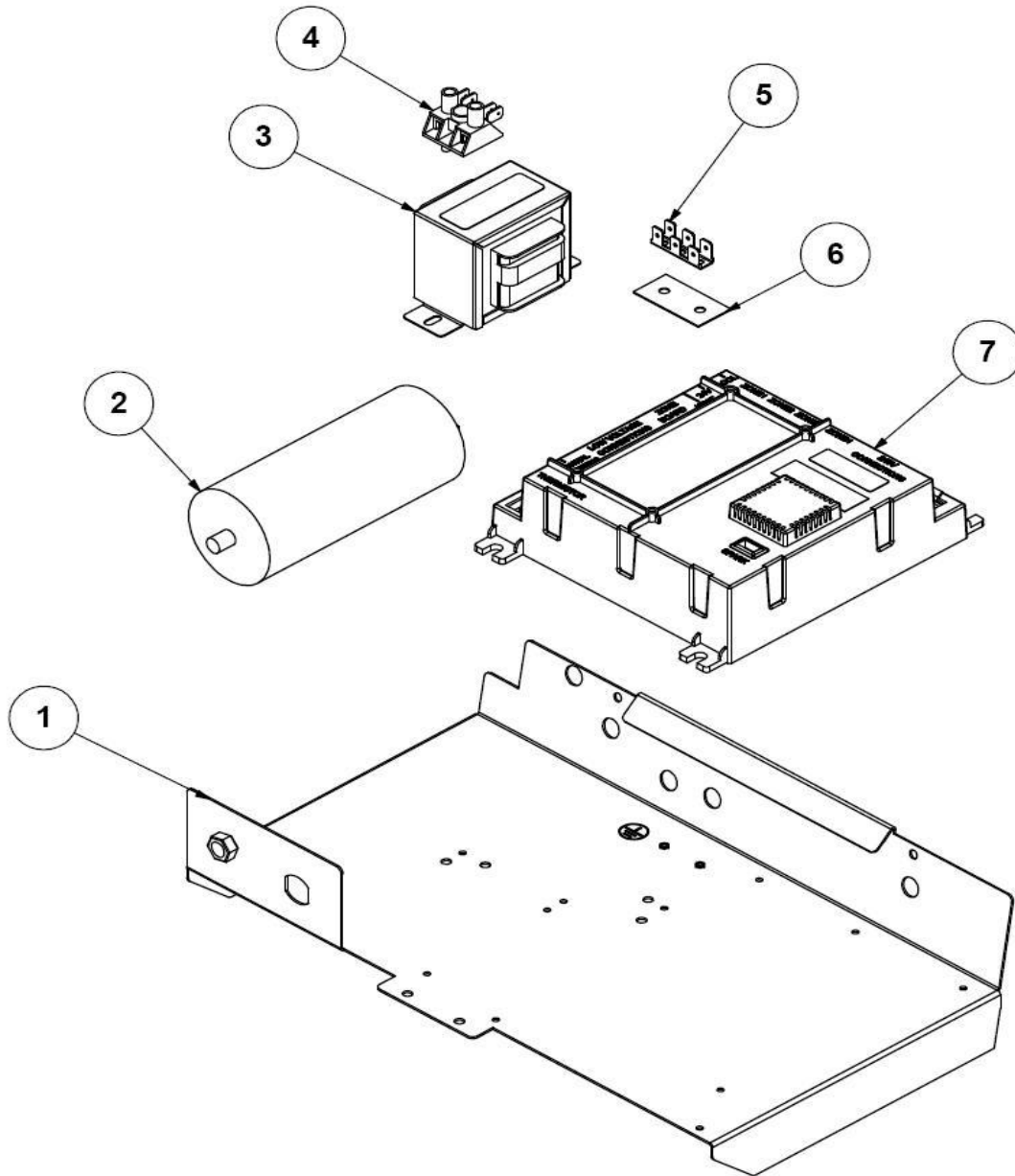
Date Issued 1-Mar-12	Product Section Details High-Efficiency Ducted Gas Central Heating	Section No 10.14
Issue Status B	MB5 External 14kW, 20kW, 30kW	Page 6

ITEM NUMBER	DESCRIPTION	PART NUMBER	COMMENTS
1	BNR BECKETT X756-1 W0118	5110601SP	
2	BURNER BOX MB5	5430134SP	14kW
		5440135SP	20kW
		5460132SP	30kW
3	BRACKET IGNITER	5442004SP	
4	FLAME SENSOR	5441603SP	
5	HARNESS SIGMA 845 24V	5431609SP	
6	VALVE MODULATING 24V	5440702SP	
7	LOCK NUT 1/2BSP BRASS	0141270SP	
8	IGNITER ELECTRODE	5441602SP	
9	INJECTOR 2.15mm	0081049SP	
	INJECTOR 1.25mm	0081031SP	LPG MODEL
10	MANIFOLD	5430908SP	14kW
		5440910SP	20kW
		5110903SP	30kW



REPLACEMENT PARTS MANUAL

Date Issued 1-Mar-12	Product Section Details High-Efficiency Ducted Gas Central Heating	Section No 10.14
Issue Status B	MB5 External 14kW, 20kW, 30kW	Page 7



13



14



8



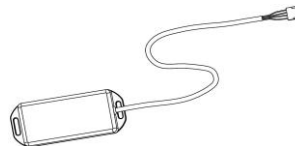
9



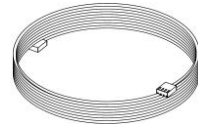
10



11



12



© Copyright 2012



REPLACEMENT PARTS MANUAL

Date Issued
1-Mar-12

Product Section Details

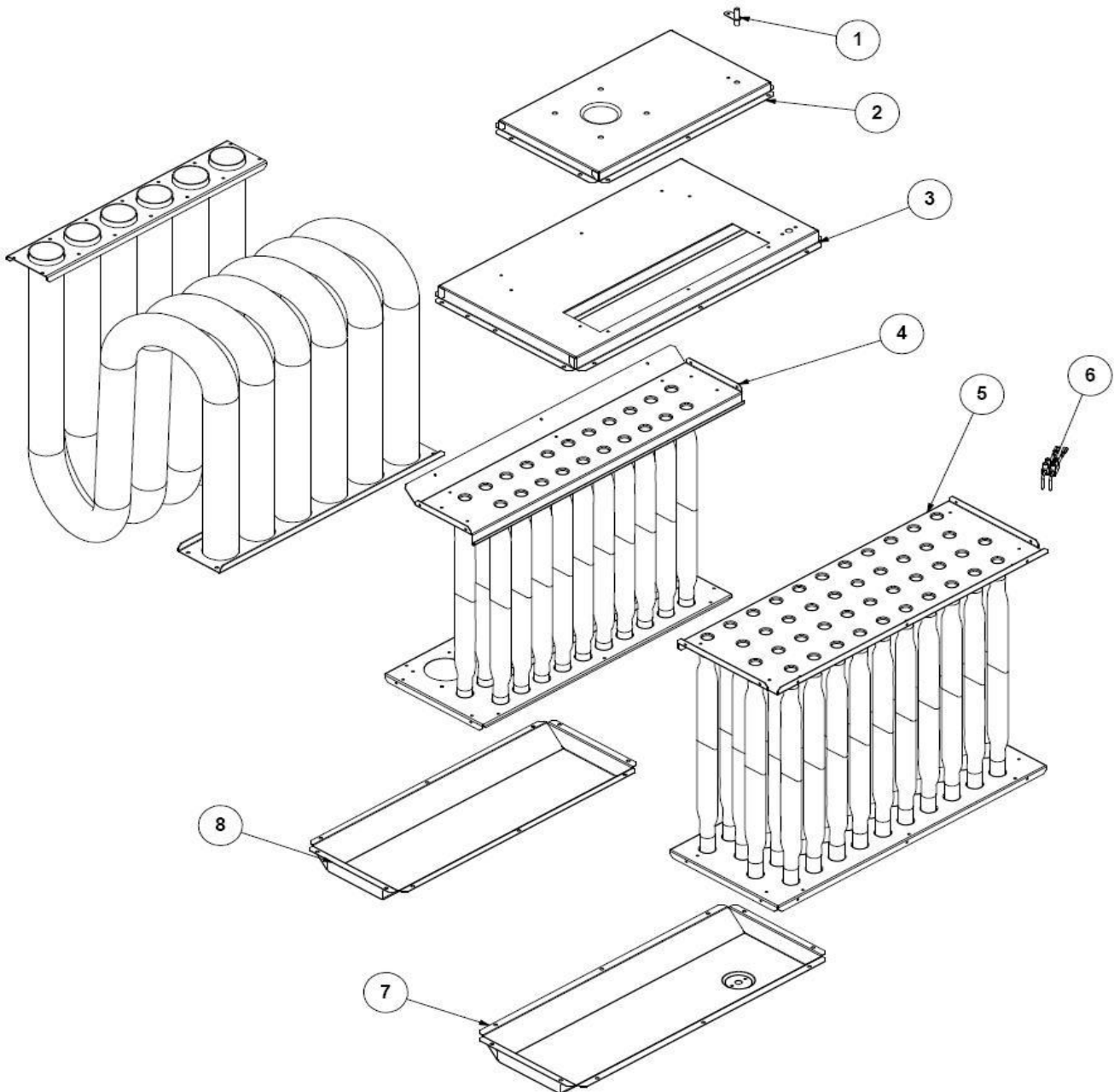
Section No
10.14

Issue Status
B

High-Efficiency Ducted Gas Central Heating

MB5 External
14kW, 20kW, 30kW

Page
9



© Copyright 2012

Manufactured by: Climate Technologies ABN 13 001 418 042



REPLACEMENT PARTS MANUAL

Date Issued 1-Mar-12	Product Section Details High-Efficiency Ducted Gas Central Heating	Section No 10.14
Issue Status B	MB5 External 14kW, 20kW, 30kW	Page 10

ITEM NUMBER	DESCRIPTION	PART NUMBER	COMMENTS
1	TAPPING PRESSURE	5440912SP	
2	BOX COMBUSTION MB5	5430161SP	14kW
		5440161SP	20kW
		5460161SP	30kW
3	TOP BOX SECONDARY HX ASSEMBLY	5440319SP	14kW, 20kW
		5460319SP	30kW
4	SECONDARY HEAT EXCH SMALL MB5	5430306SP	14kW
		5440306SP	20kW
		5460306SP	30kW
5	SECONDARY HEAT EXCH MB5	5430307SP	14kW
		5440307SP	20kW
		5460307SP	30kW
6	CONDENSATE SENSOR MB5	5441620SP	
7	BOX COLLECTION MB5	5430140SP	14kW
		5440140SP	20kW
		5460140SP	30kW
8	BOTTOM BOX SECON HX SMALL MB5	5430138SP	14kW
		5440138SP	20kW
		5460138SP	30kW
	HEAT EXCH ASSY MB5 3 BNR	5430308sp	14kW
	HEAT EXCH ASSY MB5 4 BNR	5440308sp	20kW
	HEAT EXCH ASSY MB5 6 BNR	5460308sp	30kW



REPLACEMENT PARTS MANUAL

Date Issued 1-Mar-12	Product Section Details High-Efficiency Ducted Gas Central Heating	Section No 10.14
Issue Status B	MB5 External 14kW, 20kW, 30kW	Page 11



“Excelling today for a better tomorrow”

Text and Illustration Copyright Climate Technologies 2012

All rights reserved. No part of this document may be reproduced or transmitted in any form or by any means, electronic or mechanical, including photocopying, recording or by any information storage and retrieval system, without prior permission in writing from Climate Technologies

In the interest of continued product improvement Climate Technologies reserves the right to alter specifications without notice. E.&O.E.