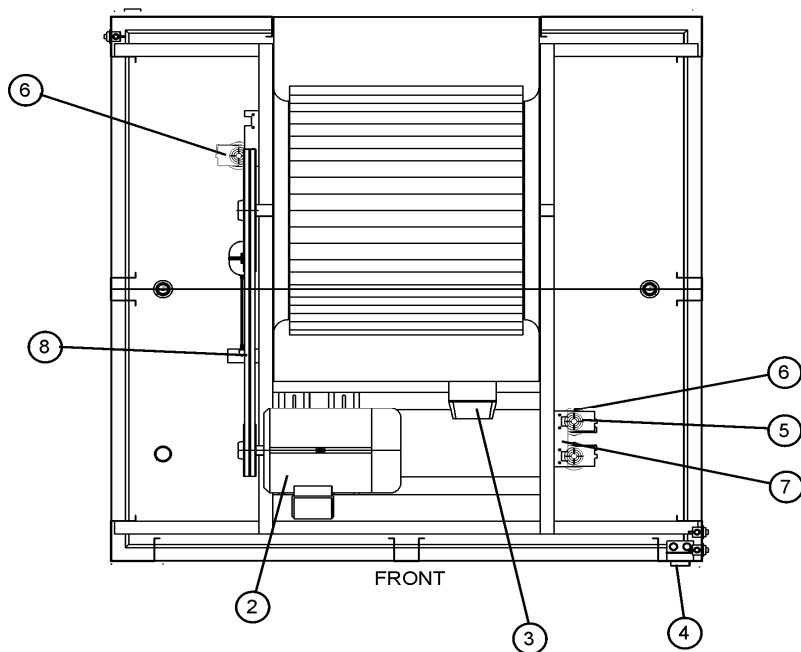
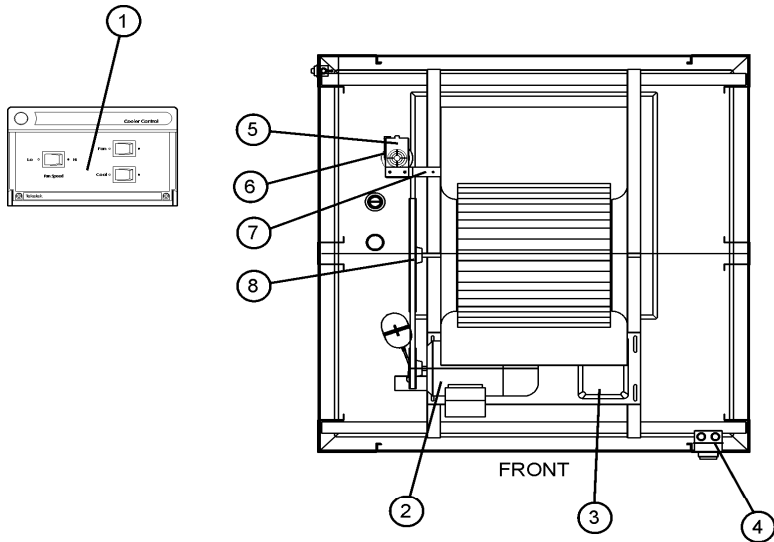




REPLACEMENT PARTS MANUAL

Date Issued 1-Nov-16	Product Section Details Commercial E.A.C. - Large Centrifugal	Section No C8.02
Issue Status D	600C, 700C, 800C, 900C, 1200C, 1500C, 1700C, 1900C October 1999 Release	Page 1





REPLACEMENT PARTS MANUAL

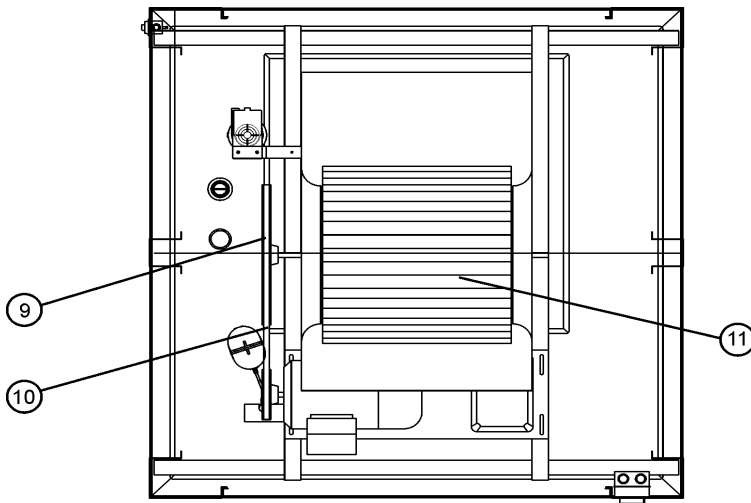
Date Issued 1-Nov-16	Product Section Details Commercial E.A.C. - Large Centrifugal	Section No C8.02
Issue Status D	600C, 700C, 800C, 900C, 1200C, 1500C, 1700C, 1900C October 1999 Release	Page 2

ITEM NUMBER	DESCRIPTION	PART NUMBER	COMMENTS
1	WALL SWITCH TEK 287	120040SP	All Models
2	MOTOR 2 SPEED 1.5KW 3 PHASE	115065SP	600C
	MOTOR 2 SPEED 2.2KW 3 PHASE	115070SP	700C -800C
	MOTOR 2 SPEED 4.0KW 3 PHASE	115075SP	900C -1200C
	MOTOR 2 SPEED 7.5KW 3 PHASE	115080SP	1400C
	MOTOR 2 SPEED 10.0KW 3 PHASE	115085SP	1500C -1700C
	MOTOR 2 SPEED 15.0KW 3 PHASE	115090SP	1900C
3	STARTER 1.5KW DOL HIGH/LOW	120600SP	600C
	STARTER 2.2KW DOL HIGH/LOW	120601SP	700C -800C
	STARTER 4KW DOL HIGH/LOW	120602SP	900C -1200C
	STARTER 7.5KW DOL HIGH/LOW	120603SP	1400C
	STARTER BOX - 10.0kW	120604SP	1500C -1700C
	STARTER BOX 15.0KW	120605SP	1900C
	CONTACTOR - HIGH/LOW	120620SP	600C -1700C
	CONTACTOR - HIGH	120621SP	1500C -1700C
	CONTACTOR - HIGH	120621SP	1400C
	CONTACTOR - HIGH	120622SP	1900C
	CONTACTOR - HIGH	120622SP	1700C -1900C
	OVERLOAD - 1.5kW HIGH	120630SP	600C
	OVERLOAD - 1.5kW LOW	120640SP	600C
	OVERLOAD - 2.2kW HIGH	120631SP	700C -800C
	OVERLOAD TK-3N-1.7	120641SP	700C -800C
	OVERLOAD - 4.0kW HIGH	120632SP	900C -1200C
	OVERLOAD - 1.5kW HIGH	120630SP	900C -1200C
	OVERLOAD - 8.0kW HIGH	120633SP	1400C
	OVERLOAD - 8.0kW LOW	120643SP	1400C
	OVERLOAD - 10.0kW HIGH	120634SP	1500C -1700C
	OVERLOAD - 10.0 kW LOW	120644SP	1500C -1700C
	OVERLOAD - 15.0kW HIGH	120635SP	1900C
	OVERLOAD - 15.0kW LOW	120645SP	1900C
	FUSE 10AMP	120655SP	
4	CONTROL ISOLATION SWITCH	120581SP	600C -1500C
	CONTROL ISOLATION SWITCH NHP	120583SP	1700C -1900C
5	PUMP ASSEMBLY JRM 50	150015SP	600C -1700C
	PUMP ASSEMBLY JRM50.9A SPECIAL	152020SP	1900C
6	STRAINER	6050811SP	All Models
7	BRACKET PUMP	1105130SP	600C -700C
	BRACKET PUMP	1105030SP	800C -900C
	BRACKET PUMP	1103228SP	1200C -1500C
	BRACKET PUMP	1103330SP	1700C -1900C
8	PULLEY FAN 16" 1B AL 35MM	135051SP	600C -700C
	PULLEY FAN 18" 2B AL 35MM	135090SP	800C -1500C
	PULLEY FAN 182B AL 45MM	135088SP	1700C -1900C



REPLACEMENT PARTS MANUAL

Date Issued 1-Nov-16	Product Section Details Commercial E.A.C. - Large Centrifugal	Section No C8.02
Issue Status D	600C, 700C, 800C, 900C, 1200C, 1500C, 1700C, 1900C October 1999 Release	Page 3





REPLACEMENT PARTS MANUAL

Date Issued 1-Nov-16	Product Section Details Commercial E.A.C. - Large Centrifugal	Section No C8.02
Issue Status D	600C, 700C, 800C, 900C, 1200C, 1500C, 1700C, 1900C October 1999 Release	Page 4

ITEM NUMBER	DESCRIPTION	PART NUMBER	COMMENTS
9	PULLEY MOTOR 4.5x1Bx28MM	135040SP	700C
	PULLEY MOTOR 4" 1B AL 28MMBORE	135035SP	600C
	PULLEY MOTOR 4"X2BXALX28MM	135060SP	800C
	PULLEY MOTOR 4.5"X2BX38MM	135070SP	900C
	PULLEY MOTOR 3.5"X2BX38MM	135065SP	1200C
	PULLEY MOTOR 4"2B AL 42MM	135062SP	1400C
	PULLEY MOTOR 5.0" 2B 42MM	1135051SP	1500C
	PULLEY MOTOR 4.5"PCD 2B CI 48M	1135049SP	1700C
	PULLEY MOTOR 4.5"PCD 2B CI 48M	1135049SP	1900C
	PULLEY MOTOR 125MMx3SPB T	135048SP	1900C
	PULLEY T/LOCK 5.0 SB X 42MM	135044SP	1500C
	PULLEY T/LOCK 4-1/2"2SPB*	135042SP	1700C
	BUSH TAPERLOCK - 42MM BORE	135310SP	1500C
	BUSH TAPERLOCK - 42MRN BORE	135300SP	1700C
BUSH TAPERLOCK - 48MM BORE	135312SP	1900C	
10	V BELT B75	135175SP	700CB
	V BELT B82	135179SP	700CS
	V BELT B86	135190SP	700CT
	V BELT B74	135174SP	600CB
	V BELT B82	135179SP	600CS
	V BELT B86	135190SP	600CT
	V BELT B84	135180SP	900CB
	V BELT B93	135207SP	900CS
	V BELT B97	135215SP	900CT
	V BELT B86	135190SP	800CB
	V BELT B93	135207SP	800CS
	V BELT B97	135215SP	800CT
	V BELT B91	135205SP	1200CB
	V BELT B110	135235SP	1200CS
	V BELT B107	135231SP	1200CT
	V BELT B90	135204SP	1400CB
	V BELT B110	135235SP	1400CS
	V BELT B106	135230SP	1400CT
	V BELT B91	135205SP	1500CB
	V BELT B112	135240SP	1500CS
V BELT B108	135232SP	1500CT	
V BELT B103	135220SP	1700CB	
V BELT B120	135260SP	1700CS	
V BELT B114	135245SP	1700CT	
V BELT B103	135220SP	1900CB	
V BELT B120	135260SP	1 900CS	
V BELT B114	135245SP	1 900CT	



REPLACEMENT PARTS MANUAL

Date Issued
1-Nov-16

Product Section Details

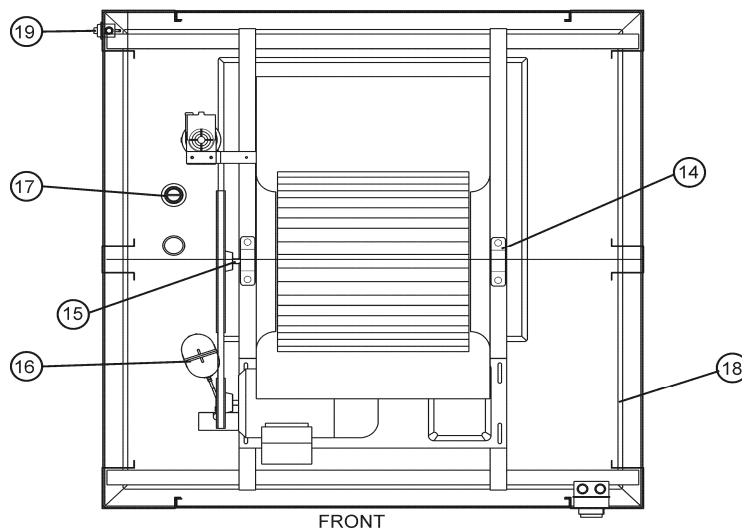
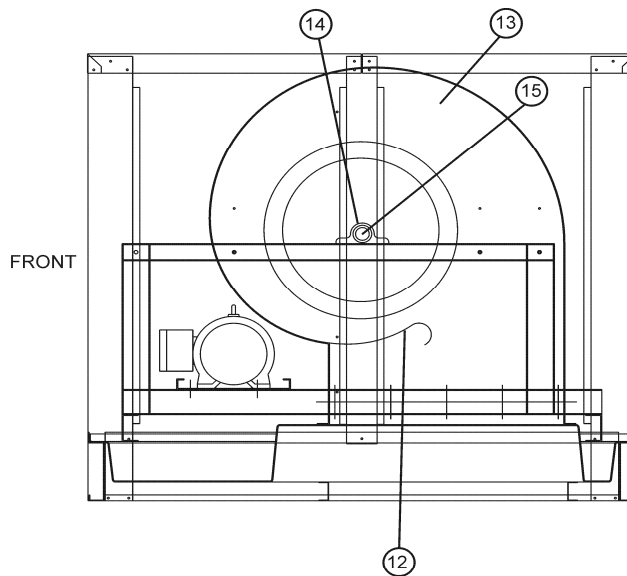
Section No
C8.02

Issue Status
D

Commercial E.A.C. - Large Centrifugal

600C, 700C, 800C, 900C, 1200C, 1500C, 1700C, 1900C
October 1999 Release

Page
5





REPLACEMENT PARTS MANUAL

Date Issued 1-Nov-16	Product Section Details Commercial E.A.C. - Large Centrifugal	Section No C8.02
Issue Status D	600C, 700C, 800C, 900C, 1200C, 1500C, 1700C, 1900C October 1999 Release	Page 6

ITEM NUMBER	DESCRIPTION	PART NUMBER	COMMENTS
11	BLOWER WHEEL 22"X22"X35MM	1205271SP	600C -700C
	BLOWER WHEEL 25"X25"X35MM	1205272SP	800C -900C
	BLOWER WHEEL 30"X30"X35MM	1205273SP	1200C -1500C
	BLOWER WHEEL 36"X 30" 45MM	1205099SP	1700C -1900C
12	BLOWER CUT OFF PLATE ASSY	1205176SP	600C -700C
	BLOWER CUT OFF PLATE ASSY	1205198SP	800C -900C
	BLOWER CUT OFF PLATE ASSY	1205403SP	1200C -1500C
	BLOWER CUT OFF PLATE ASSY	1205603SP	1700C -1900C
13	SCROLL PLASTIC 22"	1205381SP	600C -700C
	SCROLL PLASTIC	1205361SP	800C - 900CB
	SCROLL PLASTIC 25"	1205362SP	800C - 900CS
	SCROLL PLASTIC 25"	1205363SP	800C - 900CT
	SCROLL PLASTIC 30"	1205371SP	1200C - 1500CB
	SCROLL PLASTIC 30"	1205372SP	1200C -1500CS
	SCROLL PLASTIC 30"	1205373SP	1200C -1500CT
	SCROLL FIBREGLASS 30" X 36"	1205216SP	1700C - 1 900CB
SCROLL FIBREGLASS 30" X 36"	1205217SP	1700C - 1 900CS	
SCROLL FIBREGLASS 30" X 36"	1205218SP	1700C - 1 900CT	
14	BEARING KIT 35MM	135106SP	600C -1500C
	BEARING KIT 45MM	135111SP	1700C -1900C
15	SHAFT FAN PG STEEL 35mm	1105103SP	600C -700C
	SHAFT FAN PG STEEL 35mm	1105104SP	800C -900C
	SHAFT FAN PG STEEL 35MM	1105105SP	1200C -1500C
	SHAFT FAN PG STEEL 35MM	1105106SP	1700C -1900C
16	FLOAT VALVE 1/2"BSP HORIZONTAL	150205SP	600C -1500C
	FLOAT VALVE 3/4" BSP HORIZONTAL	150215SP	1700C -1900C
	NIPPLE MALE 3/4 "BSP	150170SP	1700C -1900C
	SOCKET FEMALE-1/4"BSP	150175SP	1700C -1900C
	BRACKET SLEEVE VALVE	1103332SP	1700C -1900C
17	DRAIN & OVERFLOW ASSEMBLY	1205127SP	All Models
18	PVC ASSEMBLY	1205090SP	600C - 900CB CT
	PVC ASSEMBLY	1205091SP	600C - 900CS
	PVC ASSEMBLY	1203051SP	1200C -1500C
	PVC ASSEMBLY LH	1203060SP	1700C
	PVC ASSEMBLY LH	1203250SP	1900C
	PVC ASSEMBLY RH	1203061SP	1700C
	PVC ASSEMBLY RH	1203251SP	1900C
19	DIALFLOW CONTROL VALVE	6050904SP	All Models
	PIGTAIL 150MM	150401SP	All Models
	CLIP - HOSE RC28	0120703SP	All Models
	HOSE BLEED 6MM	1105139SP	600C -900C
	HOSE BLEED 6MM	1105131SP	1200C -1900C
	HOSE TOP 20MM	1105134SP	600C -900C
	HOSE TOP 20MM	1105135SP	1200C -1500C



REPLACEMENT PARTS MANUAL

Date Issued
1-Nov-16

Product Section Details

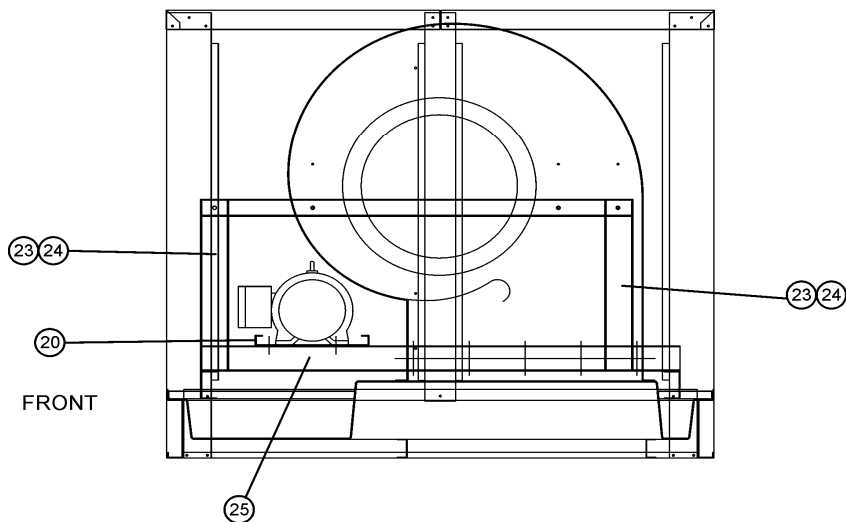
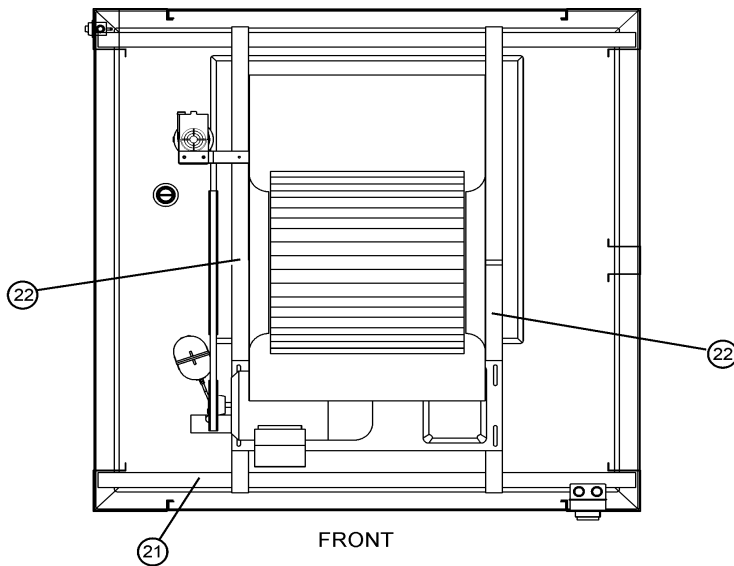
Section No
C8.02

Issue Status
D

Commercial E.A.C. - Large Centrifugal

600C, 700C, 800C, 900C, 1200C, 1500C, 1700C, 1900C
October 1999 Release

Page
7





REPLACEMENT PARTS MANUAL

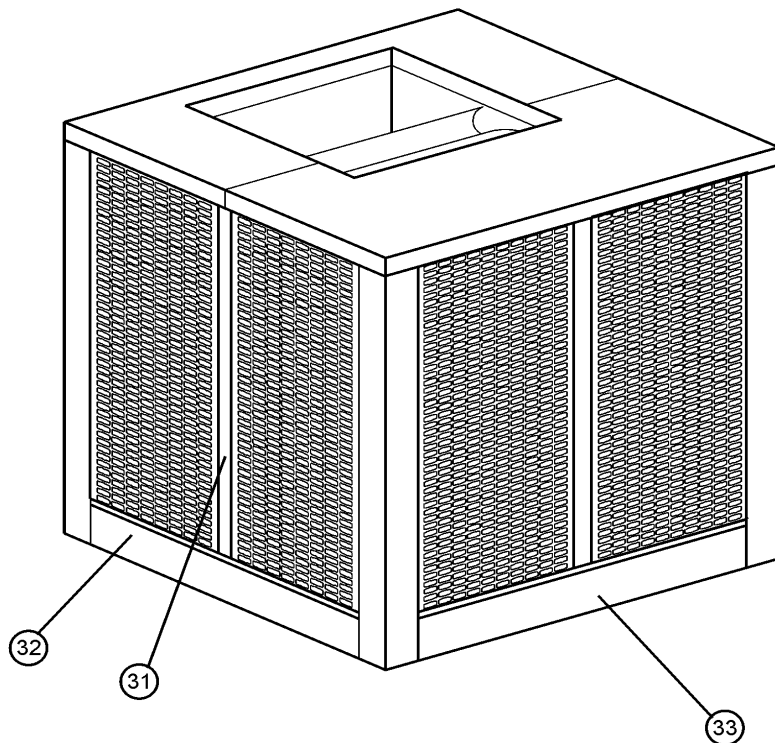
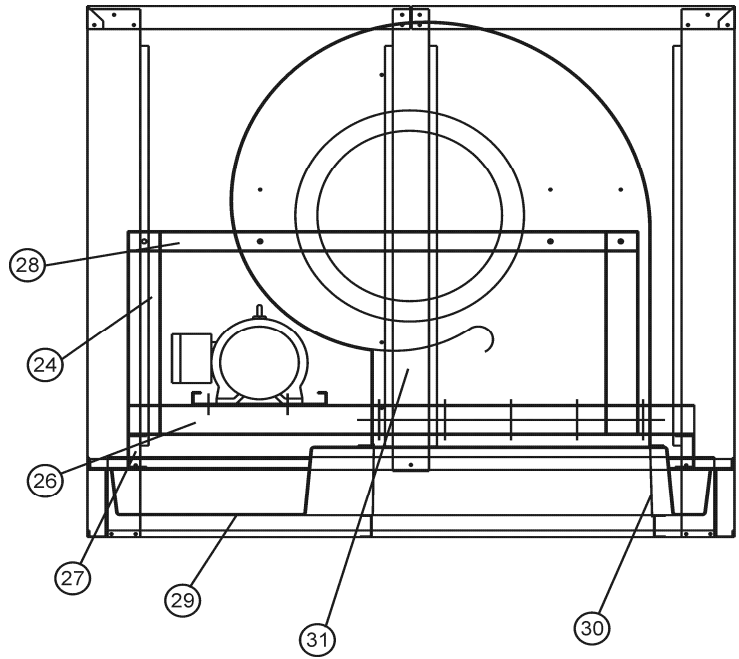
Date Issued 1-Nov-16	Product Section Details Commercial E.A.C. - Large Centrifugal	Section No C8.02
Issue Status D	600C, 700C, 800C, 900C, 1200C, 1500C, 1700C, 1900C October 1999 Release	Page 8

ITEM NUMBER	DESCRIPTION	PART NUMBER	COMMENTS
20	HOSE TOP 20MM	1105134SP	1700C -1900C
	HOSE TOP 20MM	1105134SP	600C -1500C
	HOSE BOTTOM 20MM	1105138SP	1700C -1900C
	MOTOR MOUNTING PLATE	1105212SP	600C -700C
	MOTOR MOUNTING PLATE	1105312SP	800C -900C
	MOTOR MOUNTING PLATE	1105422SP	1200C -1500C
	PANEL MOTOR MOUNTING STARTER	1105644SP	1700C -1900C
	PANEL FRONT BRACE	1103333SP	1700C -1900C
21	MOTOR SLIDE RAIL ASSEMBLY	1203346SP	1700C -1900C
	ADJUSTING BOLT	1103260SP	1700C -1900C
	MAIN SUPPORT CHANNEL	1105303SP	600C -900C
	MOTOR SLIDE SUPPORT RAIL	1105645SP	1700C -1900C
22	MOTOR SUPPORT RAIL SPACER	1103323SP	1700C -1900C
	MAIN SUPPORT MEMBER	1103596SP	1700C -1900C
	BLOWER SUPPORT RAIL LH	1105215SP	600C - 700CB
	BLOWER SUPPORT RAIL LH	1105222SP	600C - 700CS
	BLOWER SUPPORT RAIL LH	1105231SP	600C - 700CT
	BLOWER SUPPORT RAIL RH	1105286SP	600C - 700CB
	BLOWER SUPPORT RAIL RH	1105229SP	600C - 700CS
	BLOWER SUPPORT RAIL RH	1105223SP	600C - 700CT
	BLOWER SUPPORT RAIL LH & RH	1105315SP	800C - 900CB
	BLOWER SUPPORT RAIL LH & RH	1105322SP	800C - 900CS
	BLOWER SUPPORT RAIL LH & RH	1105323SP	800C - 900CT
	BLOWER SUPPORT RAIL	1103430SP	1200C - 1500CB
	BLOWER SUPPORT RAIL SD	1103433SP	1200C - 1500CS
	BLOWER SUPPORT RAIL	1105418SP	1200C - 1500CT
	BLOWER SUPPORT RAIL	1103381SP	1700C - 1900CB
	BLOWER SUPPORT RAIL	1103382SP	1700C - 1900CS
BLOWER SUPPORT RAIL	1103383SP	1700C - 1900CT	
BLOWER SUPPORT RAIL SPACER	1103230SP	1700C - 1900C	
23	VERTICAL MEMBER FR & RR	1103219SP	1200C - 1500CB
	VERTICAL MEMBER	1105434SP	1200C - 1500CS
	VERTICAL MEMBER	1105448SP	1200C - 1500CT
	VERTICAL MEMBER FRONT	1103324SP	1700C - 1 900CB
	VERTICAL MEMBER FRONT	1103325SP	1700C - 1 900CT
	VERTICAL MEMBER REAR	1103326SP	1700C - 1 900CB
	VERTICAL MEMBER REAR	1103327SP	1700C - 1 900CT
	VERTICAL MEMBER	1103329SP	1700C - 1 900CS
24	VERTICAL SUPPORT CHANNEL	1105239SP	600C - 700CB
	VERTICAL SUPPORT CHANNEL	1105221SP	600C - 700CS
	VERTICAL SUPPORT CHANNEL	1105224SP	600C - 700CT
	VERTICAL SUPPORT CHANNEL	1105355SP	800C - 900CB
	VERTICAL SUPPORT CHANNEL	1105321SP	800C - 900CS
	VERTICAL SUPPORT CHANNEL	1105324SP	800C - 900CT



REPLACEMENT PARTS MANUAL

Date Issued 1-Nov-16	Product Section Details Commercial E.A.C. - Large Centrifugal	Section No C8.02
Issue Status D	600C, 700C, 800C, 900C, 1200C, 1500C, 1700C, 1900C October 1999 Release	Page 9





REPLACEMENT PARTS MANUAL

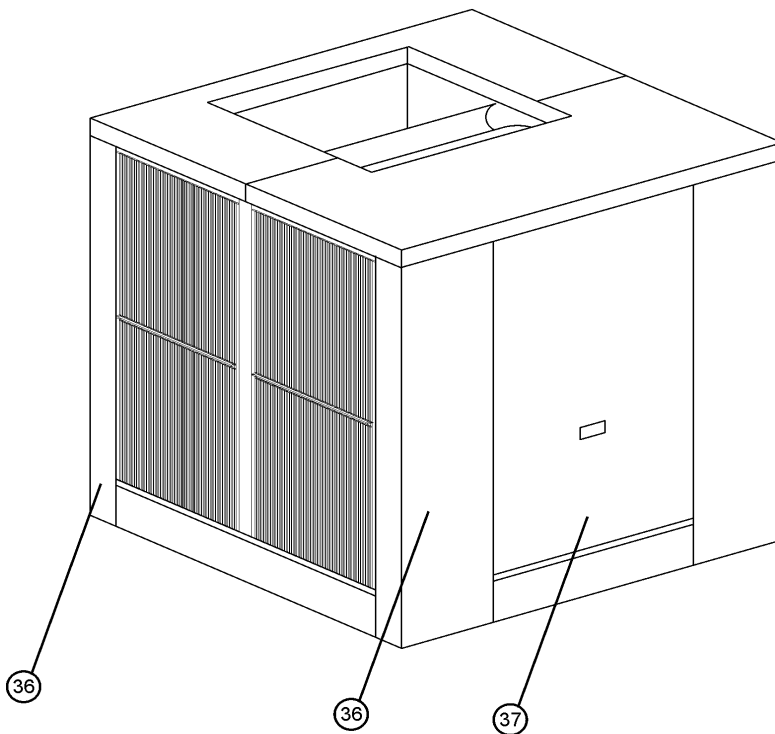
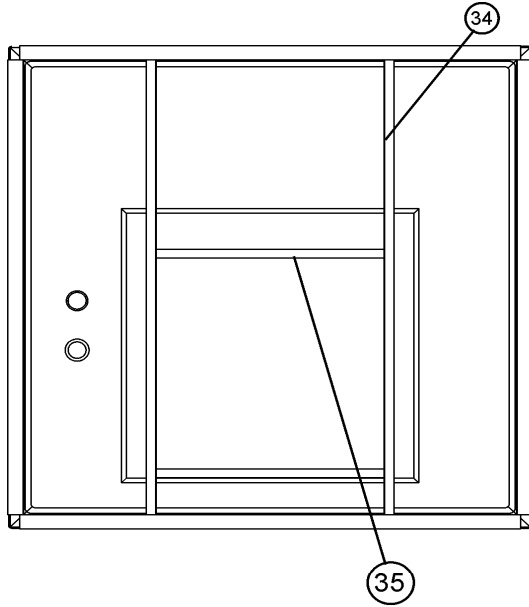
Date Issued 1-Nov-16	Product Section Details Commercial E.A.C. - Large Centrifugal	Section No C8.02
Issue Status D	600C, 700C, 800C, 900C, 1200C, 1500C, 1700C, 1900C October 1999 Release	Page 10

ITEM NUMBER	DESCRIPTION	PART NUMBER	COMMENTS
25	SECONDARY SUPPORT CHANNEL LH	1105291SP	600C - 700CB
	SECONDARY SUPPORT CHANNEL LH	1105232SP	600C - 700CS
	SECONDARY SUPPORT CHANNEL LH	1105206SP	600C - 700CT
	SECONDARY SUPPORT CHANNEL LH	1105304SP	800C - 900CB CT
	SECONDARY SUPP/CHNL LH SD	1105332SP	800C - 900CS
	SECONDARY SUPPORT CHANNEL RH	1105204SP	600C - 700CB
	SECONDARY SUPPORT CHANNEL RH	1105233SP	600C - 700CS
	SECONDARY SUPPORT CHANNEL RH	1105288SP	600C - 700CT
	SECONDARY SUPPORT CHANNEL RH	1105351SP	800C - 900CB CT
	SECONDARY SUPP/CHL RH SD	1105352SP	800C - 900CS
26	SCROLL BOTTOM MTG CHNL LH	1105427SP	1200C - 1500CB CT
	SCROLL BOTTOM MTG CHNL LH	1105435SP	1200C - 1500CS
	SCROLL BOTTOM MTG CHNL RH	1105402SP	1200C - 1500CB CT
	SCROLL BOTTOM MTG CHNL RH	1105403SP	1200C - 1500CS
27	BLOWER & SCROLL MTG CHN ASSY	1105425SP	1200C - 1500C
	BLOWER & SCROLL MTG CHL ASSY	1105428SP	1200C - 1500C
28	BLOWER SUPPORT RAIL VERTICAL	1103328SP	1700C - 1900CB
	BLOWER SUPPORT RAIL VERTICAL	1103395SP	1700C - 1900CS
	BLOWER SUPPORT RAIL VERTICAL	1103396SP	1700C - 1900CT
29	BASE PLASTIC	1105373SP	500C
29	BASE PLASTIC	1105374SP	600C - 700CB
	BASE PLASTIC	1105375SP	800C - 900CB
	BASE PLASTIC	155350SP	600C - 900CS CT
	BASE PLASTIC	1105376SP	1200C - 1500CB
	BASE PLASTIC	155355SP	1200C - 1500CS CT
	BASE FIBREGLASS	1205221SP	1700C - 1900CB
	BASE FIBREGLASS	1205222SP	1700C - 1900CS CT
30	SPIGOT DUCT	1105244SP	600C - 700CB
	SPIGOT DUCT	1105417SP	1200C - 1500CB
31	CENTRE POST	1105219SP	600C - 700C
	CENTRE POST	1105319SP	800C - 900C
	CENTRE POST	1105408SP	1200C - 1500C
	CENTRE POST	1105619SP	1700C - 1900C
32	SIDE SKIRT	1105306SP	600C - 900C
	SIDE SKIRT	1105421SP	1200C - 1500C
	SIDE SKIRT LEFT & RIGHT	1105611SP	1700C - 1900C
33	SIDE SKIRT	1105305SP	600C - 900C
	SIDE SKIRT	1105420SP	1200C - 1500C
	SIDE SKIRT FRONT & REAR	1105610SP	1700C - 1900C



REPLACEMENT PARTS MANUAL

Date Issued 1-Nov-16	Product Section Details Commercial E.A.C. - Large Centrifugal	Section No C8.02
Issue Status D	600C, 700C, 800C, 900C, 1200C, 1500C, 1700C, 1900C October 1999 Release	Page 11





REPLACEMENT PARTS MANUAL

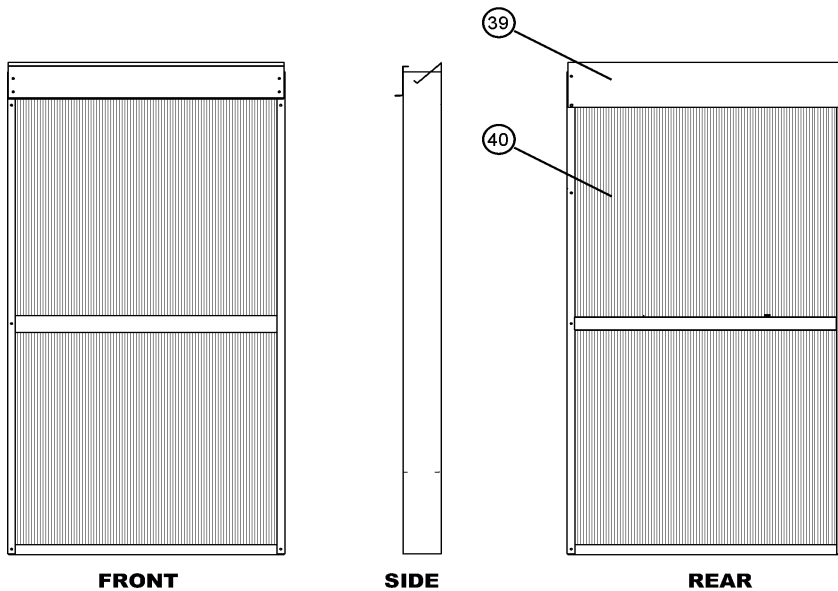
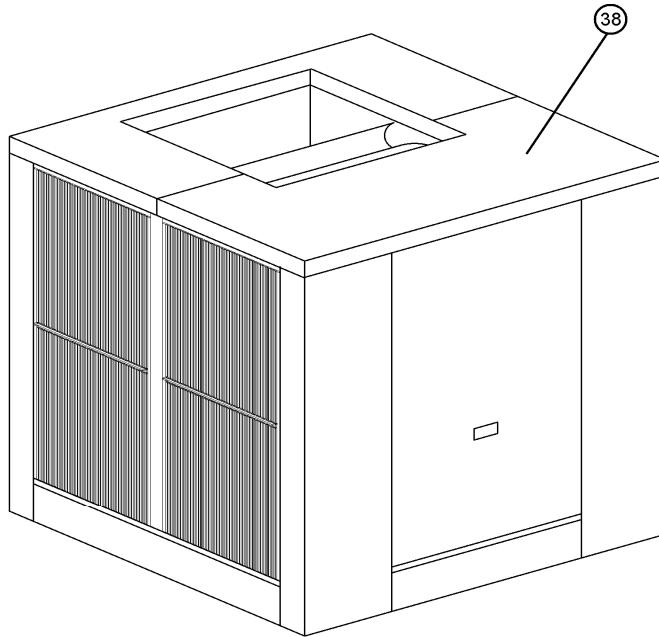
Date Issued 1-Nov-16	Product Section Details Commercial E.A.C. - Large Centrifugal	Section No C8.02
Issue Status D	600C, 700C, 800C, 900C, 1200C, 1500C, 1700C, 1900C October 1999 Release	Page 12

ITEM NUMBER	DESCRIPTION	PART NUMBER	COMMENTS
34	H FRAME LONG	1105216SP	600C -700C
	H FRAME LONG	1105316SP	800C -900C
	H FRAME LONG	1105423SP	1200C -1500C
	H FRAME LONG	1105620SP	1700C -1900C
35	H FRAME SHORT	1105217SP	600C -700C
	H FRAME SHORT	1105317SP	800C -900C
	H FRAME SHORT	1105424SP	1200C -1500C
	H FRAME SHORT	1105621SP	1700C -1900C
36	CORNER POST DIAFLO FRONT LH	1105209SP	600C - 700CB CT
	CORNER POST DIAFLO FRONT LH	1105240SP	600C - 700CS
	CORNER POST DIAFLO	1105309SP	800C - 900CB CT
	CORNER POST DIAFLO FRONT LH	1105340SP	800C - 900CS
	CORNER POST DIAFLO FRONT LH	1105432SP	1200C - 1500CS
	CORNER POST DIAFLO	1105613SP	1700C - 1900CS
	CORNER POST DIAFLO	1105410SP	1200C - 1500CB CT
	CORNER POST DIAFLO	1105410SP	1200C - 1500CS
	CORNER POST DIAFLO	1105612SP	1700C
	CORNER POST DIAFLO ISO REAR RH	1105409SP	1200CB CT
	CORNER POST DIAFLO ISO REAR RH	1105615SP	1700C
	CORNER POST ISO REAR RH	1105210SP	600C - 700CB CT
	CORNER POST ISO RH REAR	1105241SP	600C - 700CS
	CORNER POST ISO REAR RH	1105310SP	800C - 900CB CT
	CORNER POST ISO REAR RH	1105367SP	800C - 900CS
	CORNER POST ISO	1105433SP	1200C - 1500CS
	CORNER POST ISO REAR RH	1105614SP	1700C
	CORNER POST	1105211SP	600C - 700C
	CORNER POST	1105211SP	600C - 700CB CT
	CORNER POST	1105311SP	800C - 900C
CORNER POST	1105311SP	800C -900C	
CORNER POST	1105406SP	1200C - 1500C	
CORNER POST	1105406SP	1200C - 1500CB CT	
CORNER POST	1105406SP	1200C - 1500CB CT	
CORNER POST DIAFLO	1105613SP	1700C - 1900C	
CORNER POST FRONT RH	1105616SP	1900CS	
CORNER POST	1105617SP	1700C - 1900C	
CORNER POST	1105617SP	1900CB CT	
37	PANEL FILL	1105228SP	600C - 700CS
	PANEL FILL	1105328SP	800C - 900CS
	PANEL FILL	1105419SP	1200C - 1500CS
	PANEL TOP FILL	1105642SP	1700C - 1900CS
	PANEL BOTTOM FILL	1105635SP	1700C -1900CS
	PANEL DROP FILL	1205163SP	600C - 700CB CT
	PANEL DROP FILL	1205108SP	800C - 900CB CT
PANEL DROP FILL	1205421SP	1200C - 1500CB CT 1	



REPLACEMENT PARTS MANUAL

Date Issued 1-Nov-16	Product Section Details Commercial E.A.C. - Large Centrifugal	Section No C8.02
Issue Status D	600C, 700C, 800C, 900C, 1200C, 1500C, 1700C, 1900C October 1999 Release	Page 13



FRONT

SIDE

REAR



REPLACEMENT PARTS MANUAL

Date Issued 1-Nov-16	Product Section Details Commercial E.A.C. - Large Centrifugal	Section No C8.02
Issue Status D	600C, 700C, 800C, 900C, 1200C, 1500C, 1700C, 1900C October 1999 Release	Page 14

ITEM NUMBER	DESCRIPTION	PART NUMBER	COMMENTS	
38	LID	1205245SP	600C -700CB	
	LID	1205246SP	600C - 700CS	
	LID	1205247SP	600C -700CT	
	LID	1205193SP	800C - 900CB	
	LID	1205194SP	800C - 900CS	
	LID	1205195SP	800C - 900CT	
	LID	1205400SP	1200C - 1500CB	
	LID	1205401SP	1200C -1500CS	
	LID	1205402SP	1200C - 1500CT	
	LID	1205600SP	1700C - 1 900CB	
	LID	1205601SP	1700C - 1 900CS	
	LID	1205602SP	1700C - 1 900CT	
		LIFTING LUG ASSEMBLY	1205140SP	All Models
		CLIP CANOE RAISED HEAD	130448SP	All Models
39	FILTERCOOL PAD FRAME ASSEMBLY	1205164SP	600C -700C	
	FILTERCOOL PAD FRAME ASSEMBLY	1205109SP	800C -900C	
	FILTERCOOL PAD FRAME ASSEMBLY	1205422SP	1200C -1500C	
	FILTERCOOL PAD FRAME ASSEMBLY	1205622SP	1700C - 1900C	
40	FILTERCOOL PAD	150656SP	600C -700C	
	FILTERCOOL PAD 566X1255	150635SP	800C -900C	
	FILTERCOOL PAD	150640SP	1200C - 1500C	
	FILTERCOOL PAD	150650SP	1700C - 1900C	
	CLIP CANOE RAISED HEAD	130448SP	All Models	
	ACCESSORIES			
	DECORATIVE PANEL CARRIER	1105245SP	600C -700C	
	DECORATIVE PANEL CARRIER	1105346SP	800C -900C	
	DECORATIVE PANEL CARRIER	1105416SP	1200C -1500C	
	DECORATIVE PANEL	1105625SP	1700C - 1900C	