



# REPLACEMENT PARTS MANUAL

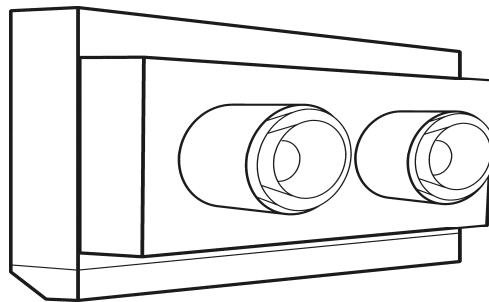
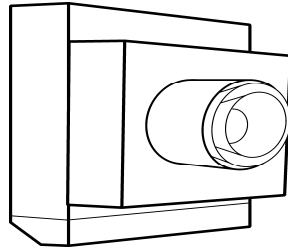
Date Issued  
**1-Nov-16**

Product Section Details  
**Commercial Axial**

Section No  
**C6.08**

Issue Status  
**C**

Page



## Products

### Seasonmake DF Series

6300010 DF1

6300020 DF2



# REPLACEMENT PARTS MANUAL



Date Issued  
**1-Nov-16**

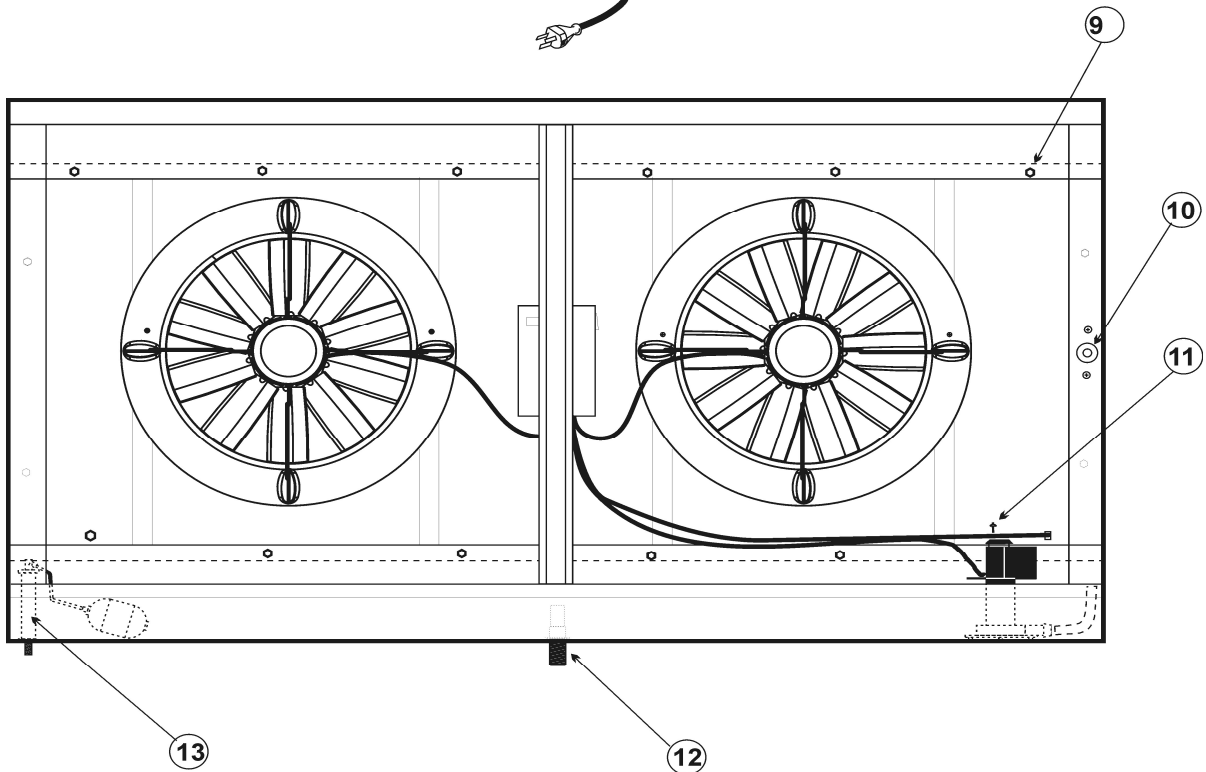
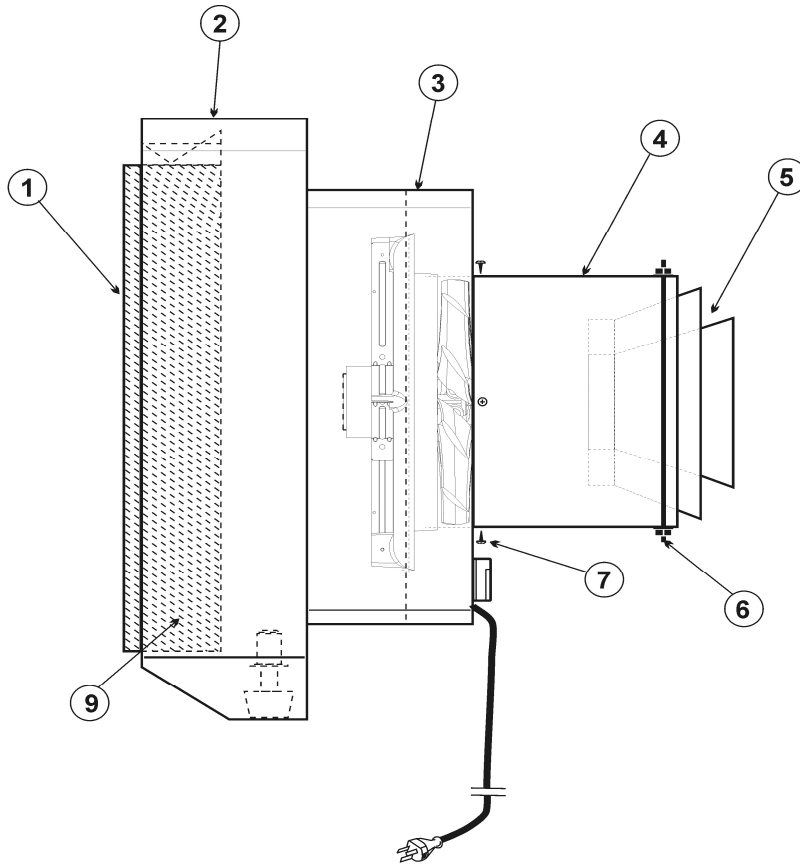
Product Section Details

Section No  
**C6.08**

Issue Status  
**C**

**Commercial Axial**  
DF Series / Seasonmaker

Page  
**1**





# REPLACEMENT PARTS MANUAL

Date Issued <b>1-Nov-16</b>	Product Section Details <b>Commercial Axial</b>	Section No <b>C6.08</b>
Issue Status <b>C</b>	DF Series / Seasonmaker	Page <b>2</b>

ITEM NUMBER	DESCRIPTION	PART NUMBER	COMMENTS
1	Pad Frame - Deco Panel	6301210CWSP	
	Deco Panel	6301150SP	
	Water Tray	6302451SP	
	Bottom Angle	6302452SP	
	Splash Guard	6302453SP	
2	Wet Box	6301350CWSP	DF1
	Wet Box	6301250CWSP	DF 2
3	Fan Box - Df1	6301355cw	
	Fan Box - Df2	6301255cw	
	Spiggot Fan Box	6302440SP	
4	Spigot-Long 350x500DIA	6302460AGSP	
5	Diffuser	6301235AGSP	
6	Axle Bar	6302469SP	
	Set Screw SS 5/16" x 3/4"	1-30-135SP	
	Washer Spring ZP 5/16"	1-30-380SP	
7	3/8 X No10 Self Tapping Screw	1-30-390SP	Diffuser Fixing
8	FILTERCOOL	6301150SP	
9	3/4 X 1/4 Set Screw Ss	1-30-120SP	
	1/4 Flat Washer Ss	1-30-225SP	
	1/4 Hex Nut Ss	1-30-140SP	
10	Dialflow	6050904SP	
11	Scrivet Plastic	0141610SP	
12	Overflow - 40Mm	6050920SP	
	Stand Pipe	0730152SP	
13	Ball Valve Assembly	6050911SP	



# REPLACEMENT PARTS MANUAL



Date Issued  
**1-Nov-16**

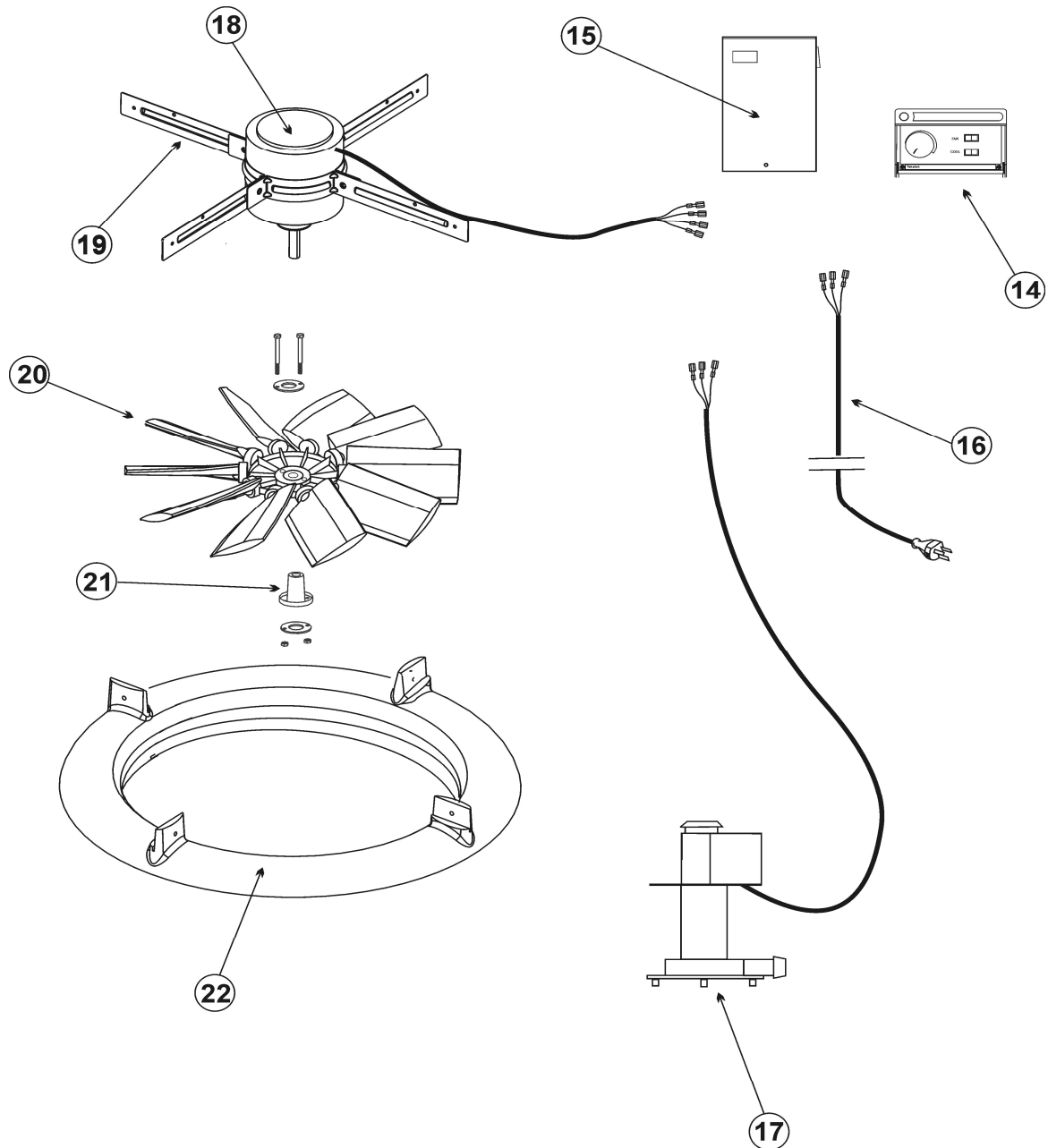
Product Section Details

Section No  
**C6.08**

Issue Status  
**C**

**Commercial Axial**  
DF Series / Seasonmaker

Page  
**3**







*“Excelling today for a better tomorrow”*

**Text and Illustration Copyright Climate Technologies 2005**

All rights reserved. No part of this document may be reproduced or transmitted in any form or by any means, electronic or mechanical, including photocopying, recording or by any information storage and retrieval system, without prior permission in writing from Climate Technologies

In the interest of continued product improvement Climate Technologies reserves the right to alter specifications without notice. E.&O.E.