



REPLACEMENT PARTS MANUAL

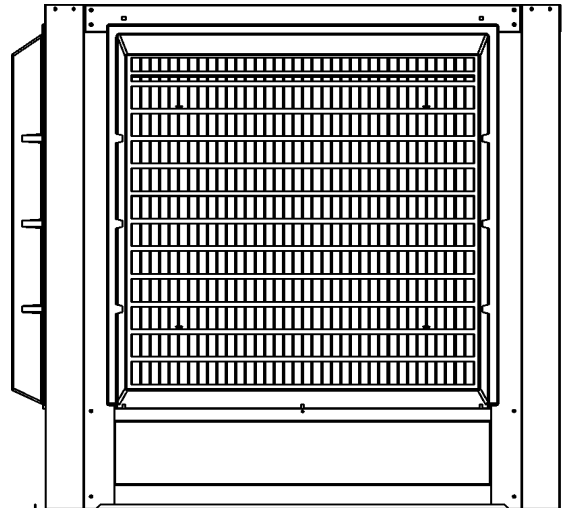
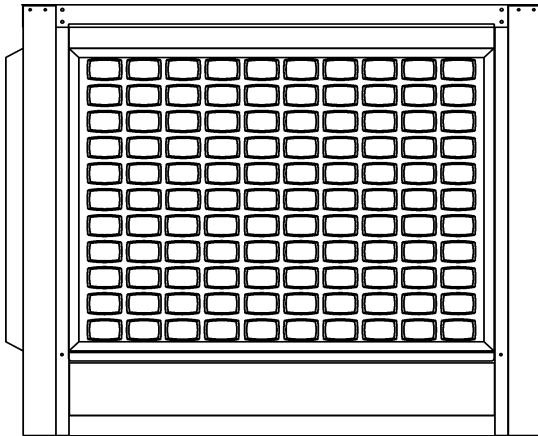
Date Issued
1-Nov-16

Issue Status
F

Product Section Details
Commercial Ducted EAC

Section No
C6.07

Page



Commercial Cooling

B Series

B14, 18, 23, 27, 33, 36



REPLACEMENT PARTS MANUAL

Date Issued
1-Nov-16

Product Section Details

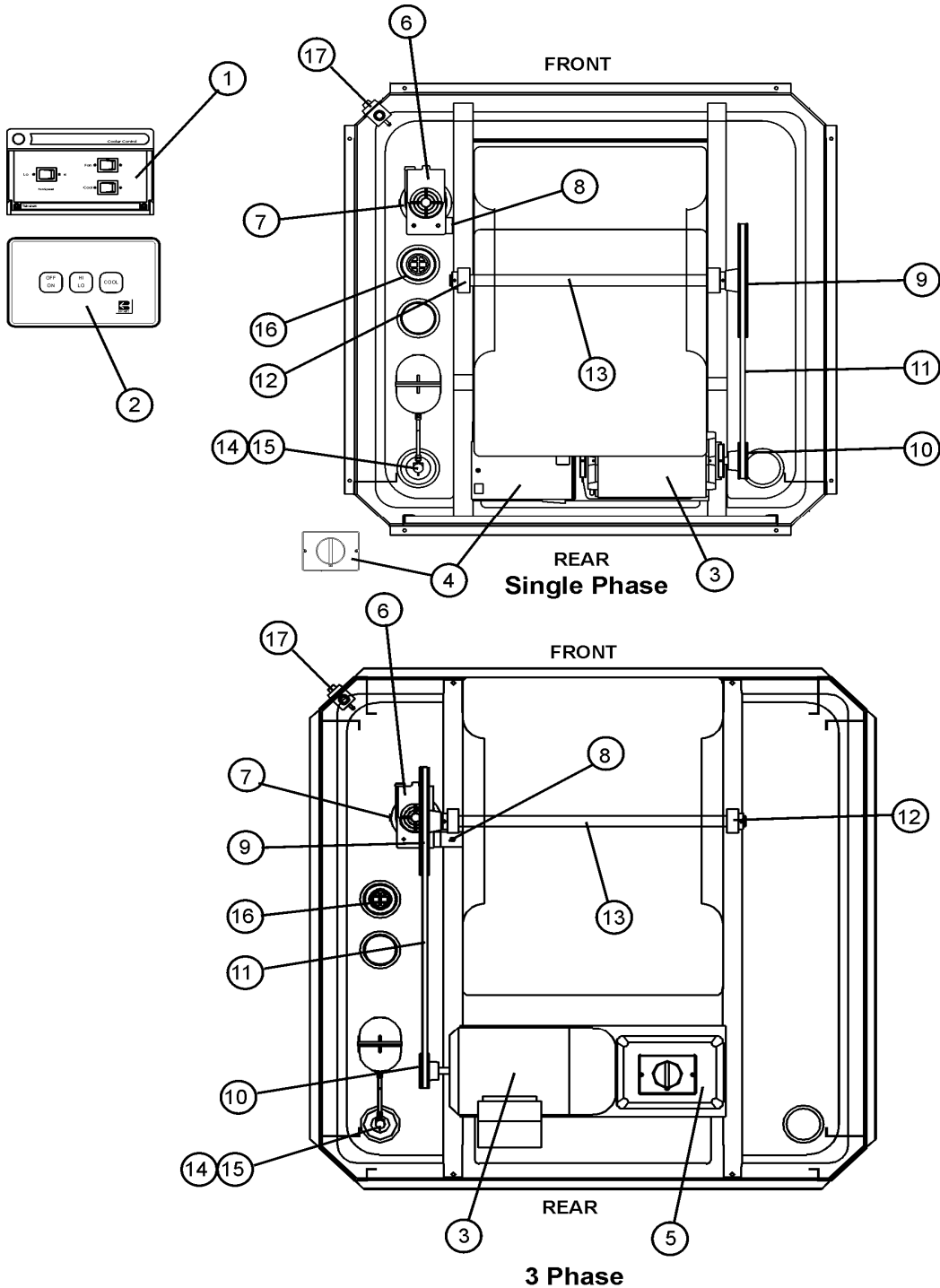
Section No
C6.07

Issue Status
F

Commercial Ducted EAC

B Series
B14, 18, 23, 27, 33, 36

Page
1



© Copyright 2005



REPLACEMENT PARTS MANUAL

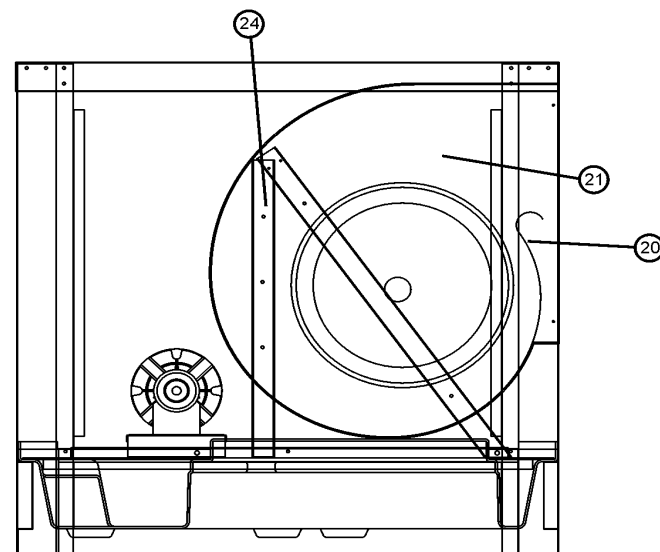
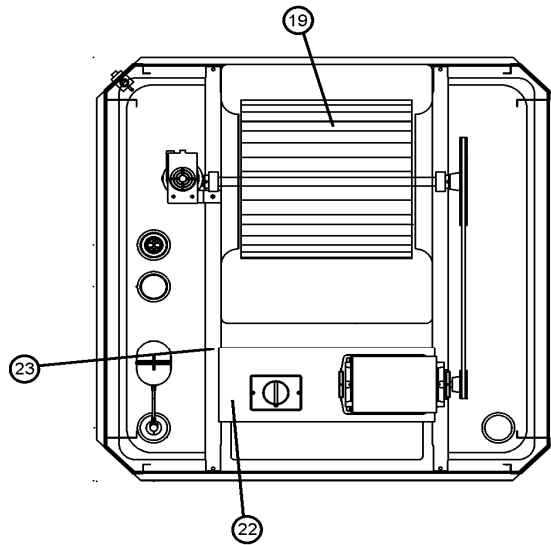
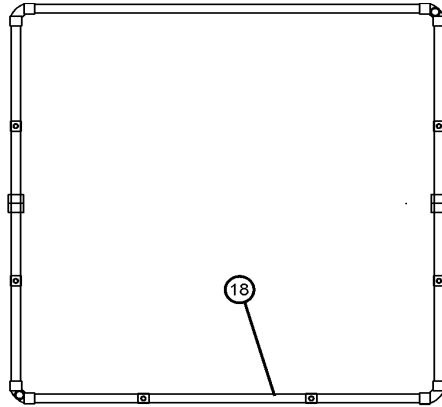
Date Issued 1-Nov-16	Product Section Details Commercial Ducted EAC	Section No C6.07
Issue Status F	B Series B14, 18, 23, 27, 33, 36	Page 2

ITEM NUMBER	DESCRIPTION	PART NUMBER	COMMENTS
1	WALL SWITCH TEK 287	120040SP	B14,18,36 3 PHASE
2	WALL SWITCH HPM	1205220SP	B27,33
	WALL CONTROL - CLIMATE 4 BUTTON	6051631SP	B14,18,23,27 TEK600 Series
	MANUAL THERMOSTAT BONAIRE	6061661SP	B14,18,23 Tytronics
	WIRING LOOM - LV 20M TEKELEK	6051619SP	Tekelek / Tytronics LV Controls
3	MOTOR 2 SPEED .56KW	115050SP	B14
	MOTOR 2 SPEED .75K	0150514SP	B18,23
	MOTOR - 0.75 KW 2 SPEED 1PH	115060SP	B27
	MOTOR 2 SPEED 1.50 KW 1PH	115061SP	B33
	MOTOR 2 SPEED 1.5KW 3 PHASE	115065SP	B36
	MOTOR .55KW VARIABLE SPEED 1PH	2521601SP	B14
	MOTOR .75KW VARIABLE SPEED 1PH	2531601SP	B18,23
	N.L.A REWIND MOTOR	2511603SP	B27
4	CONNECTION BOX TEK 248	120155SP	B14,18,23
	CONTROL ISOLATION SWITCH	120581SP	B33
	CONTROL BOX - TEK600	6051610SP	Tekelek 600 Series Controls
	CONTROL BD CE:AOR TYT2010	6061655SP	
5	STARTER 1.5KW DOL HIGH/LOW	120600SP	B36
6	PUMP ASSEMBLY	6050812SP	
7	STRAINER	6050811SP	
8	BRACKET PUMP	1105030SP	
9	PULLEY FAN 10" 1A AL 25MM	135021SP	B14,18
	PULLEY FAN 12" 1A AL 25MM	135026SP	B23,27,33
	PULLEY FAN 12" 1B AL 25MM	135029SP	B36
10	PULLEY MOTOR 3 x 1A x 5/8	0150653SP	B14,23
	PULLEY VSP100A (5/8" Bore)	135092SP	B23
	PULLEY MOTOR 3.5" 1A AL5/8BORE	135010SP	B18,27
	PULLEY VSP115A (5/8" Bore)	135093SP	B18
	PULLEY MOTOR 4" 1A AL 5/8 BORE	135015SP	B33
	PULLEY VSP		
	PULLEY MOTOR 4" 1B AL 28MMBORE	135035SP	B36
	PULLEY VSP		
11	V BELT A51	135126SP	B14,18 BOTTOM DISCHARGE
	V BELT A53	135129SP	B18 DD VP Pulley
	V BELT A56	135130SP	B14,18 SIDE DISCHARGE
	V BELT A58	135140SP	B14,18 TOP DISCHARGE
	V BELT A60	135146SP	B23,27 BOTTOM DISCHARGE
	V BELT A65	135156SP	B23,27 SIDE DISCHARGE
	V BELT A69	135160SP	B23 TOP DISCHARGE
	V BELT A70	135165SP	B27 TOP DISCHARGE
	V BELT A61	135147SP	B33 BOTTOM DISCHARGE
	V BELT A66	135157SP	B33 SIDE DISCHARGE
	V BELT A71	135166SP	B33 TOP DISCHARGE
	V BELT B61	135176SP	B36 BOTTOM DISCHARGE



REPLACEMENT PARTS MANUAL

Date Issued 1-Nov-16	Product Section Details Commercial Ducted EAC	Section No C6.07
Issue Status F	B Series B14, 18, 23, 27, 33, 36	Page 3





REPLACEMENT PARTS MANUAL

Date Issued 1-Nov-16	Product Section Details Commercial Ducted EAC	Section No C6.07
Issue Status F	B Series B14, 18, 23, 27, 33, 36	Page 4

ITEM NUMBER	DESCRIPTION	PART NUMBER	COMMENTS
	V BELT B66	135173SP	B36 SIDE DISCHARGE
	V BELT B71	135171SP	B36 TOP DISCHARGE
12	BEARING KIT ZP 25MM NSK	135101SP	
13	SHAFT FAN PG STEEL 25mm	1105100SP	B14, 18
	SHAFT FAN PG STEEL 25MM	1105101SP	B23,27,33,36 3PHASE
14	BALL VALVE - 1/2" (CISTERN)	6050911SP	
15	BRACKET FLOAT VALVE	1105029SP	PRE NOVEMBER 2006
	BRACKET FLOAT VALVE	2522001SP	B18 POST NOVEMBER 2006
16	COMBINATION DRAIN/WASTE ASSY	1205121SP	
	DRAIN BASE SUB ASSEMBLY	150821SP	
	O RING BS028	150450SP	
	OVERFLOW 40MM PVC	1105359SP	
17	DIALFLOW CONTROL VALVE	6050904SP	
18	PVC ASSEMBLY	2520901SP	B14, 18 PRE NOVEMBER 2006
	PVC ASSEMBLY	2540901SP	B23,27,33,36 PRE NOVEMBER 2006
	PVC ASSEMBLY	2520910SP	B18 POST NOVEMBER 2006
	PVC ASSEMBLY	2530910SP	B23,27,33,36, POST NOVEMBER 2006
19	BLOWER WHEEL 15" X 15" 25MM	125021SP	B14, 18
	BLOWER WHEEL 18" X 18" 25MM	125031SP	B23,27,33,36
20	BLOWER CUT OFF PLATE	1205504SP	B14, 18
	BLOWER CUT OFF PLATE	1205509SP	B23,27,33,36
21	SCROLL PLASTIC 15"	156001SP	B14, 18 BOTTOM DISCHARGE
	SCROLL PLASTIC 15"	156005SP	B14, 18 SIDE DISCHARGE
	SCROLL PLASTIC 15"	156010SP	B14, 18 TOP DISCHARGE
	SCROLL PLASTIC 18"	156015SP	B23,27,33,36 BOTTOM DISCHARGE
	SCROLL PLASTIC 18"	156020SP	B23,27,33,36 SIDE DISCHARGE
	SCROLL PLASTIC 18"	156025SP	B23,27,33,36 TOP DISCHARGE
22	MOTOR MOUNTING PLATE	1105007SP	B14, 18
	MOTOR MOUNTING PLATE	1105041SP	B27,33
	MOTOR MOUNTING PLATE	1105081SP	B36
23	MOTOR SUPPORT CHANNEL LH	1105056SP	B14, 18
	MOTOR SUPPORT CHANNEL LH	1105034SP	B23,27,33,36
	MOTOR SUPPORT CHANNEL RH	1105018SP	B14, 18
	MOTOR SUPPORT CHANNEL LH	1105076SP	B23,27,33,36
24	SCROLL SUPPORT 1 LEFT HAND	1105003SP	B14, 18 BOTTOM DISCHARGE
	SCROLL SUPPORT 1 LEFT HAND	1105001SP	B14, 18 SIDE DISCHARGE
	SCROLL SUPPORT 1 LEFT HAND	1105005SP	B14, 18 TOP DISCHARGE
	SCROLL SUPPORT 1 LEFT HAND	1105035SP	B23,27,33,36 BOTTOM DISCHARGE
	SCROLL SUPPORT 1 LEFT HAND	1105037SP	B23,27,33,36 SIDE DISCHARGE
	SCROLL SUPPORT 1 LEFT HAND	1105039SP	B23,27,33,36 TOP DISCHARGE
	SCROLL SUPPORT 2 LEFT HAND	1105004SP	B14, 18 BOTTOM DISCHARGE
	SCROLL SUPPORT 2 LEFT HAND	1105002SP	B14, 18 SIDE DISCHARGE
	SCROLL SUPPORT 2 LEFT HAND	1105006SP	B14, 18 TOP DISCHARGE
	SCROLL SUPPORT 2 LH	1105036SP	B23,27,33,36 BOTTOM DISCHARGE



REPLACEMENT PARTS MANUAL

Date Issued
1-Nov-16

Product Section Details

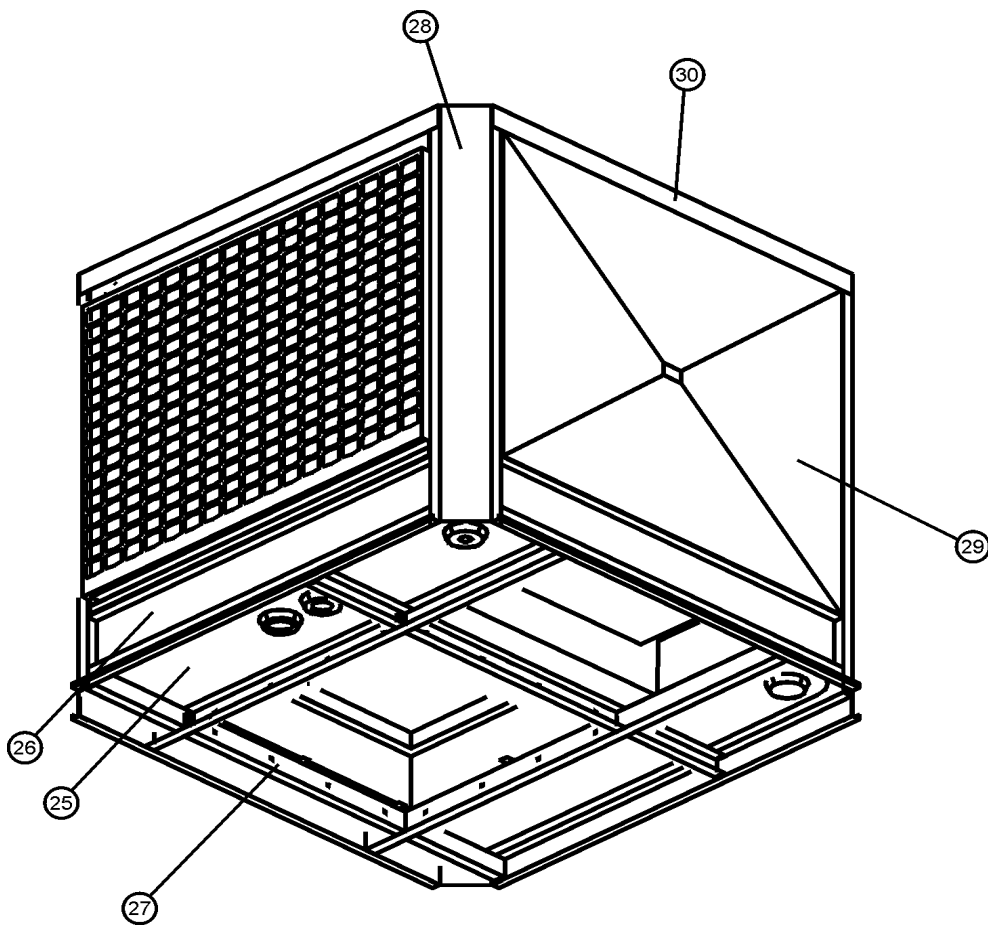
Section No
C6.07

Issue Status
F

Commercial Ducted EAC

B Series
B14, 18, 23, 27, 33, 36

Page
5



© Copyright 2005

Manufactured by: Climate Technologies ABN 13 001 418 042



REPLACEMENT PARTS MANUAL

Date Issued 1-Nov-16	Product Section Details Commercial Ducted EAC	Section No C6.07
Issue Status F	B Series B14, 18, 23, 27, 33, 36	Page 6

ITEM NUMBER	DESCRIPTION	PART NUMBER	COMMENTS
	SCROLL SUPPORT 2 LEFT HAND	1105038SP	B23,27,33,36 SIDE DISCHARGE
	SCROLL SUPPORT 2 LEFT HAND	1105040SP	B23,27,33,36 TOP DISCHARGE
	SCROLL SUPPORT 1 RH/LH	1105057SP	B14,18 BOTTOM DISCHARGE
	SCROLL SUPPORT 1 RH/LH	1105059SP	B14,18 SIDE DISCHARGE
	SCROLL SUPPORT 1 RH/LH	1105061SP	B14,18 TOP DISCHARGE
	SCROLL SUPPORT 1 RH/LH	1105064SP	B23,27,33,36 BOTTOM DISCHARGE
	SCROLL SUPPORT 1 RH/LH	1105066SP	B23,27,33,36 SIDE DISCHARGE
	SCROLL SUPPORT 1 RH/LH	1105068SP	B23,27,33,36 TOP DISCHARGE
	SCROLL SUPPORT 2 RH/LH	1105058SP	B14,18 BOTTOM DISCHARGE
	SCROLL SUPPORT 2 RH/LH	1105060SP	B14,18 SIDE DISCHARGE
	SCROLL SUPPORT 2 RH/LH	1105062SP	B14,18 TOP DISCHARGE
	SCROLL SUPPORT 2 RH/LH	1105065SP	B23,27,33,36 BOTTOM DISCHARGE
	SCROLL SUPPORT 2 RH/LH	1105067SP	B23,27,33,36 SIDE DISCHARGE
	SCROLL SUPPORT 2 RH/LH	1105069SP	B23,27,33,36 TOP DISCHARGE
25	BASE VACUUM FORMED	155022SP	B14,18 BOTTOM DISCHARGE
	BASE VACUUM FORMED	155021SP	B14,18 TOP DISCHARGE
	BASE VACUUM FORMED	155024SP	B23,27,33,36 BOTTOM DISCHARGE
	BASE VACUUM FORMED	155023SP	B23,27,33,36 SIDE,BOTTOM DISCHARGE
26	SIDE SKIRT	1105017SP	B14,18 PRE NOVEMBER 2006
	SIDE SKIRT	1105033SP	B23,27,33,36 PRE NOVEMBER 2006
	SIDE SKIRT	1105025SP	B14,18 SD FRONT PRE NOV 2006
	SIDE SKIRT	1105072SP	B23,27,33,36 SD FRONT PRE NOV 2006
	SIDE SKIRT	2520143SP	B18 POST NOVEMBER 2006
	SIDE SKIRT	2530143SP	B23,27,33,36, POST NOVEMBER 2006
27	H FRAME CHANNEL A	1104038SP	B14,18
	H FRAME CHANNEL A	1105163SP	B23,27,33,36
	H FRAME CHANNEL B	1104039SP	B14,18
	H FRAME CHANNEL B	1105164SP	B23,27,33,36
28	CORNER POST LH REAR/RH FRONT	1105187SP	B14,18 TOP,BOTTOM DISCHARGE
	CORNER POST LEFT HAND REAR	1105188SP	B14,18 SIDE DISCHARGE
	CORNER POST RIGHT HAND REAR	1105184SP	B14,18 TOP,BOTTOM DISCHARGE
	CORNER POST LEFT HAND REAR	1105188SP	B14,18 SIDE DISCHARGE
	CORNER POST LH REAR/RH FRONT	1105187SP	B14,18 SIDE DISCHARGE
	CORNER POST LEFT HAND REAR	1105188SP	B14,18 TOP,BOTTOM DISCHARGE
	CORNER POST DIAFLO FRONT LH	1105185SP	B14,18 TOP,BOTTOM DISCHARGE
	CORNER POST DIAFLO FRONT LH	1105186SP	B14,18 SIDE DISCHARGE
	CORNER POST REAR RIGHT HAND	1105031SP	B23,27
	CORNER POST REAR RIGHT HAND	1105031SP	B33 TOP,BOTTOM DISCHARGE
	CORNER POST REAR LEFT HAND	1105045SP	B33 SIDE DISCHARGE
	CORNER POST FRONT RIGHT HAND	1105032SP	B23,27
	CORNER POST FRONT RIGHT HAND	1105032SP	B33 SIDE DISCHARGE
	CORNER POST REAR LEFT HAND	1105045SP	B33 TOP,BOTTOM DISCHARGE
	CORNER POST DIAFLO FRONT LH	1105047SP	B23,27
	CORNER POST DIAFLO FRONT LH	1105047SP	B33 SIDE DISCHARGE



REPLACEMENT PARTS MANUAL

Date Issued
1-Nov-16

Product Section Details

Section No
C6.07

Issue Status
F

Commercial Ducted EAC

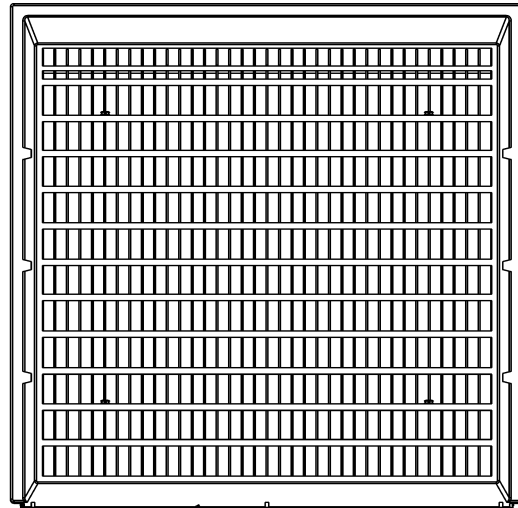
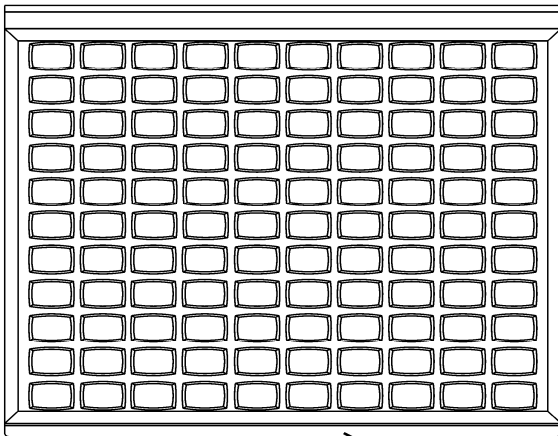
B Series
B14, 18, 23, 27, 33, 36

Page
7

**Before ordering parts check which
louvre assembly is installed**

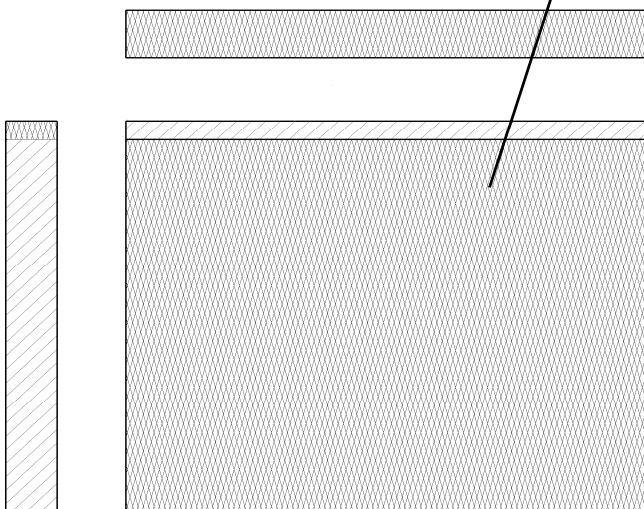
Post November 2006

Pre November 2006



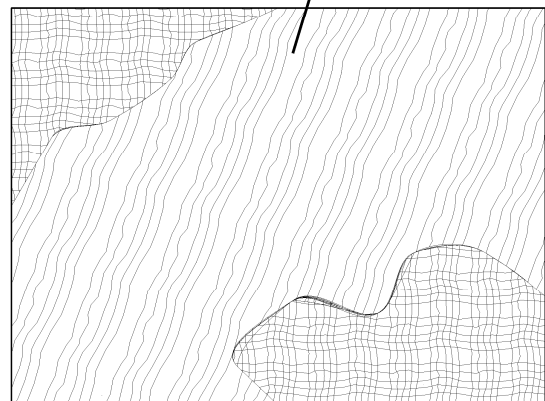
31

32



CELKE

33



ASPEN

© Copyright 2005



REPLACEMENT PARTS MANUAL

Date Issued 1-Nov-16	Product Section Details Commercial Ducted EAC	Section No C6.07
Issue Status F	B Series B14, 18, 23, 27, 33, 36	Page 8

ITEM NUMBER	DESCRIPTION	PART NUMBER	COMMENTS
	CORNER POST DIAFLO FRONT LH	1105046SP	B33 TOP,BOTTOM DISCHARGE
	CORNER POST	2520141SP	B18 POST NOVEMBER 2006
	CORNER POST DIAFLO	2520142SP	B18 POST NOVEMBER 2006
	CORNER POST	2530141SP	B23,27,33,36, POST NOVEMBER 2006
	CORNER POST DIAFLO	2530142SP	B23,27,33,36, POST NOVEMBER 2006
	WASHER BACK	1105084SP	B23,27,33,36
29	PANEL DROP FILL	1105015SP	B14 TOP,BOTTOM DISCHARGE
	PANEL DROP FILL	1105015SP	B14 SIDE DISCHARGE
	PANEL DROP FILL	1105015SP	B18 TOP,BOTTOM DISCHARGE
	PANEL DROP FILL	1105054SP	B23,27 TOP, BOTTOM DISCHARGE
	PANEL DROP FILL	1105054SP	B23,27 SIDE DISCHARGE
	PANEL DROP FILL	1105054SP	B33 TOP,BOTTOM DISCHARGE
	PANEL DROP FILL	1105020SP	B14,18 SIDE DISCHARGE
	PANEL DROP FILL	1105070SP	B23,27,33,36
	PANEL DROP FILL	2520146SP	B18 POST NOVEMBER 2006
	PANEL DROP FILL	2520147SP	B18 SIDE DISCHARGE POST
	PANEL DROP FILL	2530146SP	B23,27,33,36, POST NOVEMBER 2006
	PANEL DROP FILL	2530147SP	B23,27,33,36, SIDE DISCHARGE POST
30	LID COOLER BOX	1105189SP	B14,18 BOTTOM DISCHARGE
	LID COOLER BOX	1105190SP	B14,18 SIDE DISCHARGE
	LID COOLER BOX	1105191SP	B14,18 TOP DISCHARGE
	LID COOLER BOX	1105085SP	B23,27,33,36 BOTTOM DISCHARGE
	LID COOLER BOX	1105086SP	B23,27,33,36 SIDE DISCHARGE
	LID COOLER BOX	1105087SP	B23,27,33,36 TOP DISCHARGE
	LID COOLER BOX	2520140SP	B18 POST NOVEMBER 2006
	LID COOLER BOX	2520150SP	B18 TOP DISCHARGE POST NOV 2006
	LID COOLER BOX	2530140SP	B23,27,33,36, POST NOVEMBER 2006
	LID COOLER BOX	2530150SP	B23,27,33,36, TD,POST NOV 2006
31	DECORATIVE PANEL	2522201SP	B14,18 PRE NOVEMBER 2006
	DECORATIVE PANEL	2532201SP	B23,27,33,36 PRE NOVEMBER 2006
	RIVET PLASTIC 5MM	130070SP	
	CLIP CANOE RAISED HEAD	130448SP	
	LOUVRE SMALL CENTRIF	2420122SP	B18 POST NOVEMBER 2006
	LOUVRE LARGE COMMERCIAL	2320122SP	B23,27,33,36, NOVEMBER 2006
	LOUVRE LATCH	6001326SP	B18 POST NOVEMBER 2006
32	FILTERCOOL PAD	150610SP	B14,18 PRE NOVEMBER 2006
	FILTERCOOL PAD	150540SP	B23,27,33,36 PRE NOVEMBER 2006
	FILTERCOOL PAD	2520161SP	B18 POST NOVEMBER 2006
	FILTERCOOL PAD	2530161SP	B23,27,33,36, POST NOVEMBER 2006
	FILTERCOOL PAD FRAME ASSEMBLY	2522202SP	B14,18 PRE NOVEMBER 2006
	FILTERCOOL PAD FRAME ASSEMBLY	2532202SP	B23,27,33,36 PRE NOVEMBER 2006
	LOUVRE & FILTERCOOL ASSY	2520160SP	B18 POST NOVEMBER 2006
	LOUVRE & FILTERCOOL ASSY	2530160SP	B23,27,33,36, POST NOVEMBER 2006
33	FILTER PAD ASPEN	150456SP	B14,18 PRE NOVEMBER 2006



REPLACEMENT PARTS MANUAL

Date Issued
1-Nov-16

Product Section Details

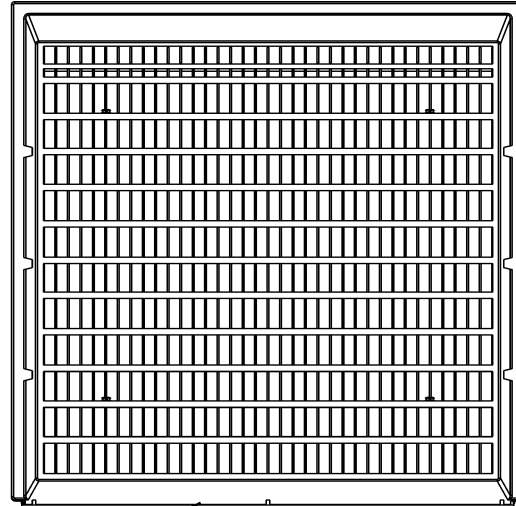
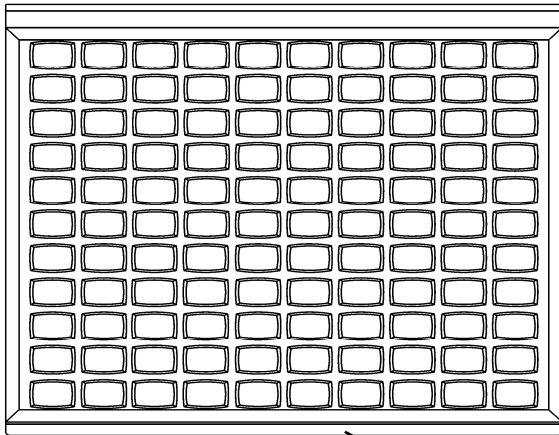
Section No
C6.07

Issue Status
F

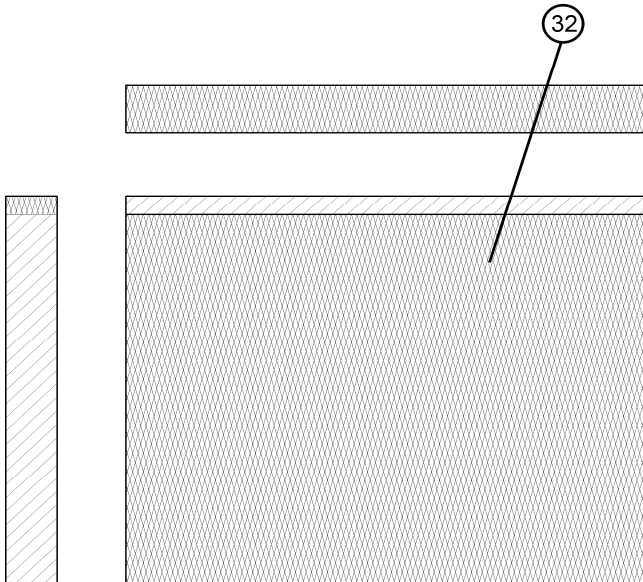
Commercial Ducted EAC

B Series
B14, 18, 23, 27, 33, 36

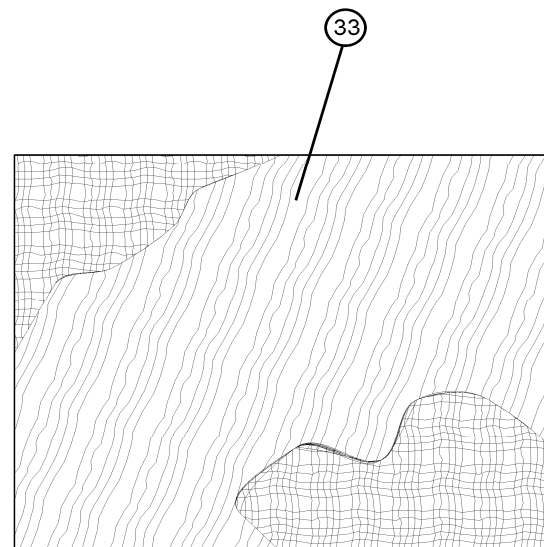
Page
9



31



CELKEK



ASPEN

© Copyright 2005



“Excelling today for a better tomorrow”

Text and Illustration Copyright Climate Technologies 2005

All rights reserved. No part of this document may be reproduced or transmitted in any form or by any means, electronic or mechanical, including photocopying, recording or by any information storage and retrieval system, without prior permission in writing from Climate Technologies

In the interest of continued product improvement Climate Technologies reserves the right to alter specifications without notice. E.&O.E.