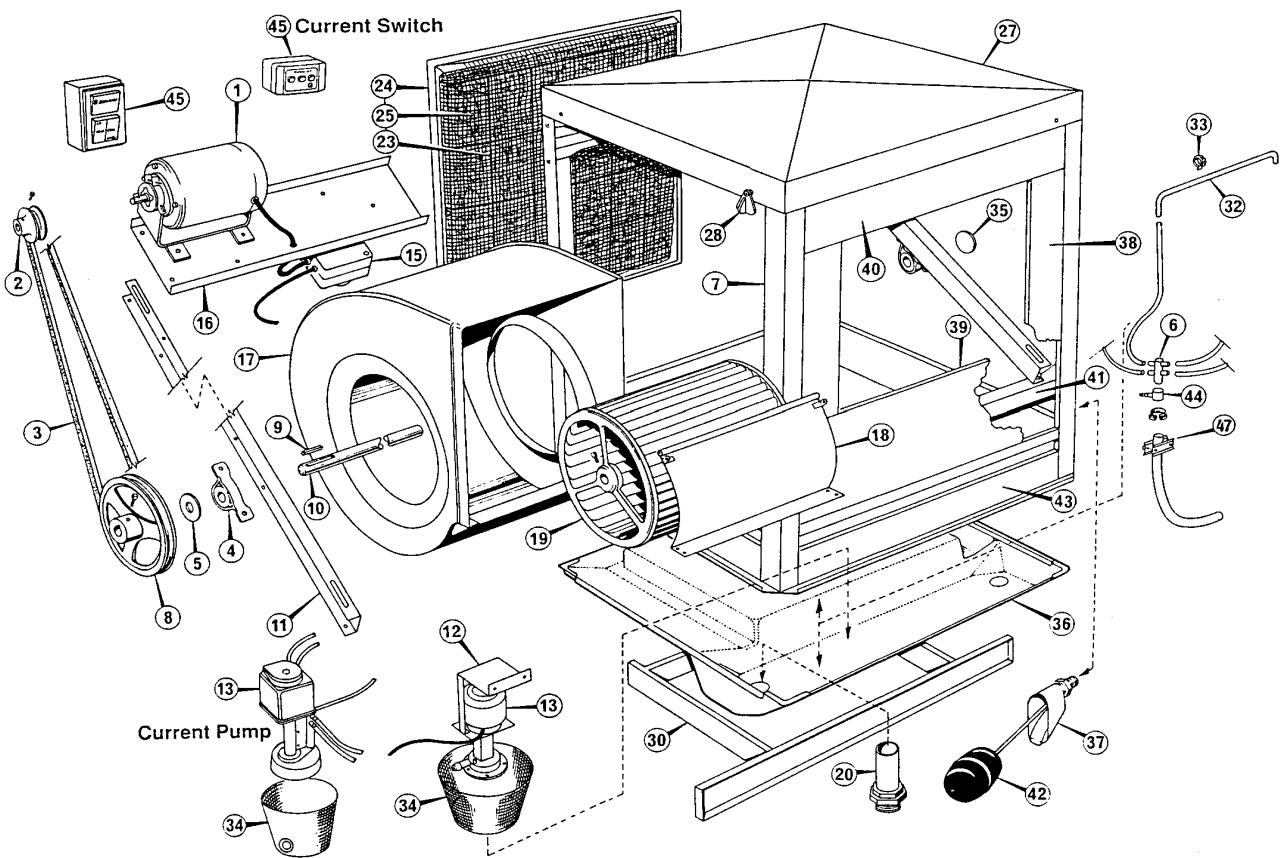




REPLACEMENT PARTS MANUAL

Date Issued 11-Mar-03	Product Section Details Bonaire Commercial E.A.C. - 22" Blower	Section No C6.05
Issue Status D	MODELS: 400A, 400S, 400AV, 400SV, 451A, 451S, 453A, 453S, 500A, 500S (New Generation)	Page 1





REPLACEMENT PARTS MANUAL

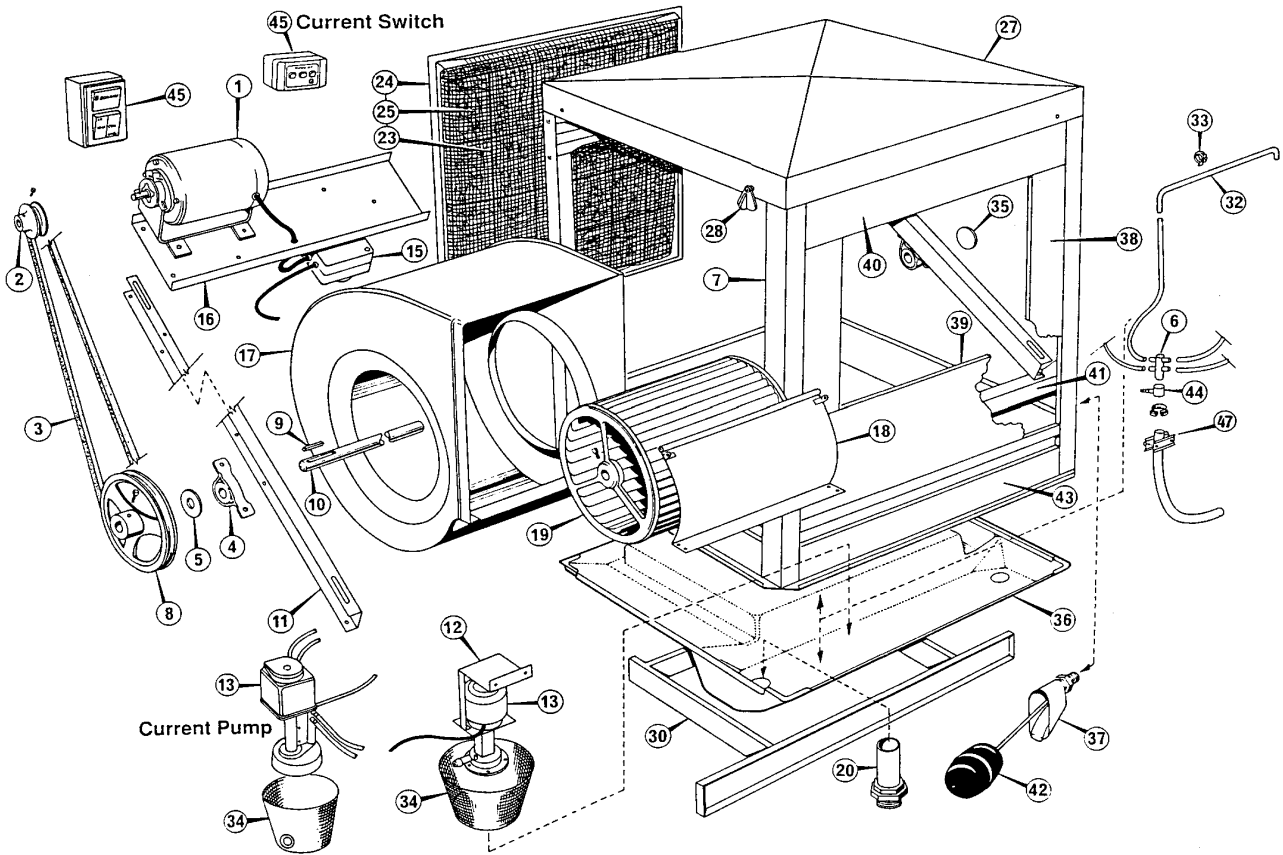
Date Issued 11-Mar-03	Product Section Details Bonaire Commercial E.A.C. - 22" Blower	Section No C6.05
Issue Status D	MODELS: 400A, 400S, 400AV, 400SV, 451A, 451S, 453A, 453S, 500A, 500S (New Generation)	Page 2

ITEM NUMBER	DESCRIPTION	PART NUMBER	COMMENTS
1	MOTOR - 0.75 KW 2 SPEED 1PH	0150514SP	400 2 SPEED - when existing stock deplete use 115055SP
	MOTOR - 0.75 KW V/S 1PH	2511601SP	400 VARIABLE SPEED ONLY - when existing stock deplete use 2531601SP
	MOTOR - 1.1 KW 2 SPEED 1PH	2381604SP	451 ONLY - when existing stock deplete use 115060SP
	MOTOR - 1.1 KW 2 SPEED 3PH	0150520SP	453 ONLY
	MOTOR - 2.2 KW 2 SPEED 3PH	0150535SP	500 ONLY
2	PULLEY MTR - 3 x 1A x 5/8	0150653SP	400 2 SPEED & 400 VARIABLE SPEED - REPLACES P/N 01505602
	PULLEY MOTOR - 3.875 x 1A x 5/8 C.I.A.	0150906SP	451 ONLY
	PULLEY MTR - 3 1/2 x 1A x 24MM	0150607SP	453 ONLY
	PULLEY MTR - 4 x 1A x 28MM	0150637SP	500 ONLY
	PULLEY MTR - 4 1/4 x 2A x 28MM	0150634SP	500 Twin Drive
3	V BELT - A76	0151157SP	SIDE & BOTTOM DISCHARGE: 400 & 451
	V BELT - A67	0151148SP	TOP DISCHARGE: 400 & 451
	V BELT - A77	0151158SP	SIDE & BOTTOM DISCHARGE: 453
	V BELT - A68	0151149SP	TOP DISCHARGE: 453
	V BELT - A79	0151160SP	500 ONLY: SIDE & BOTTOM DISCHARGE
	V BELT - A70	0151151SP	500 ONLY: TOP DISCHARGE
4	BEARING KIT - 1 3/16" FAN SHAFT	0150104SP	2 PER UNIT
5	BEARING COVER	2100117SP	
6	BLEED OFF - 4 OUTLET	2080111SP	
7	CORNER POST - WATER INLET	2370103SP	ALUMINIUM - P/N 2370102 INCLUDES WATER INLET KNOCKOUT
	CORNER POST - WATER INLET	2320103SP SP	STAINLESS STEEL - REPLACES P/N 2320102 INCLUDES WATER INLET KNOCKOUT
8	PULLEY FAN - 14 x 1A x 1 3/16"	0150787SP	
9	KEY - SHAFT	0780856SP	
10	SHAFT - 22" BLOWER WHEEL	0750811SP	
11	BEARING MOUNTING CHANNEL	2380105SP	ALUMINIUM
12	PUMP MOUNTING BRACKET	N.L.A	
13	PUMP ASSEMBLY	6050812SP	
15	SWITCH - ISOLATING	0162357SP	400 & 451
	CONTROL - V/S MODULE SC001	0162254SP	400 VARIABLE ONLY - TECH. COMPONENTS
	CONTROL BOX - V/S CLIPSAL 761	2361601SP	400 VARIABLE ONLY - CLIPSAL
	PRINTED CIRCUIT BOARD - CLIPSAL	N.L.A	400 VARIABLE ONLY
	STARTER ASSEMBLY - 3 PHASE	N.L.A	453 ONLY
	STARTER ASSEMBLY - 3 PHASE	0160681SP	500 ONLY
16	BRACKET - MOTOR MOUNTING	2380107SP	ALUMINIUM
	BRACKET - MOTOR MOUNTING	2330106SP	STAINLESS STEEL
17	SCROLL ASSEMBLY	2381302SP	
18	SCROLL CUT OFF ASSEMBLY	2110805SP	
19	BLOWER WHEEL - 22"	0750840SP	



REPLACEMENT PARTS MANUAL

Date Issued 11-Mar-03	Product Section Details Bonaire Commercial E.A.C. - 22" Blower	Section No C6.05
Issue Status D	MODELS: 400A, 400S, 400AV, 400SV, 451A, 451S, 453A, 453S, 500A, 500S (New Generation)	Page 3





REPLACEMENT PARTS MANUAL

Date Issued 11-Mar-03	Product Section Details Bonaire Commercial E.A.C. - 22" Blower	Section No C6.05
Issue Status D	MODELS: 400A, 400S, 400AV, 400SV, 451A, 451S, 453A, 453S, 500A, 500S (New Generation)	Page 4

ITEM NUMBER	DESCRIPTION	PART NUMBER	COMMENTS
20	OVERFLOW FITTING ASSEMBLY - 2"	0730156SP	
	WASHER - RUBBER	0730154SP	
	O RING - BS 226	0100802SP	
23	PAD RACK	2320123SP	
24	LOUVRE - MEDIUM COMMERCIAL	2320122SP	
25	FILTER PADS	2321303SP	
27	TOP PANEL	N.L.A	ALUMINIUM: SIDE AND BOTTOM DISCHARGE
	TOP PANEL	2381301SP	ALUMINIUM: TOP DISCHARGE
28	LOUVRE LATCH	6001326SP	2 PER KIT
30	DUCT SUPPORT ASSY.	2380116SP	ALUMINIUM
32	DISTRIBUTOR PIPE	2310142SP	
33	CLIP - WATER DISTRIBUTION PIPE	0120720SP	
34	STRAINER - COMMERCIAL PUMPS	2310151SP	
35	BEARING COVER - BLANK	2100118SP	
36	BOTTOM TANK	2330120SP	
37	GUARD - BALL VALVE	2311702SP	
38	FRONT PANEL - SIDE	2380115SP	SIDE DISCHARGE; ALUMINIUM
39	FRONT PANEL - LOWER	2380114SP	SIDE DISCHARGE; ALUMINIUM
40	FRONT PANEL - TOP	2380113SP	SIDE DISCHARGE; ALUMINIUM
41	SCROLL MOUNTING CHANNEL	2370104SP	ALUMINIUM
42	BALL VALVE - 1/2" (PLUNGER)	0100102SP	
43	BASE PANEL	2370101SP	ALUMINIUM
44	BLEED OFF SLEEVE	2080112SP	
45	WALL CONTROL - 2 SPD	2081605SP	2 SPEED ONLY
	CONTROL SWITCH ASSY. - 10K	N.L.A	N.L.A. - VARIABLE SPEED ONLY - TECHNICAL COMPONENTS
	CONTROL SWITCH ASSY. - 500K	N.L.A	VARIABLE SPEED ONLY - CLIPSAL
	POTENTIOMETER - 10K	N.L.A	TECHNICAL COMPONENTS
	POTENTIOMETER - 500K	N.L.A	CLIPSAL
47	HOSE CLAMP	N.L.A	
	ACCESSORIES		
	POLYCOVER - BOTTOM DISCHARGE	2321306SP	
	POLYCOVER - SIDE DISCHARGE	2321307SP	
	POLYCOVER - TOP DISCHARGE	2321308SP	