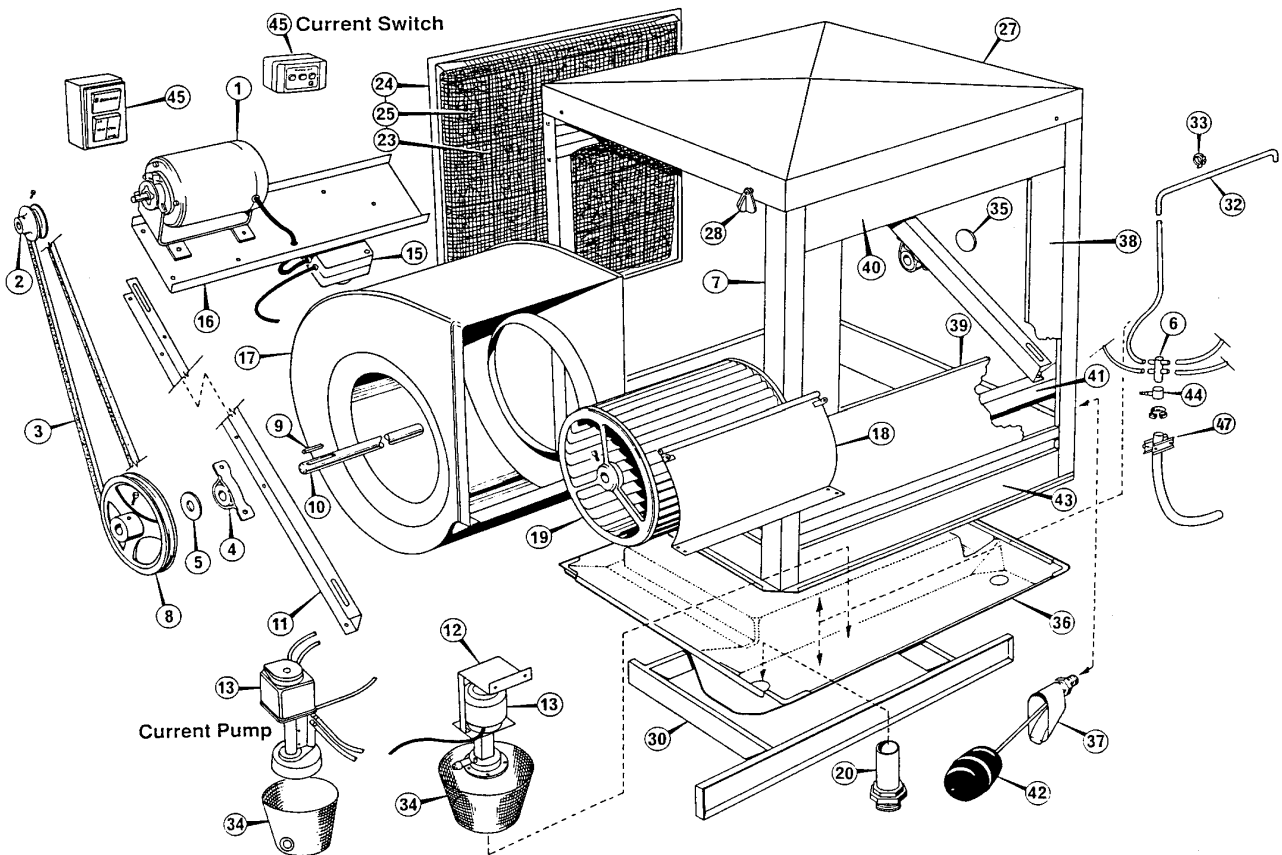




REPLACEMENT PARTS MANUAL

Date Issued 11-Mar-03	Product Section Details Bonaire Commercial E.A.C. - 16" Blower	Section No C6.04
Issue Status D	MODELS: 200, 250, 300 (New Generation) STAINLESS STEEL, ALUMINIUM	Page 1





REPLACEMENT PARTS MANUAL

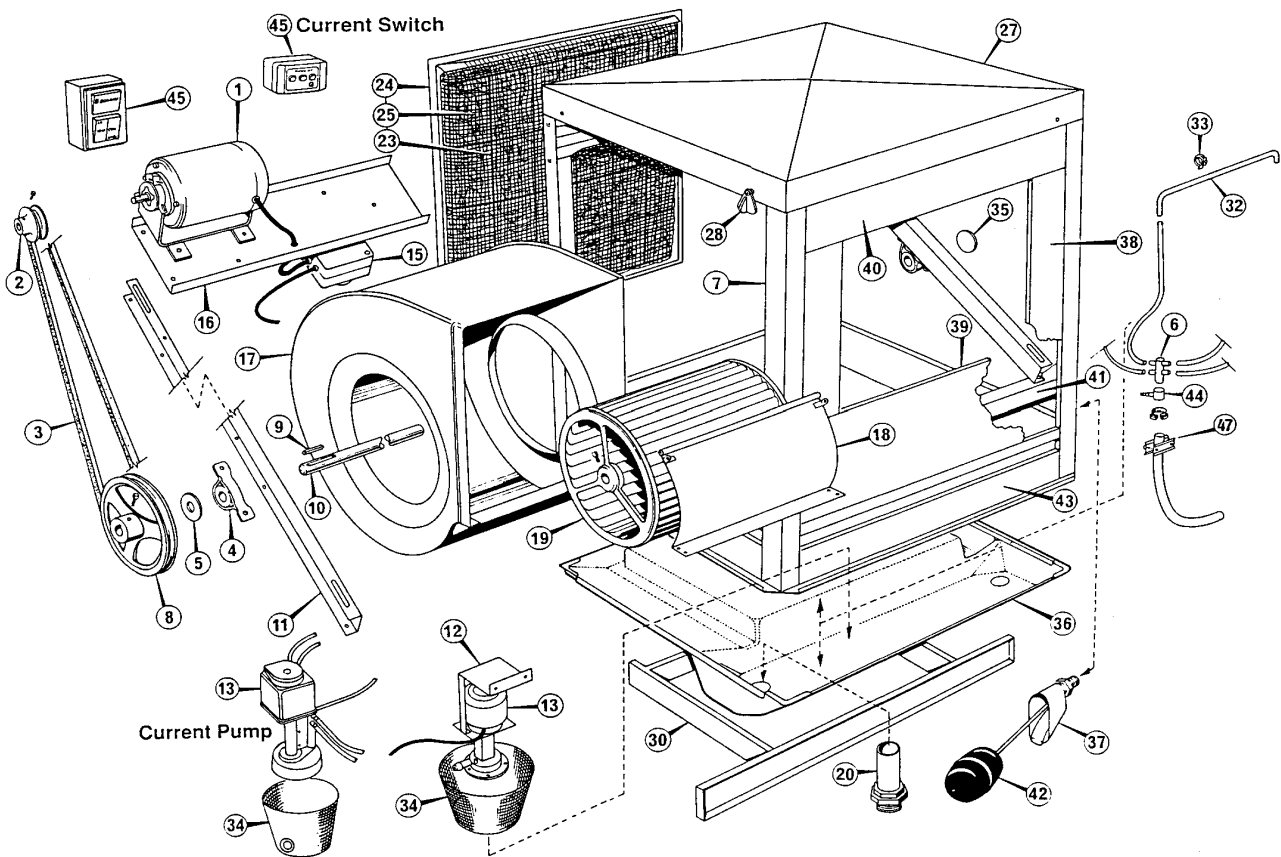
Date Issued 11-Mar-03	Product Section Details Bonaire Commercial E.A.C. - 16" Blower	Section No C6.04
Issue Status D	MODELS: 200, 250, 300 (New Generation) STAINLESS STEEL, ALUMINIUM	Page 2

ITEM NUMBER	DESCRIPTION	PART NUMBER	COMMENTS
1	MOTOR - 0.55 KW V/S 1PH	0150568SP	200AS/V ONLY
	MOTOR - 0.5 KW 3 SPEED 1PH	2311627SP	200SM ONLY - Hard Start Module Required (Refer 1a)
	MOTOR - 0.75 KW 2 SPEED 1PH	0150514SP	200A/S, 250A/S ONLY - when existing stock deplete use 115050SP
	MOTOR - 0.55 KW V/S 1PH	0150570SP	250A/SV ONLY - when existing stock deplete use 2521601
	MOTOR - 0.6 KW 3 SPEED 1PH	2311628SP	250SM ONLY - Hard Start Module Required (Refer 1a)
	MOTOR - 0.75 KW 2 SPEED 1PH	0150514SP	300A/S ONLY - when existing stock deplete use 115055SP
	MOTOR - 0.75 KW V/S 1PH	2511601SP	300A/SV ONLY - when existing stock deplete use 2531601SP
	MOTOR - 0.75 KW 3 SPEED 1PH	2311629SP	300SM ONLY - Hard Start Module Required (Refer 1a)
1a	CONTROL - HARD START MODULE	2311321SP	3 SPEED MODELS ONLY - EXCEPTION: GREY AND BLACK MOTORS
2	PULLEY MTR - 3 1/2 x 1A x 5/8	0150771SP	ALL 200 ONLY
	PULLEY MTR - 3 1/4 x 1A x 5/8	0150606SP	ALL 250 ONLY
	PULLEY MOTOR - 3.875 x 1A x 5/8 C.I.A.	0150906SP	ALL 300 ONLY
3	V BELT - A63	0151144SP	SIDE & BOTTOM DISCHARGE: ALL 200 ONLY
	V BELT - A55	0151136SP	TOP DISCHARGE: ALL 200 ONLY
	V BELT - A57	0151138SP	SIDE & BOTTOM DISCHARGE: ALL 250 ONLY
	V BELT - A50	0151131SP	TOP DISCHARGE: ALL 250 ONLY
	V BELT - A55	0151136SP	SIDE & BOTTOM DISCHARGE: ALL 300 ONLY
	V BELT - A48	0151129SP	TOP DISCHARGE: ALL 300 ONLY
4	BEARING KIT - 1" FAN SHAFT	0150102SP	2 PER UNIT
5	BEARING COVER	2090122SP	
6	BLEED OFF - 4 OUTLET	2080111SP	
7	CORNER POST - WATER INLET	2360145SP	Alum. Units Only - Replaces P/N 2360102 & 2360103. Includes Water Inlet Knockout
	CORNER POST - WATER INLET	2310103SP	S.Steel Units Only - Replaces P/N 2310102 Includes Water Inlet Knockout
8	PULLEY FAN - 12 X 1A X 1"	0150786SP	ALL 200 ONLY
	PULLEY FAN - 9 x 1A x 1" K/W	0150654SP	ALL 250 ONLY
	PULLEY FAN - 8 x 1A x 1" K/W	0150782SP	ALL 300 ONLY
9	KEY - SHAFT	0780856SP	
10	SHAFT - 16" BLOWER (S.S.)	0890812SP	
11	BEARING MOUNTING CHANNEL	2360105SP	ALUMINIUM UNITS ONLY
12	BRACKET - PUMP MOUNTING	2310108SP	
13	PUMP ASSEMBLY	6050812SP	



REPLACEMENT PARTS MANUAL

Date Issued 11-Mar-03	Product Section Details Bonaire Commercial E.A.C. - 16" Blower	Section No C6.04
Issue Status D	MODELS: 200, 250, 300 (New Generation) STAINLESS STEEL, ALUMINIUM	Page 3





REPLACEMENT PARTS MANUAL

Date Issued 11-Mar-03	Product Section Details Bonaire Commercial E.A.C. - 16" Blower	Section No C6.04
Issue Status D	MODELS: 200, 250, 300 (New Generation) STAINLESS STEEL, ALUMINIUM	Page 4

ITEM NUMBER	DESCRIPTION	PART NUMBER	COMMENTS
15	SWITCH - ISOLATING	0162357SP	200A/S, 250A/S & 300A/S ONLY
	CONTROL - V/S MODULE SC001	0162254SP	200A/SV, 250A/SV,300A/SV - Tech. Components
	CONTROL BOX - V/S CLIPSAL 761	2361601SP	200A/SV, 250A/SV,300A/SV - CLIPSAL
15	PRINTED CIRCUIT BOARD - CLIPSAL	N.L.A	
	CONTROL BOX - TEK254CB	2441365SP	200SM, 250SM & 300SM ONLY
16	BRACKET - MOTOR MOUNTING	2360106SP	ALUMINIUM ONLY
17	SCROLL ASSEMBLY	2090801SP	
18	SCROLL CUT OFF ASSEMBLY	2110805SP	
19	BLOWER WHEEL - 16"	0760832SP	
20	OVERFLOW FITTING ASSEMBLY - 2"	0730156SP	
	WASHER - RUBBER	0730154SP	
	O RING - BS 226	0100802SP	
23	PAD RACK	2310124SP	
24	COVER - PUMP	2420122SP	
25	FILTER PAD - 16IN BLOWER	1571301SP	
27	TOP PANEL	2360111PSP	SD & BD: ALUMINIUM UNITS ONLY
	TOP PANEL	N.L.A	TD: ALUMINIUM UNITS ONLY
28	LOUVRE LATCH	6001326SP	2 PER KIT
30	DUCT SUPPORT - LONG	2360116SP	BD ONLY: ALUMINIUM UNITS ONLY - 2 PER
	DUCT SUPPORT - SHORT	2360117SP	BD ONLY: ALUMINIUM UNITS ONLY - 2 PER
32	DISTRIBUTOR PIPE	2310142SP	
33	CLIP - WATER DISTRIBUTION PIPE	0120720SP	
34	STRAINER - COMMERCIAL PUMPS	2310151SP	
35	BEARING COVER - BLANK	2090123SP	
36	BOTTOM TANK	2310120SP	
37	GUARD - BALL VALVE	2311702SP	
38	FRONT PANEL - SIDE	2360115SP	SIDE DISCHARGE: ALUMINIUM ONLY
39	FRONT PANEL - LOWER	2360114SP	BOTTOM DISCHARGE: ALUMINIUM ONLY
40	FRONT PANEL - TOP	2360113SP	TOP DISCHARGE: ALUMINIUM ONLY
41	SCROLL MOUNTING CHANNEL	2360104SP	ALUMINIUM UNITS ONLY
42	BALL VALVE - 1/2" (PLUNGER)	0100102SP	
43	BASE PANEL	2360101SP	ALUMINIUM UNITS ONLY
44	BLEED OFF SLEEVE	2080112SP	
45	WALL CONTROL - 2 SPD	2081605SP	200A/S, 250A/S & 300A/S ONLY
	VAR. SPEED WALL CONTROL SWITCH - 1	N.L.A	200AV, 250AV & 300AV ONLY - REPLACES 2311602 TECHNICAL COMPONENTS CONTROLLER
	VAR. SPEED WALL CONTROL SWITCH - 5	N.L.A	200AV, 250AV & 300AV ONLY - CLIPSAL
	WALL CONTROL - 3 SPD	2441629SP	200SM, 250SM & 300SM ONLY
	POTENTIOMETER - 10K	N.L.A	TECHNICAL COMPONENTS CONTROLLER
	POTENTIOMETER - 500K	N.L.A	CLIPSAL
47	HOSE CLAMP	N.L.A	



REPLACEMENT PARTS MANUAL

Date Issued 11-Mar-03	Product Section Details Bonaire Commercial E.A.C. - 16" Blower	Section No C6.04
Issue Status D	MODELS: 200, 250, 300 (New Generation) STAINLESS STEEL, ALUMINIUM	Page 5

