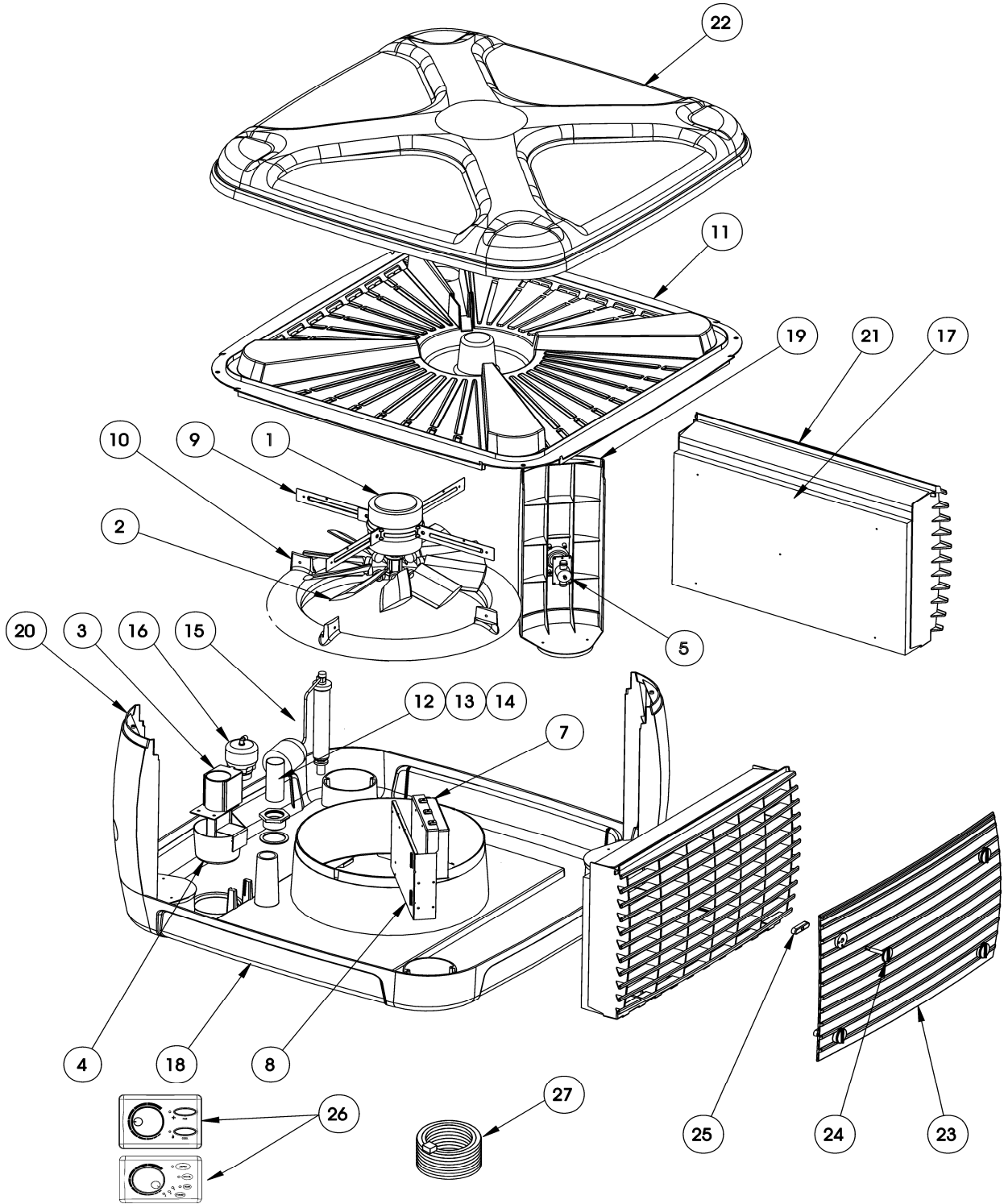




REPLACEMENT PARTS MANUAL

Date Issued 1-Nov-16	Product Section Details CELAIR DUCTED E.A.C. AXIAL - LP Series 2001	Section No C5.10
Issue Status C	LP 500, 750, 850 LP600 is a LP750 Wound Down	Page 1





REPLACEMENT PARTS MANUAL

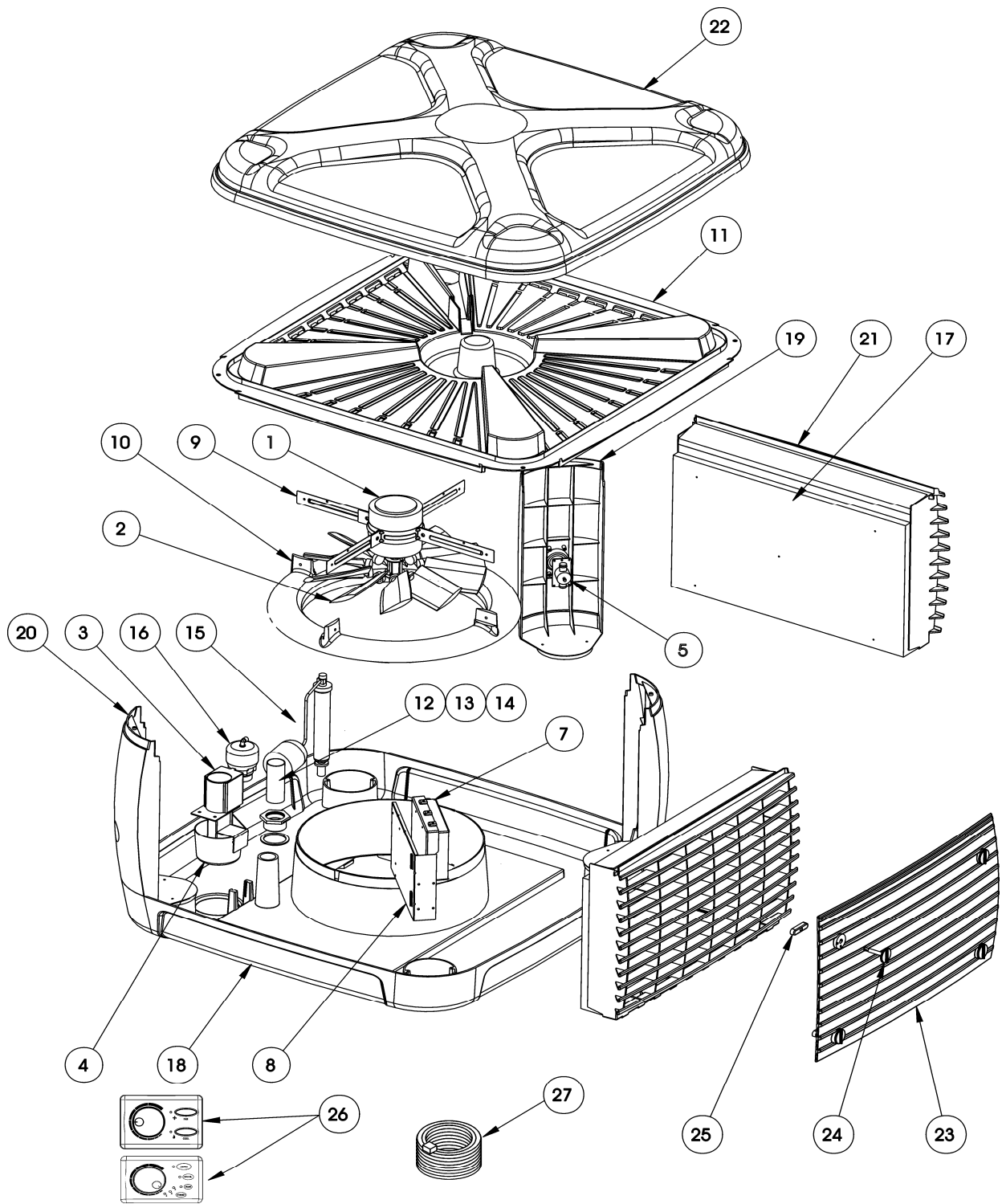
Date Issued 1-Nov-16	Product Section Details CELAIR DUCTED E.A.C. AXIAL - LP Series 2001	Section No C5.10
Issue Status C	LP 500, 750, 850 LP600 is a LP750 Wound Down	Page 2

ITEM NUMBER	DESCRIPTION	PART NUMBER	COMMENTS
1	MOTOR 0.6KW V/S 1PH	6051655SP	LP500
	CAPACITOR 20 MF 440V	0160177SP	LP500
	MOTOR .75KW V/S 1PH	6051675SP	LP750,850
	CAPACITOR - 25 MF 400V	0160168SP	LP750,850
2	IMPELLOR V16x5Bx28Px492D	6050845SP	LP500
	IMPELLOR V16X10BX31PX492D	6050836SP	LP750
	IMPELLOR V16X10BX37PX49D	6050837SP	LP850
3	PUMP ASSEMBLY	6050812SP	
4	STRAINER	6050811SP	
5	DIALFLOW CONTROL VALVE	6050904SP	
7	CONTROL BOX - TEK600	6051610SP	TEKELEK
	FUSE - 8AMP 250V	6051614SP	
	SOLENOID INTERFACE - TEKELEK	6051316SP	TEKELEK
8	BRACKET - CONTROL MOUNTING	6052001SP	
9	BRACKET - MOTOR MOUNTING KIT (6051605SP	
10	VENTURI	6050105SP	
11	DISTRIBUTION TRAY	6050106SP	
12	OVERFLOW STANDPIPE	0730152SP	
13	OVERFLOW FITTING ASSEMBLY - 2"	0730156SP	
14	WASHER - RUBBER	0730154SP	
15	BALL VALVE - 1/2" (CISTERN)	6050911SP	
16	DUMP VALVE BODY - (SUMP DUMP)	6001336SP	
	SOLENOID - DUMP VALVE	6051636SP	
	SOLENOID INTERFACE - PNE	6051315SP	24VOLT INPUT
	LEAD - SOLENOID VALVE	6031602SP	
17	FILTERCOOL 75MM - SMALL CAB	6050135SP	
	FILTERCOOL 75MM - MEDIUM CAB	6050115SP	
	FILTERCOOL 75MM - LARGE CAB	6050165SP	
	FILTERCOOL CLIP & WASHER	6050170SP	
18	BASE TANK - FLAT RED	6050102RDSP	
	BASE TANK - FLAT GREY	6050102GYSP	
	BASE TANK - FLAT GREEN	6050102GNSP	
	BASE TANK - FLAT BEIGE	6050102BESP	
	BASE TANK - FLAT CHOC	6050102CHSP	
19	CORNER POST - DIALFLO SML RED	6050209RDSP	LP500
	CORNER POST - DIALFLO SML GREY	6050209GYSP	LP500
	CORNER POST - DIALFLO SML GREE	6050209GNSP	LP500
	CORNER POST - DIALFLO SML BEIG	6050209BESP	LP500
	CORNER POST - DIALFLO SML CHOC	6050209CHSP	LP500
	CORNER POST - DIALFLO MED RED	6050309RDSP	LP750
	CORNER POST - DIALFLO MED GREY	6050309GYSP	LP750
	CORNER POST - DIALFLO MED GREE	6050309GNSP	LP750
	CORNER POST - DIALFLO MED BEIG	6050309BESP	LP750
CORNER POST - DIALFLO MED CHOC	6050309CHSP	LP750	



REPLACEMENT PARTS MANUAL

Date Issued 1-Nov-16	Product Section Details CELAIR DUCTED E.A.C. AXIAL - LP Series 2001	Section No C5.10
Issue Status C	LP 500, 750, 850 LP600 is a LP750 Wound Down	Page 3





REPLACEMENT PARTS MANUAL

Date Issued 1-Nov-16	Product Section Details CELAIR DUCTED E.A.C. AXIAL - LP Series 2001	Section No C5.10
Issue Status C	LP 500, 750, 850 LP600 is a LP750 Wound Down	Page 4

ITEM NUMBER	DESCRIPTION	PART NUMBER	COMMENTS
19	CORNER POST - DIALFLO LGE RED	6050409RDSP	LP850
	CORNER POST - DIALFLO LGE GREY	6050409GYSP	LP850
	CORNER POST - DIALFLO LGE GREE	6050409GNSP	LP850
	CORNER POST - DIALFLO LGE BEIG	6050409BESP	LP850
	CORNER POST - DIALFLO LGE CHOC	6050409CHSP	LP850
20	CORNER POST - SMALL RED	6050213RDSP	LP500
	CORNER POST - SMALL GREY	6050213GYSP	LP500
	CORNER POST - SMALL GREEN	6050213GNSP	LP500
	CORNER POST - SMALL BEIGE	6050213BESP	LP500
	CORNER POST - SMALL CHOC	6050213CHSP	LP500
	CORNER POST - MEDIUM RED (RIB)	6050313RDSP	LP750
	CORNER POST - MEDIUM GREY (RIB)	6050313GYSP	LP750
	CORNER POST - MEDIUM GREEN (RI	6050313GNSP	LP750
	CORNER POST - MEDIUM BEIGE (RI	6050313BESP	LP750
	CORNER POST - MEDIUM CHOC (RIB)	6050313CHSP	LP750
	CORNER POST - LARGE RED (RIB)	6050413RDSP	LP850
	CORNER POST - LARGE GREY (RIB)	6050413GYSP	LP850
	CORNER POST - LARGE GREEN (RIB)	6050413GNSP	LP850
CORNER POST - LARGE BEIGE (RIB)	6050413BESP	LP850	
CORNER POST - LARGE CHOC (RIB)	6050413CHSP	LP850	
21	LOUVRE - SMALL RED	6050201RDSP	LP500
	LOUVRE - SMALL GREY	6050201GYSP	LP500
	LOUVRE - SMALL GREEN	6050201GNSP	LP500
	LOUVRE - SMALL BEIGE	6050201BESP	LP500
	LOUVRE - SMALL CHOC	6050201CHSP	LP500
	LOUVRE - MED RED	6050301RDSP	LP750
	LOUVRE - MED GREY	6050301GYSP	LP750
	LOUVRE - MED GREEN	6050301GNSP	LP750
	LOUVRE - MED BEIGE	6050301BESP	LP750
	LOUVRE - MED CHOC	6050301CHSP	LP750
	LOUVRE - LARGE RED	6050401RDSP	LP850
	LOUVRE - LARGE GREY	6050401GYSP	LP850
	LOUVRE - LARGE GREEN	6050401GNSP	LP850
LOUVRE - LARGE BEIGE	6050401BESP	LP850	
LOUVRE - LGE CHOC	6050401CHSP	LP850	
22	LID BON/CEL RED	6050104RDSP	
	LID BON/CEL GREY	6050104GYSP	
	LID BON/CEL GREEN	6050104GNSP	
	LID BON/CEL BEIGE	6050104BESP	
	LID BON/CEL CHOCOLATE	6050104CHSP	
23	WINTER COVER SMALL RED	6051304RDSP	LP500
	WINTER COVER SMALL GREY	6051304GYSP	LP500
	WINTER COVER SMALL GREEN	6051304GNSP	LP500
	WINTER COVER SMALL BEIGE	6051304BESP	LP500



REPLACEMENT PARTS MANUAL

Date Issued 1-Nov-16	Product Section Details CELAIR DUCTED E.A.C. AXIAL - LP Series 2001	Section No C5.10
Issue Status C	LP 500, 750, 850 LP600 is a LP750 Wound Down	Page 5

