



REPLACEMENT PARTS MANUAL

Date Issued
1-Nov-16

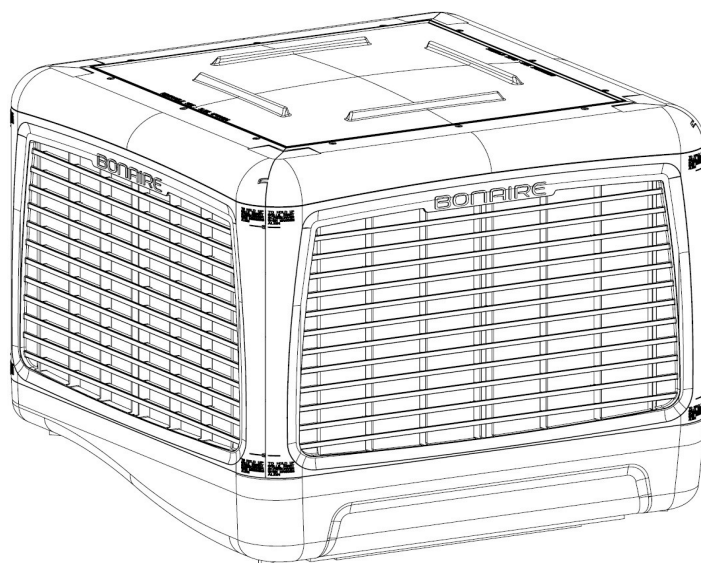
Product Section Details
SBB & CP Ducted EAC

Section No
C4.29

Issue Status
C

SBB 2015, CP 2015
SBB 800, SBB 950, SBB 1200, CP750, CP 900, CP 1150

Page



Products **SBB 800** - 6070033RD, 6070033GY, 6070033BE
 SBB 950 - 6070037RD, 6070037GY, 6070037BE
 SBB 1200 - 6070039RD, 6070039GY, 6070039BE
 CP 750 - 6070022RD, 6070022GY, 6070022BE
 CP 900 - 6070026RD, 6070026GY, 6070026BE
 CP 1150 - 6070028RD, 6070028GY, 6070028BE



REPLACEMENT PARTS MANUAL

Date Issued
1-Nov-16

Product Section Details

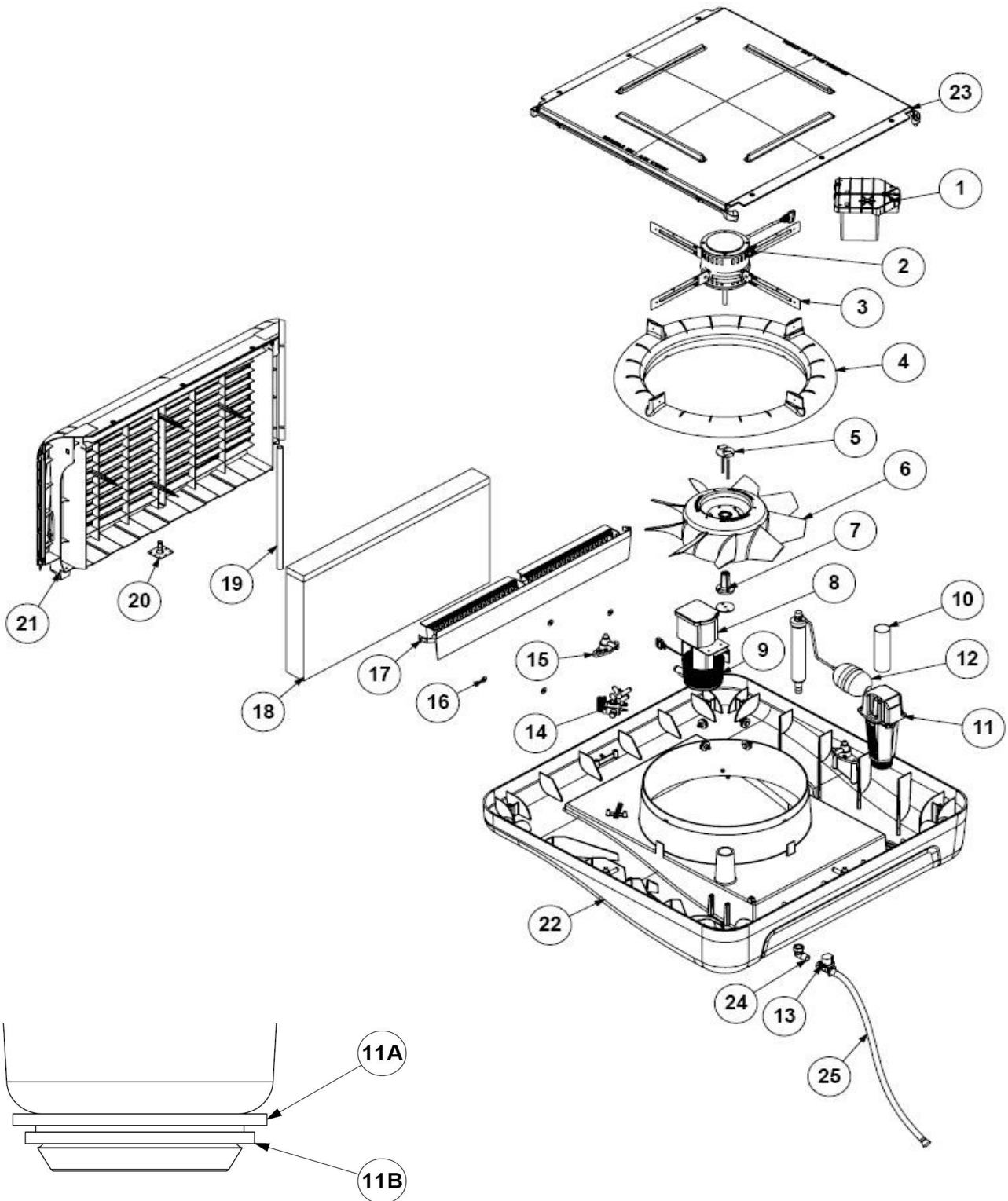
Section No
C4.29

Issue Status
C

SBB & CP Ducted EAC

SBB 2015, CP 2015
SBB 800, SBB 950, SBB 1200, CP750, CP 900, CP 1150

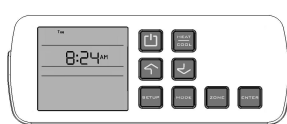
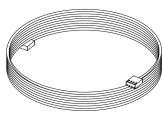
Page
1



1A

1B

1C



© Copyright 2012

Manufactured by: Climate Technologies ABN 13 001 418 042



REPLACEMENT PARTS MANUAL

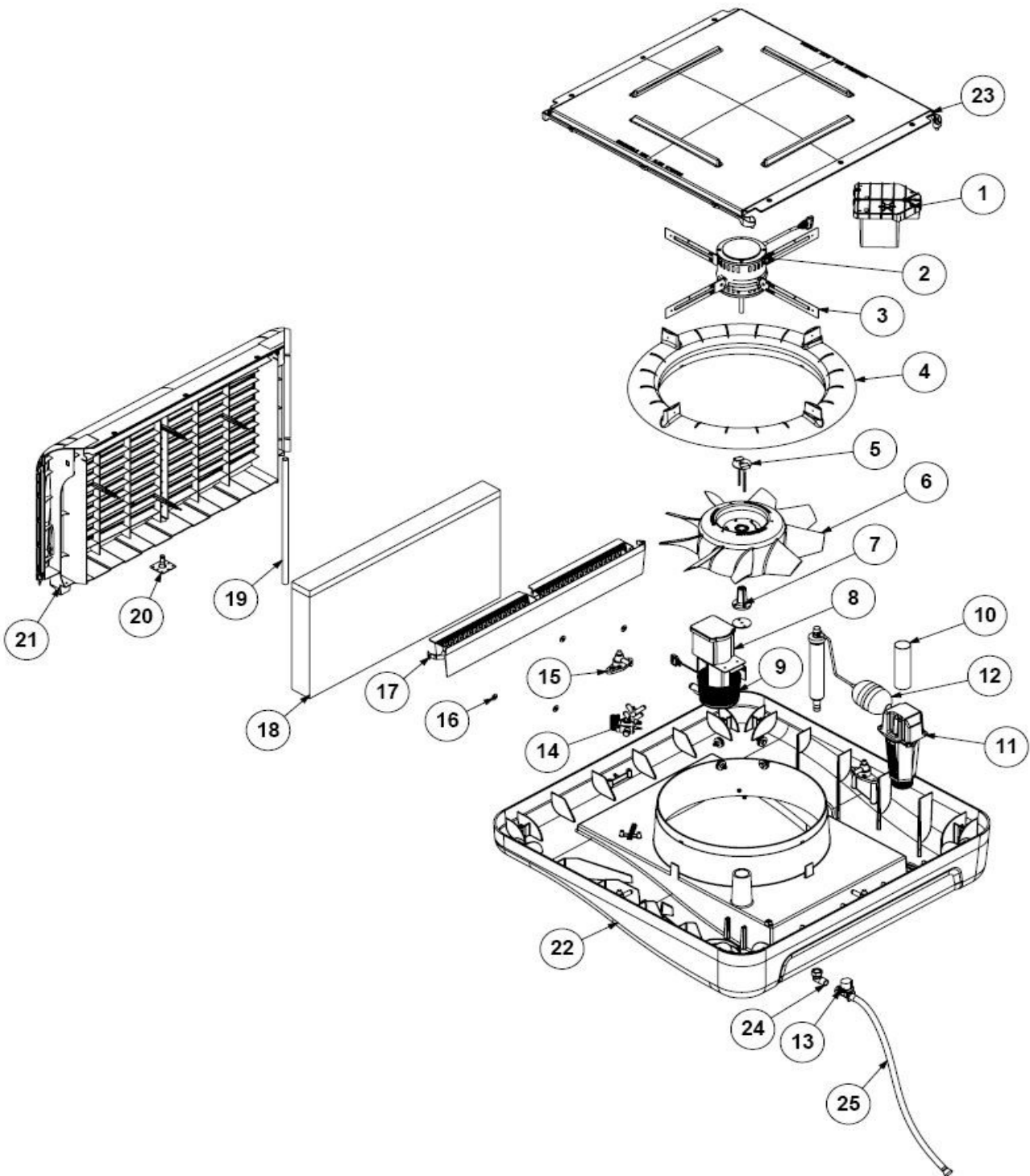
Date Issued 1-Nov-16	Product Section Details SBB & CP Ducted EAC	Section No C4.29
Issue Status C	SBB 2015, CP 2015 SBB 800, SBB 950, SBB 1200, CP750, CP 900, CP 1150	Page 2

ITEM NUMBER	DESCRIPTION	PART NUMBER	COMMENTS
1	CONTROL BOARD TYT 2010	6061650SP	
1A	BONAIRE SLIMLINE CONTROLLER	5431011SP	SBB
	CELAIR SLIMLINE CONTROLLER	5431012SP	CP
1B	LOOM WIRING LV 20M TEKELEK	6051619SP	
1C	BONAIRE NAVIGATOR CONTROLLER	5431024SP	SBB
	CELAIR NAVIGATOR CONTROLLER	5431023SP	CP
2	MOTOR DEAC 750W WITH PLUG	6061625SP	SBB 950, CP1150
	CAPACITOR 25uF 450V P2 CLASS	0160187SP	SBB 950, SBB1200, CP 1150
	MOTOR DEAC 600W WITH PLUG	6061620SP	SBB 800, CP 750, CP 900
	CAPACITOR 15uF 450V P2 CLASS	0160185SP	SBB 800, CP 750, CP 900
	MOTOR DEAC 950W WITH PLUG	6061635SP	SBB 1200
3	BRACKET MOTOR SUPPORT	6051605SP	
4	VENTURI	6080105SP	
5	COLLET BOLT & WASHER ASSEMBLY	6080812SP	
6	FAN LARGE	6080805SP	SBB 950, CP 900, CP 1150
	FAN SMALL	6080801SP	SBB 800, CP 750
	493MM DIA FAN	6070815SP	SBB 1200
7	FAN COLLET	6080807SP	SBB 800, SBB 950, CP
		6050805SP	SBB 1200
8	PUMP ASSEMBLY WITH PLUG	6060801SP	
9	STRAINER	6050811SP	
10	OVERFLOW FITTING ASSEMBLY	6050920SP	
11	AQUAMISER VALVE KIT (OPTIONAL)	6051658SP	
	AQUAMISER VALVE ONLY	6051664SP	
11A	AQUAMISER WASHER	6050188SP	
11B	AQUAMISER VALVE WASHER- SEAL	6050196SP	
12	BALL VALVE - CISTERN	6050916SP	
13	SOLENOID DUMP VALVE 24V	0080591SP	
14	VALVE WD & BLEED	6080110SP	
15	CONNECTOR ASSEMBLY	6080113SP	
16	NUT FilterCool RETAINING	6051313SP	
17	WATER DISTRIBUTER	6080106SP	
18	FilterCool LARGE	6080160SP	SBB 950, SBB1200, CP 900, CP 1150
	FilterCool SMALL	6080140SP	SBB 800, CP 750
	FilterCool CLIP & WASHER (PACK 6)	6050172SP	
19	TUBE WD LARGE	6080921SP	SBB 950, SBB1200, CP 900, CP 1150
	TUBE WD SMALL	6080920SP	SBB 800, CP 750
20	LOUVRE SPIGOT	6080112SP	



REPLACEMENT PARTS MANUAL

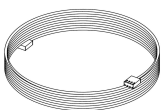
Date Issued 1-Nov-16	Product Section Details SBB & CP Ducted EAC	Section No C4.29
Issue Status C	SBB 2015, CP 2015 SBB 800, SBB 950, SBB 1200, CP750, CP 900, CP 1150	Page 3



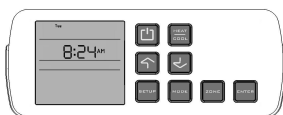
1A



1B



1C



© Copyright 2012



REPLACEMENT PARTS MANUAL

Date Issued 1-Nov-16	Product Section Details SBB & CP Ducted EAC	Section No C4.29
Issue Status C	SBB 2015, CP 2015 SBB 800, SBB 950, SBB 1200, CP750, CP 900, CP 1150	Page 4

ITEM NUMBER	DESCRIPTION	PART NUMBER	COMMENTS
21	GRILLE LARGE - BEIGE	6080252BESP	SBB 950, SBB 1200
		6080227BESP	CP 900, CP 1150
	GRILLE LARGE - GREY	6080252GYSP	SBB 950, SBB 1200
		6080227GYSP	CP 900, CP 1150
	GRILLE LARGE - RED	6080252RDSP	SBB 950, SBB 1200
		6080227RDSP	CP 900, CP 1150
	GRILLE SMALL - BEIGE	6080251BESP	SBB 800
		6080226BESP	CP 750
	GRILLE SMALL - GREY	6080251GYSP	SBB 800
		6080226GYSP	CP 750
		6080251RDSP	SBB 800
		6080226RDSP	CP 750
22	TANK SLOPED - BEIGE	6080115BESP	
	TANK SLOPED - GREY	6080115GYSP	
	TANK SLOPED - RED	6080115RDSP	
23	LID - BEIGE	6080102BESP	
	LID - GREY	6080102GYSP	
	LID - RED	6080102RDSP	
24	ELBOW WATER INLET 1/2" BSP	6050913SP	
25	FLEXI CONNECTOR 300 x 1/2	6031902SP	



REPLACEMENT PARTS MANUAL

Date Issued
1-Nov-16

Product Section Details

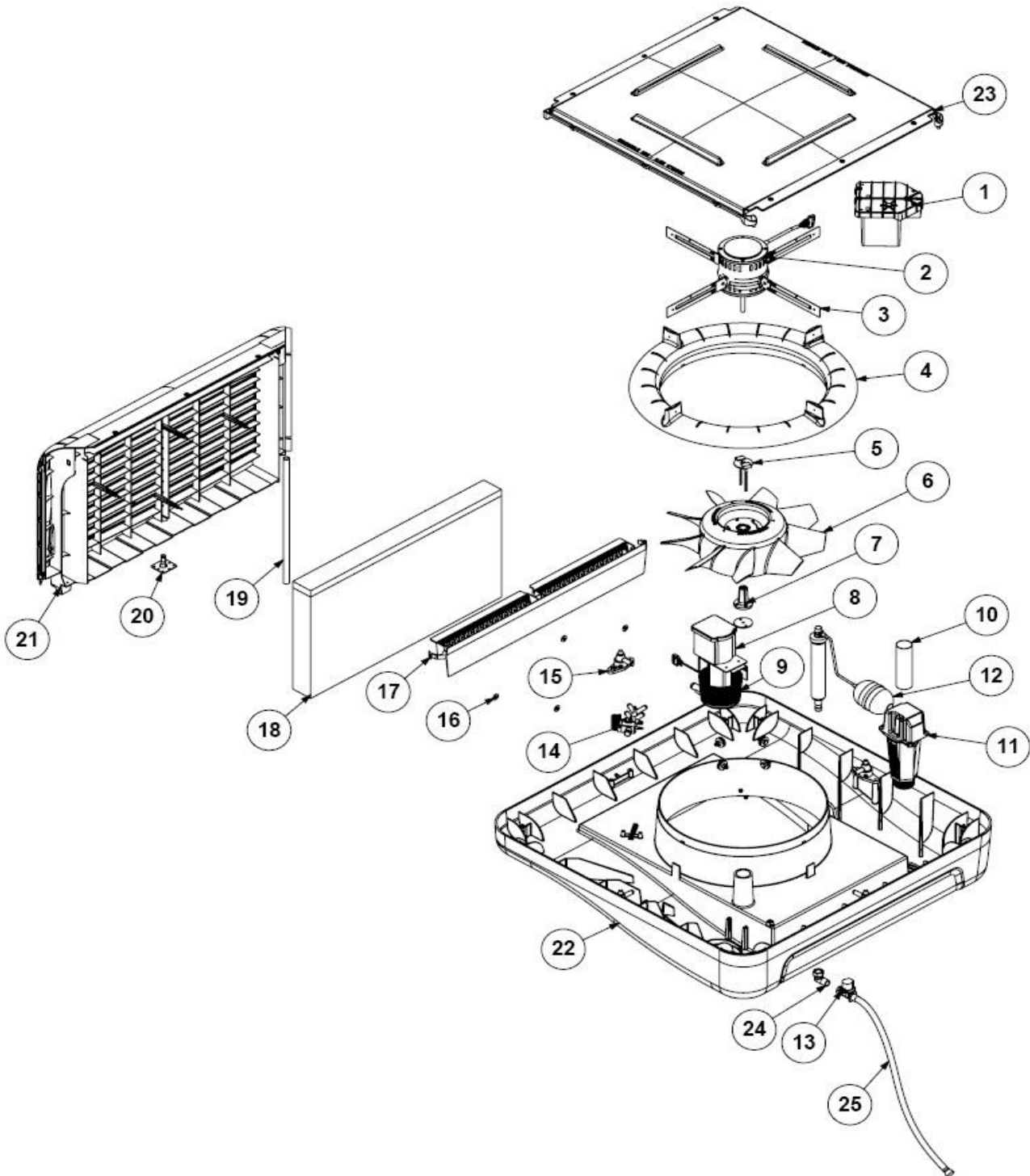
Section No
C4.29

Issue Status
C

SBB & CP Ducted EAC

SBB 2015, CP 2015
SBB 800, SBB 950, SBB 1200, CP750, CP 900, CP 1150

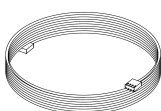
Page
5



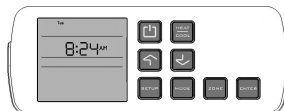
1A



1B



1C



© Copyright 2012



“Excelling today for a better tomorrow”

Text and Illustration Copyright Climate Technologies 2012

All rights reserved. No part of this document may be reproduced or transmitted in any form or by any means, electronic or mechanical, including photocopying, recording or by any information storage and retrieval system, without prior permission in writing from Climate Technologies

In the interest of continued product improvement Climate Technologies reserves the right to alter specifications without notice. E.&O.E.