



REPLACEMENT PARTS MANUAL

Date Issued
1-Nov-16

Product Section Details

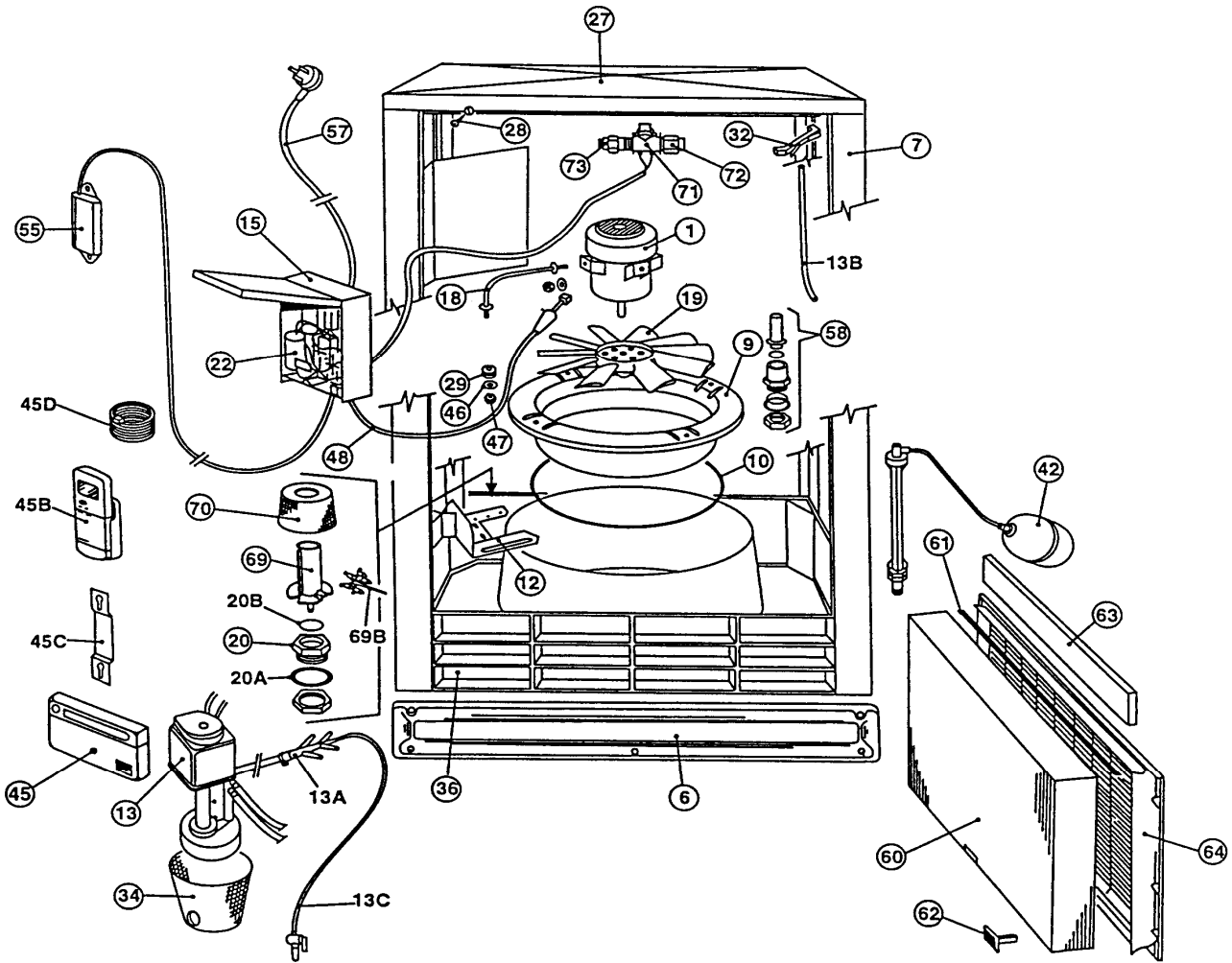
Section No
C4.16

Issue Status
G

BONAIRE DUCTED AXIAL E.A.C.

Envirotech : VSM45, VSM52, VSM57
RELEASED OCTOBER 1998

Page
1





REPLACEMENT PARTS MANUAL

Date Issued 1-Nov-16	Product Section Details BONAIRE DUCTED AXIAL E.A.C.	Section No C4.16
Issue Status G	Envirotech : VSM45, VSM52, VSM57 RELEASED OCTOBER 1998	Page 2

ITEM NUMBER	DESCRIPTION	PART NUMBER	COMMENTS
1	MOTOR - 0.425 KW V/S 1PH	6011636SP	TO SUIT VSM45
	MOTOR - 0.75 KW V/S 1PH (RESIL	6021615SP	TO SUIT VSM52 & VSM57
	WHEN VARIABLE SPEED MOTORS STOCK DE		
6	FASCIA LARGE - BEIGE	6030105SP	TILL STOCKS DEPLETED
	FASCIA LARGE - CHOCOLATE	6030109SP	TILL STOCKS DEPLETED
	FASCIA LARGE - TERRACOTA RED	N.L.A	
	FASCIA LARGE - SLATE GREY	6030106SP	TILL STOCKS DEPLETED
	FASCIA LARGE - HERITAGE GREEN	6030108SP	TILL STOCKS DEPLETED
7	CORNER POST	6030101SP	TILL STOCKS DEPLETED
9	INLET RING - DS 01- 31	2440138SP	
10	ISOLATING RUBBER	2440123SP	
12	BRACKET PUMP MOUNTING	N.L.A	
13	PUMP ASSEMBLY	6050812SP	
13A	WATER DISTRIBUTOR 'Y' PIECE	6020161SP	
13B	WATER HOSE KIT - CHARCOAL	0120609SP	
13C	BLEED OFF TUBE & TAP ASS	6000172SP	
15	CONTROL BOX - PNE VARIABLE SPD	6051609SP	
	FUSE 10AMP	6011320SP	
	FUSE - 2 AMP QUICK BLOW	6031603SP	
18	MOTOR MOUNTING ARM	2440828SP	
19	IMPELLER 485MM - 25 x 1/2" (R	2441368SP	TO SUIT VSM45
	IMPELLER 485MM - 30 x 1/2" (B	2441369SP	TO SUIT VSM52
	IMPELLER 485MM - 35 x 1/2" (G	2441370SP	TO SUIT VSM57
20	OVERFLOW FITTING ASSEMBLY - 2"	0730156SP	
20A	WASHER - RUBBER	0730154SP	
20B	O RING - BS 226	0100802SP	
22	CAPACITOR - 10 MF 440V	0160165SP	TO SUIT VSM45
	CAPACITOR - 12 MF 440V	0160166SP	TO SUIT VSM52
	CAPACITOR - 25 MF 400V	0160168SP	TO SUIT VSM57
26	BRACKET - CONTROL MOUNTING	N.L.A	
	BRACKET - CONTROL SUPPORT	N.L.A	
27	PANEL TOP	6030102SP	TILL STOCKS DEPLETED
28	LOUVRE LATCH	6001326SP	
29	GROMMET - MACAM 223	0121525SP	
32	WATER DISTRIBUTOR	6000154SP	
34	STRAINER COMMERCIAL PUMPS	2310151SP	
36	TANK BLEED SYSTEM	6000162SP	TILL STOCKS DEPLETED
42	BALL VALVE - PHILMAC	6050911SP	
	PLUNGER - 1/2" BALL VALVE	6000182SP	



REPLACEMENT PARTS MANUAL

Date Issued
1-Nov-16

Product Section Details

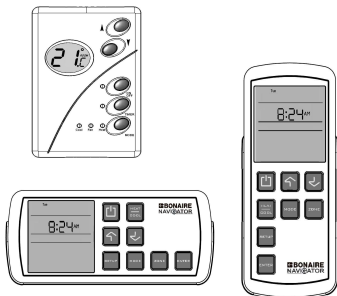
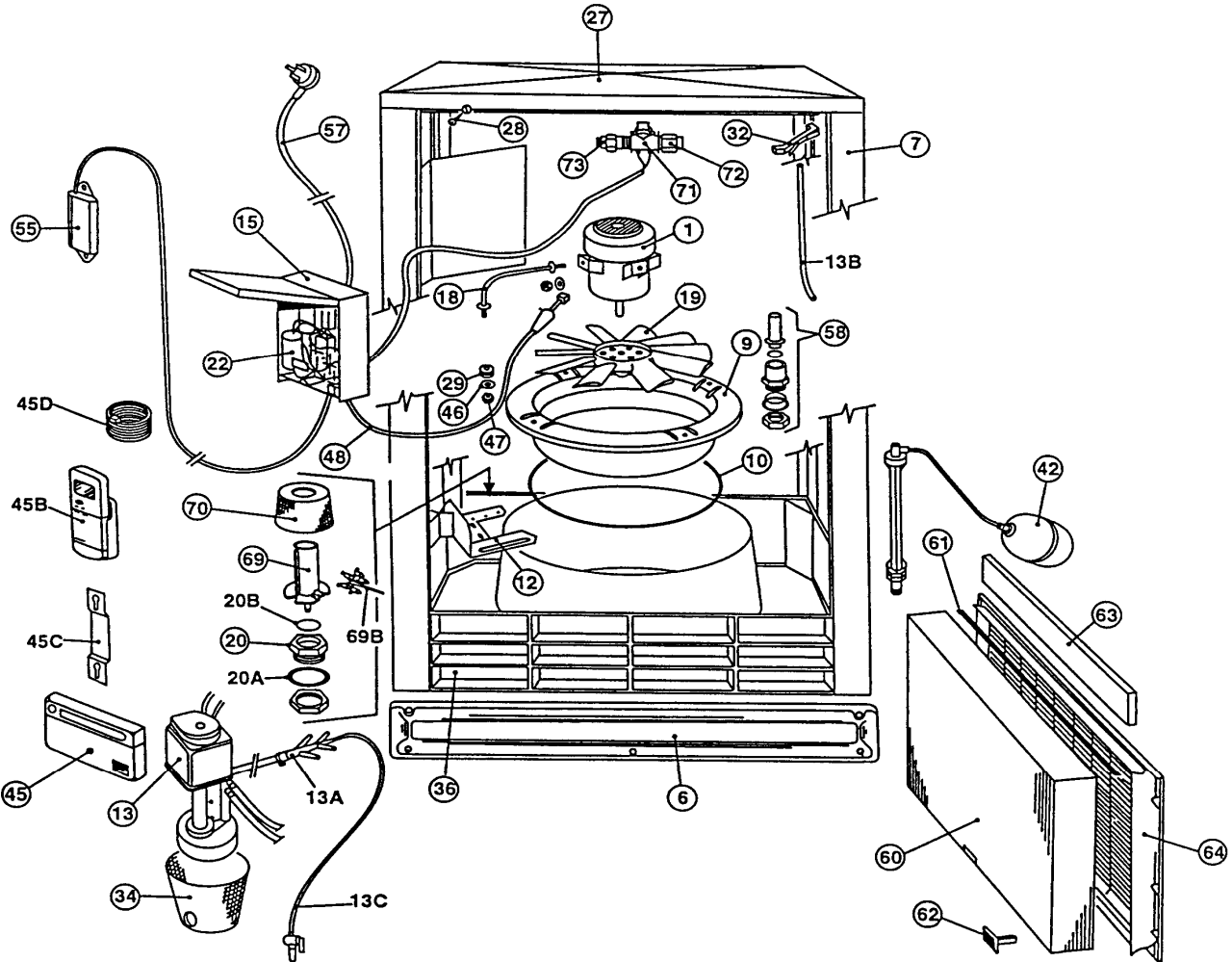
Section No
C4.16

Issue Status
G

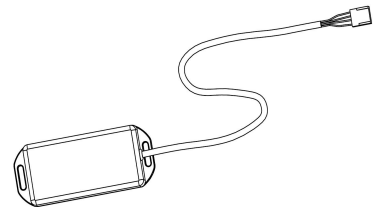
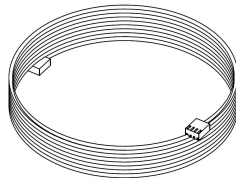
BONAIRE DUCTED AXIAL E.A.C.

Envirotech : VSM45, VSM52, VSM57
RELEASED OCTOBER 1998

Page
3



TYTRONICS Controls



© Copyright 2001



REPLACEMENT PARTS MANUAL

Date Issued 1-Nov-16	Product Section Details BONAIRE DUCTED AXIAL E.A.C.	Section No C4.16
Issue Status G	Envirotech : VSM45, VSM52, VSM57 RELEASED OCTOBER 1998	Page 4

ITEM NUMBER	DESCRIPTION	PART NUMBER	COMMENTS
45	WALL CONTROL VULCAN - S/BREEZE	5311635SP	
45B	CONTROL BOX - VARIABLE SPD	6061605SP	TILL STOCKS DEPLETED
	CONTROL BOARD ONLY	6061611SP	TILL STOCKS DEPLETED
	FUSE 10AMP 240V - SLOW BLOW	6011320SP	TILL STOCKS DEPLETED
	FUSE 2AMP - 24V CIRCUIT	6031603SP	TILL STOCKS DEPLETED
	WALL CONTROL - RF Control Only	5001619SP	TILL STOCKS DEPLETED
	WALL CONTROL - RF Control, Antenna, Loom	5001635SP	TILL STOCKS DEPLETED
	WALL CONTROL - PREMIUM PNE	5001656SP	TILL STOCKS DEPLETED
	WALL CONTROL - TOUCHPAD PNE	6051638SP	TILL STOCKS DEPLETED
	ANTENNA - PNE RF	5001618SP	TILL STOCKS DEPLETED
45C	BRACKET - WALL CONTROL	6012001SP	
45D	LOOM WIRING LV 20 MTR PNE	2511617SP	TILL STOCKS DEPLETED
	TYTRONICS - PNE UPGRADE KITS		
	TYTRONICS - PNE UPGRADE KITS		
	CONTR PNE->TYT DEAC RF NAV	6061680SP	RF KIT
	CONTR PNE->TYT DEAC LV NAV	6061681SP	LV KIT
	CONTR PNE->TYT EAC LV SLIMLINE	60616802P	SLIMLINE KIT
	CONTR PNE->TYT DEAC ADDN KIT	60616803P	CONTROL BOX KIT ONLY
	CONTR RETROFIT PNE - TYT EAC	6061616SP	Add PNE cooler to Tytronics heating system
	PLEASE NOTE:- THE CONTROL BOARD	BASE	BE MUST MOUNTED TO THE UNIT LID
46	WASHER - M10X21X1.6 Z/P	0142365SP	
47	NUT - 3/8" NYLOC	0141247SP	
	NUT - 3/8" FORGED	0141246SP	
48	WIRING HARNES - V/S	6011622SP	MOTOR TO ISOLATING BOX
55	ANTENNA - PNE RF	5001618SP	
57	SERVICE LEAD - 10AMP BLACK	6301601SP	
58	OVERFLOW PIPE ASSEMBLY 1"	2441372SP	
60	FILTERCOOL 75MM - MEDIUM CAB X 1	6011308SP	
61	TAPE FOAM 18MM X 4.8MM	0130310SP	
62	CLIP - PAD RETENTION	6000138SP	
63	EXTRUSION - PAD RETENTION	6000139SP	
64	LOUVRE - BEIGE	6010108SP	
	LOUVRE - CHOCOLATE	6010109SP	
	LOUVRE - SLATE GREY	6010111SP	
	LOUVRE - TERRACOTTA	N.L.A	
	LOUVRE - HERITAGE GREEN	6010118SP	
69B	BLEED BUSH SET	6000173SP	TILL STOCKS DEPLETED
70	BLEED BASKET - MODIFIED	6000174SP	TILL STOCKS DEPLETED
71	SOLENOID - ENVIROFLOW 24V AC	0080591SP	
	SOLENOID INTERFACE - PNE	6051315SP	24 VOLT INPUT
	TRANSFORMER - 240V - 24V	6011330SP	SOLENOID + TRANSFORMER
	TRANSFORMER - 240V TO 24V	0162723SP	TRANSFORMER ONLY



REPLACEMENT PARTS MANUAL

Date Issued
1-Nov-16

Product Section Details

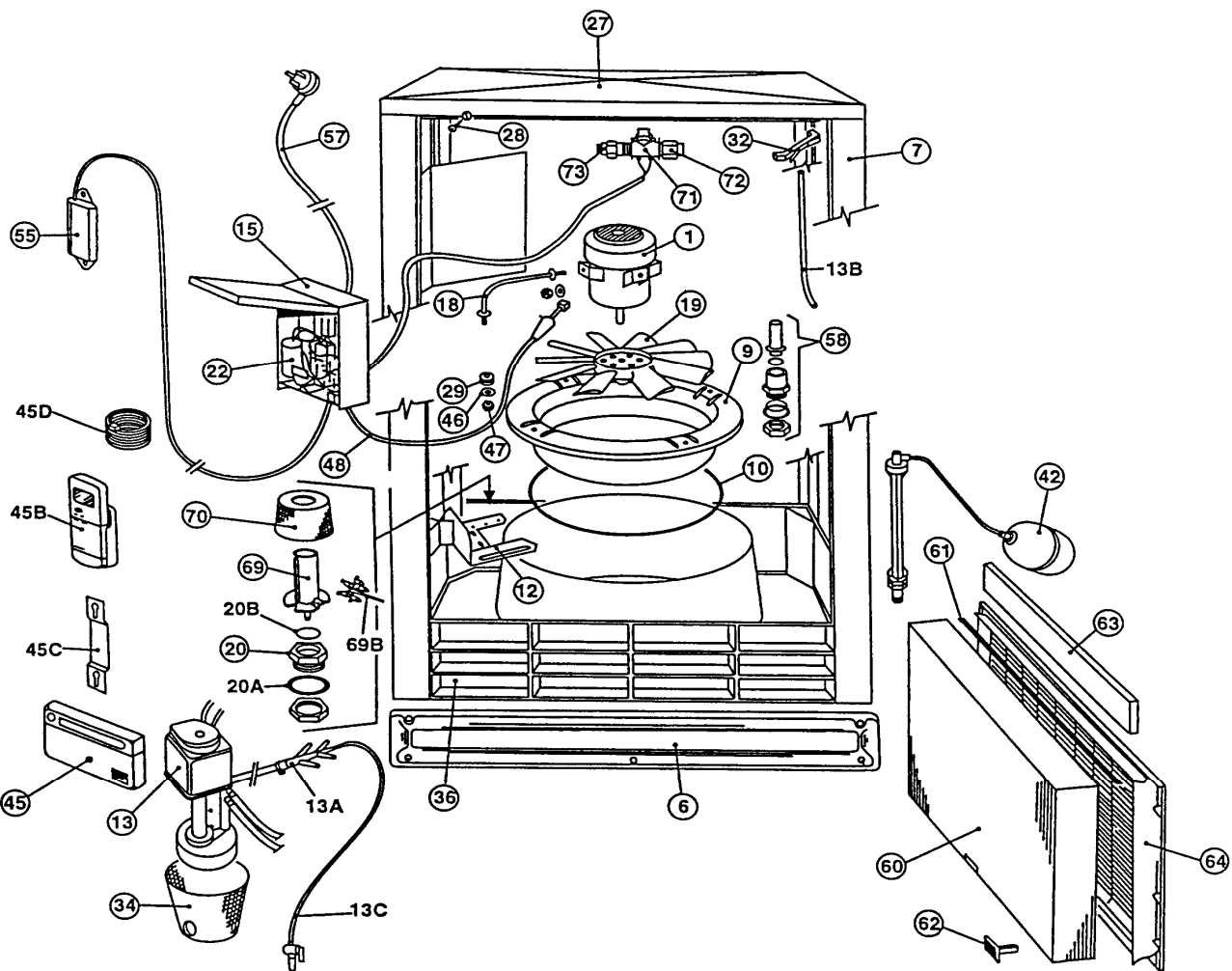
Section No
C4.16

Issue Status
G

BONAIRE DUCTED AXIAL E.A.C.

Envirotech : VSM45, VSM52, VSM57
RELEASED OCTOBER 1998

Page
5





REPLACEMENT PARTS MANUAL

Date Issued 1-Nov-16	Product Section Details BONAIRE DUCTED AXIAL E.A.C.	Section No C4.16
Issue Status G	Envirotech : VSM45, VSM52, VSM57 RELEASED OCTOBER 1998	Page 6

ITEM NUMBER	DESCRIPTION	PART NUMBER	COMMENTS
72	ADAPTOR - 3/4"F - 1/2"F BSP	0122970SP	TILL STOCKS DEPLETED
73	ADAPTOR - 3/4"F - 1/2"M BSP	0122971SP	TILL STOCKS DEPLETED
	REWORK KIT - ENVIROFLOW MKII	6001347SP	TILL STOCKS DEPLETED
	ACCESSORIES		
	WATER MAN. KIT AUTO - ENVIROF	N.L.A	
	BLEED OFF KIT VSL	N.L.A	
	SUPERCLEAN DUMP VALVE KIT	6001331SP	
	WINTER COVER - BEIGE MED	N.L.A	
	WINTER COVER - CHOCOLATE	6011336SP	TILL STOCK DEPLETED
	WINTER COVER - RED MEDIU	6011339SP	TILL STOCK DEPLETED
	WINTER COVER - SLATE GRE	6011338SP	TILL STOCK DEPLETED
	WINTER COVER - GREEN MED	6011340SP	TILL STOCK DEPLETED
	RAIL - WINTER COVER	2441317SP	NO LONGER AVILABLE