



REPLACEMENT PARTS MANUAL

Date Issued
1-Nov-16

Product Section Details

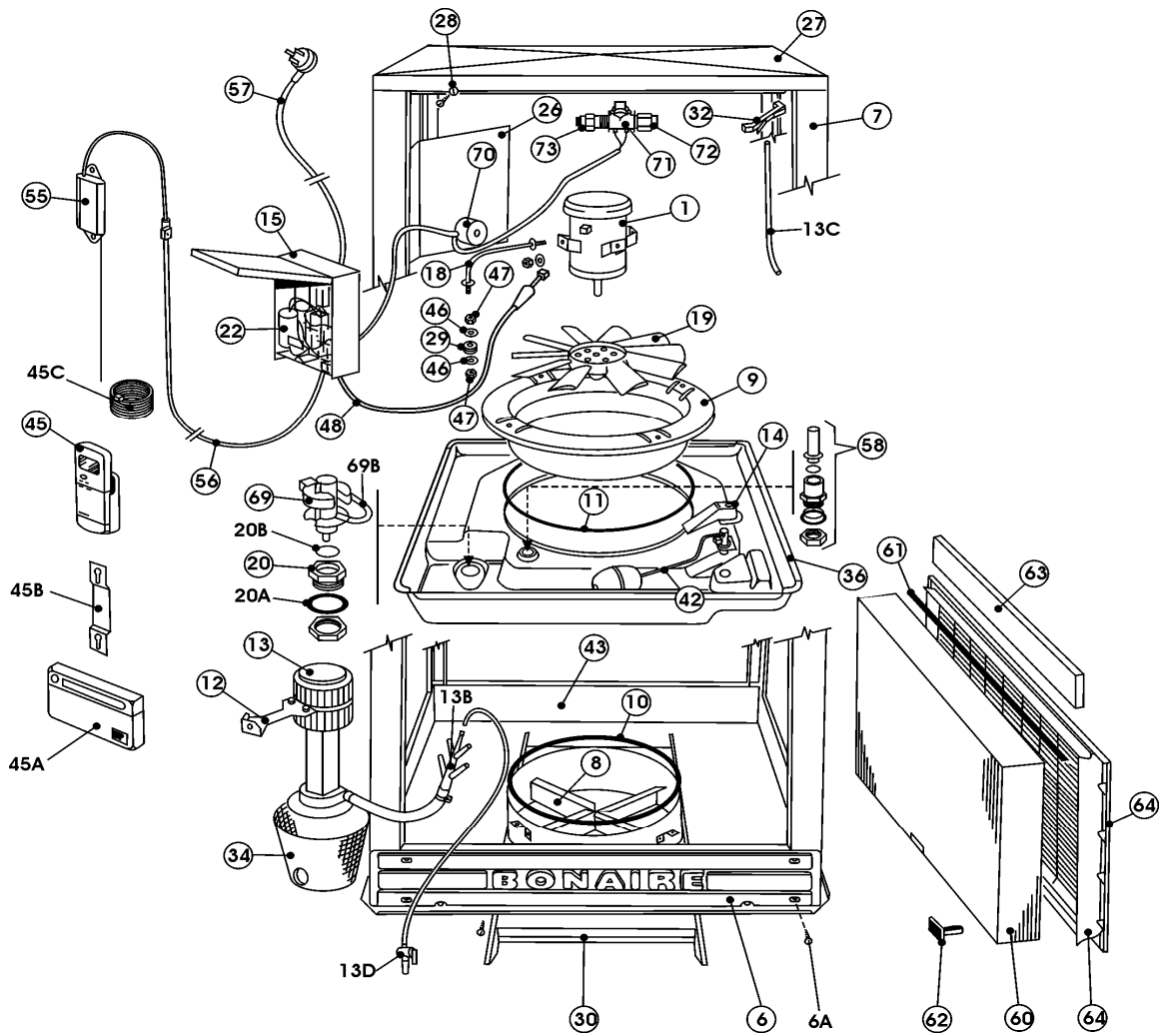
Section No
C4.15

Issue Status
H

BONAIRE DUCTED AXIAL E.A.C.

Envirotech: VSL63, VSL66, VSL72
1995 Release

Page
1





REPLACEMENT PARTS MANUAL

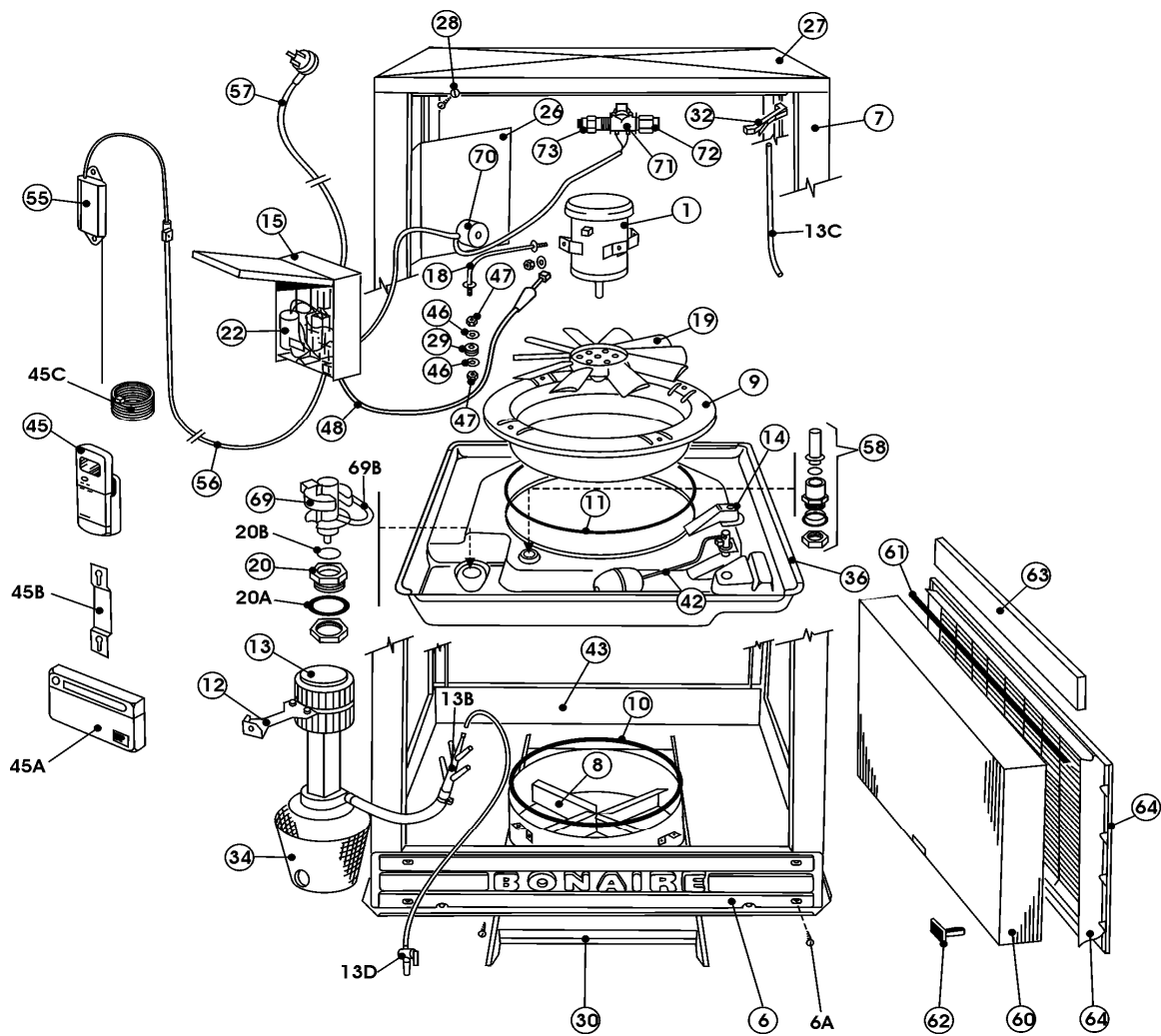
Date Issued 1-Nov-16	Product Section Details BONAIRE DUCTED AXIAL E.A.C.	Section No C4.15
Issue Status H	Envirotech: VSL63, VSL66, VSL72 1995 Release	Page 2

ITEM NUMBER	DESCRIPTION	PART NUMBER	COMMENTS
1	MOTOR - 0.75 KW V/S 1PH (RESIL)	6021615SP	TO SUIT VSL63
	MOTOR - 0.95KW V/S 1PH	6021614SP	TO SUIT VSL66 & VSL72
	WHEN VARIABLE SPED MOTOR STOCKS		REFER SECTION C4.22
6	FASCIA LARGE - BEIGE	6020102SP	
	FASCIA LARGE - CHOCOLATE	6021304SP	
	FASCIA LARGE - TERRACOTTA	6021305SP	NO LONGER AVAILABLE
	FASCIA SLATE GREY	N.L.A	
	FASCIA LARGE - HERITAGE RED	6021322SP	
	FASCIA LARGE - HERITAGE GREEN	6021323SP	
6A	CLIP - FASCIA RETAINING	6000127SP	
7	CORNER POST	N.L.A	
8	AIR STRAIGHTENING VANE	N.L.A	
9	INLET RING - DS150 - 195	6020136SP	
10	RUBBER SEAL - INLET RING	6020128SP	
11	RUBBER SEAL - TANK	N.L.A	
12	BRACKET - PUMP MOUNTING	N.L.A	
13	PUMP ASSEMBLY	6050812SP	
	PUMP MULTIFLO FITTINGS	2311323SP	SEE SPECIAL COMMENTS
14	SPLASH GUARD - BALL VALVE	2440160SP	
15	CONTROL BOX - DELUXE (TEKELEK)	6001641SP	
	CONTROL BOX - PREMIUM (NEWTRONICS)	N.L.A	
	CONTROL BOX - ULTIMATE (NEWTRONICS)	6001643SP	NO LONGER AVAILABLE
	FOR SPEED CONTROL UPGRADES TO	REFER	SECTION C4.25
	THE CURRENT CONTROL SYSTEMS		
18	MOTOR MOUNTING ARM	6020115SP	
19	IMPELLER 485MM - 25 x 1/2" (RE)	6020810SP	TO SUIT VSL63 - RED
	IMPELLER 560MM - 30 x 5/8" (BL)	6020811SP	TO SUIT VSL66 - BLUE
	IMPELLER 560MM - 35 x 5/8" (GR)	6020812SP	TO SUIT VSL72 - GREEN
20	OVERFLOW FITTING ASSEMBLY - 2"	0730156SP	
	WASHER - RUBBER	0730154SP	
	O RING - BS 226	0100802SP	
22	CAPACITOR - 25 MF 400V	0160168SP	TO SUIT VSL63 & VSL66
	CAPACITOR - 30 MF 440V	0160174SP	TO SUIT VSL72
26	BRACKET - CONTROL BOX	6000123SP	2 PER SET
27	PANEL TOP	6020105SP	
28	LOUVRE LATCH	6001326SP	2 PER SET
29	GROMMET - MACAM 223	0121525SP	
30	ADAPTOR CHANNEL KIT	N.L.A	
32	WATER DISTRIBUTOR	6000154SP	
34	STRAINER COMMERCIAL PUMPS	2310151SP	
36	BOTTOM TANK	N.L.A	
41	EXTENSION TUBE - BALL VALVE	6000129SP	
42	BALL VALVE - 1/2" (PLUNGER)	0100102SP	
43	BASE PANEL	N.L.A	



REPLACEMENT PARTS MANUAL

Date Issued 1-Nov-16	Product Section Details BONAIRE DUCTED AXIAL E.A.C.	Section No C4.15
Issue Status H	Envirotech: VSL63, VSL66, VSL72 1995 Release	Page 3





REPLACEMENT PARTS MANUAL

Date Issued
1-Nov-16

Product Section Details

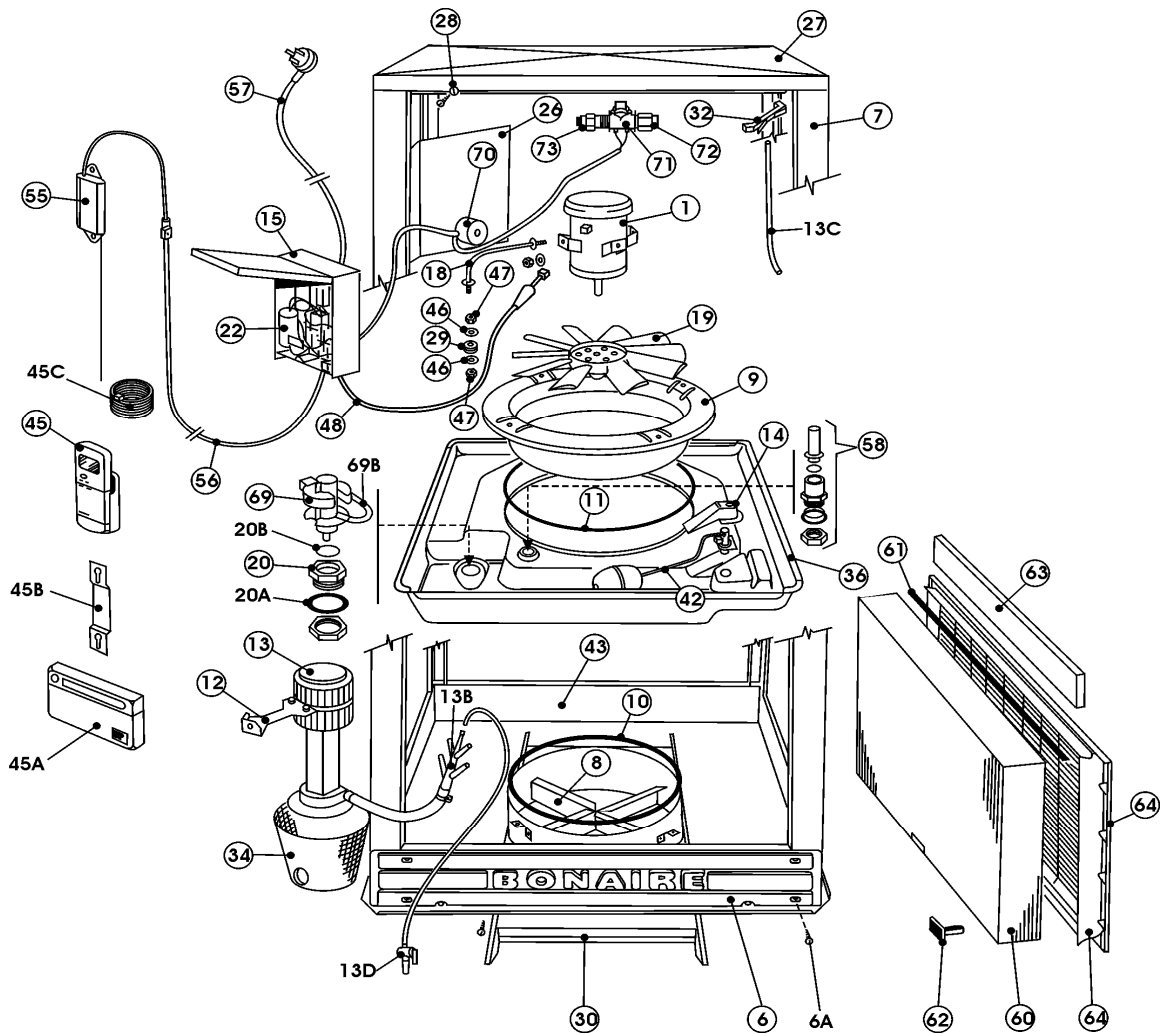
Section No
C4.15

Issue Status
H

BONAIRE DUCTED AXIAL E.A.C.

Envirotech: VSL63, VSL66, VSL72
1995 Release

Page
5





REPLACEMENT PARTS MANUAL

Date Issued 1-Nov-16	Product Section Details BONAIRE DUCTED AXIAL E.A.C.	Section No C4.15
Issue Status H	Envirotech: VSL63, VSL66, VSL72 1995 Release	Page 6

ITEM NUMBER	DESCRIPTION	PART NUMBER	COMMENTS
68	SUPERCLEAN DUMP VALVE KIT	6001331SP	
	WINTER COVER - BEIGE	6021345SP	
	WINTER COVER - CHOCOLATE	6021346SP	
	WINTER COVER - TERRACOTTA	N.L.A	
	WINTER COVER - SLATE GRE	6021348SP	
	WINTER COVER - RED LARGE	6021349SP	
	WINTER COVER - GREEN LAR	6021350SP	
	WINTER COVER RAIL	6020107SP	NO LONGER AVAILABLE
	SPECIAL COMMENTS		
	PUMP ACCESSORY KIT MAY BE REQUIRED		
	IF REPLACING ORIGINAL PUMP		