



REPLACEMENT PARTS MANUAL

Date Issued
1-Nov-16

Product Section Details

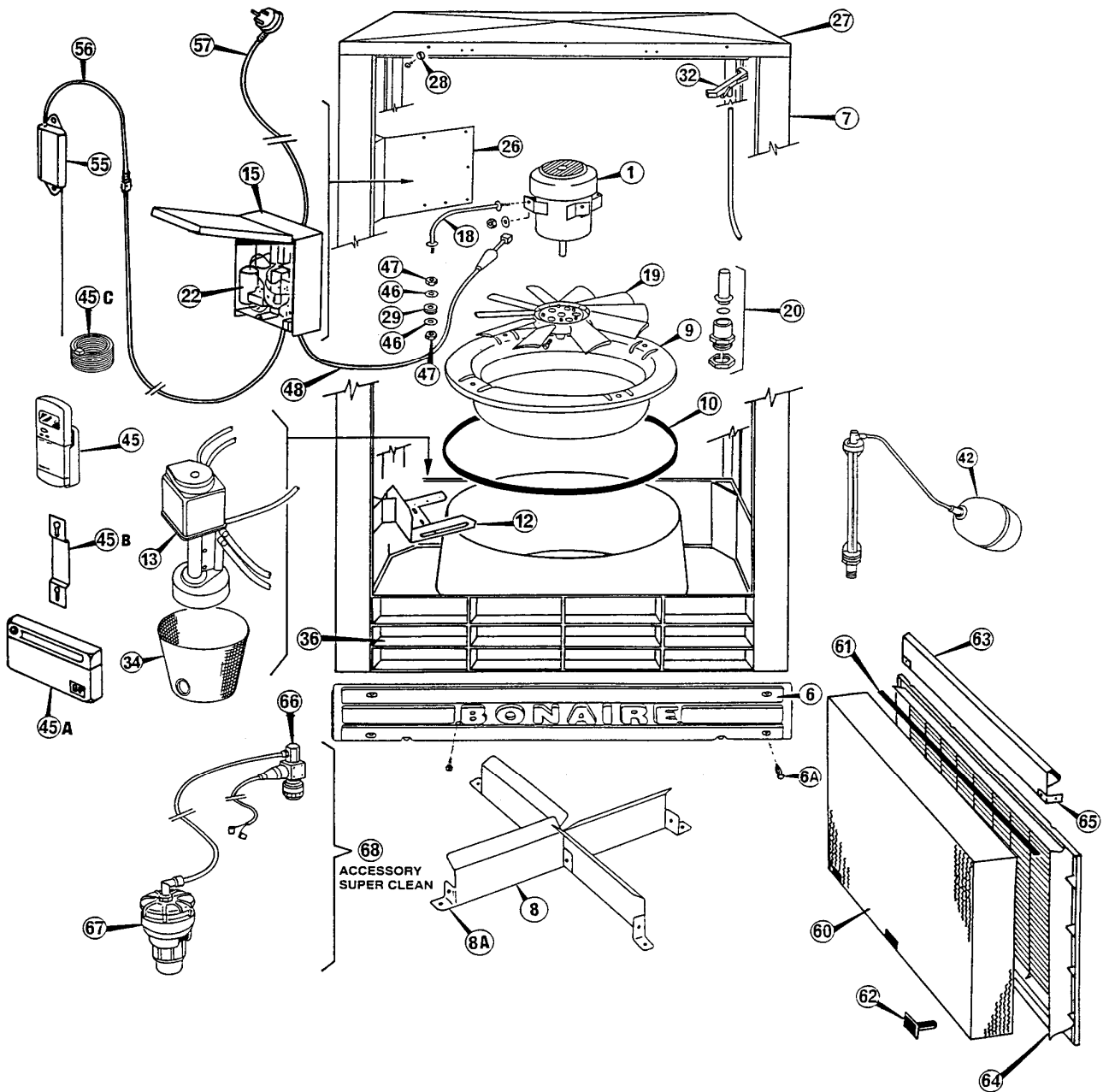
Section No
C4.14

Issue Status
G

BONAIRE DUCTED AXIAL E.A.C.

Envirotech VSM45, VSM52, VSM57.
Release 1995

Page
1





REPLACEMENT PARTS MANUAL

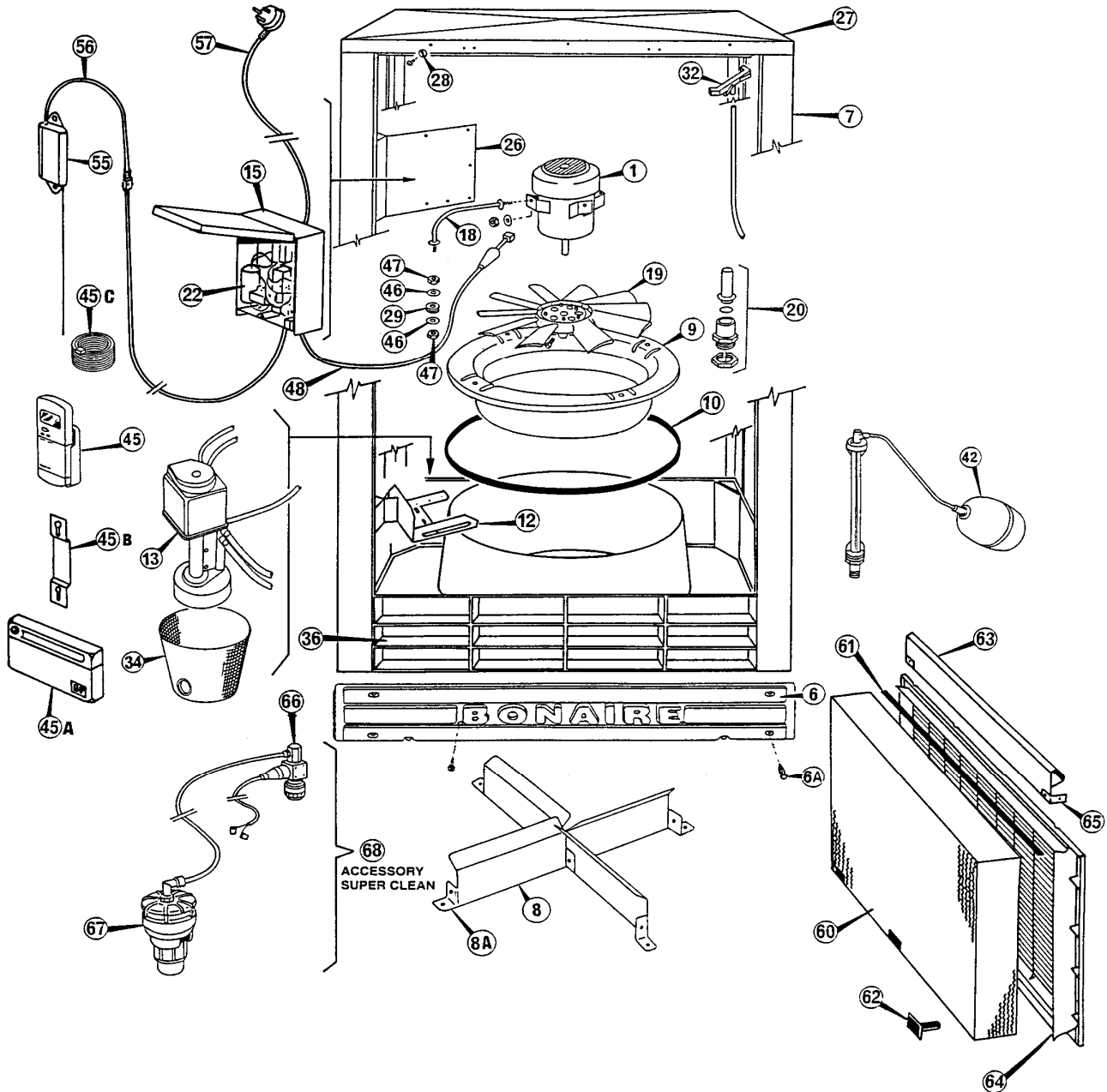
Date Issued 1-Nov-16	Product Section Details BONAIRE DUCTED AXIAL E.A.C.	Section No C4.14
Issue Status G	Envirotech VSM45, VSM52, VSM57. Release 1995	Page 2

ITEM NUMBER	DESCRIPTION	PART NUMBER	COMMENTS
1	MOTOR - 0.425 KW V/S 1PH	6011636SP	TO SUIT VSM45
	MOTOR - 0.75 KW V/S 1PH (RESIL	6021615SP	TO SUIT VSM52 & VSM57
	WHEN VARIABLE SPEED MOTORS STOCK DEPLE		
6	FASCIA SMALL - BEIGE	N.L.A	
	FASCIA SMALL - CHOCOLATE	N.L.A	
	FASCIA SMALL - TERRACOTTA	N.L.A	
	FASCIA SMALL - SLATE GREY	N.L.A	
	FASCIA SMALL - HERITAGE RED	N.L.A	
	FASCIA SMALL - HERITAGE GREEN	N.L.A	
6a	CLIP - FASCIA RETAINING	6000127SP	
7	CORNER POST	N.L.A	
8	AIR STRAIGHTENING VANE	N.L.A	
8a	AIR STRAIGHTENING VANE; BRACKET	N.L.A	
9	INLET RING - DS 01- 31	2440138SP	
10	ISOLATING RUBBER	2440123SP	
12	BRACKET - PUMP MOUNTING	N.L.A	
13	PUMP ASSEMBLY	6050812SP	
	PUMP MULTIFLO FITTINGS	2311323SP	SEE SPECIAL COMMENTS
15	CONTROL BOX - DELUXE (TEKELEK)	6001641SP	
	CONTROL BOX- PREMIUM (NEWTRONICS)	N.L.A	
	CONTROL BOX - ULTIMATE (NEWTR.	6001643SP	NO LONGER AVAILABLE
	FOR SPEED CONTROL UPDATES	REFER	SECTION C4.25
	TO THE CURRENT CONTROL SYSTEMS		
18	MOTOR MOUNTING ARM	2440828SP	
19	IMPELLER 485MM - 25 x 1/2" (R	2441368SP	TO SUIT VSM45
	IMPELLER 485MM - 30 x 1/2" (B	2441369SP	TO SUIT VSM52
	IMPELLER 485MM - 35 x 1/2" (G	2441370SP	TO SUIT VSM57
20	OVERFLOW PIPE ASSEMBLY 1"	2441372SP	
	RUBBER WASHER - OVERFLOW FITTI	2440177SP	
	O RING	2440179SP	
22	CAPACITOR - 10 MF 440V	0160165SP	TO SUIT VSM45
	CAPACITOR - 12 MF 440V	0160166SP	TO SUIT VSM52
	CAPACITOR - 25 MF 400V	0160168SP	TO SUIT VSM57
26	BRACKET - CONTROL BOX	6000123SP	
27	PANEL TOP	2440212SP	NO LONGER AVAILABLE
28	LOUVRE LATCH	6001326SP	
29	GROMMET - MACAM 223	0121525SP	
32	WATER DISTRIBUTOR	6000154SP	
34	STRAINER COMMERCIAL PUMPS	2310151SP	
36	TANK BLEED SYSTEM	6000162SP	TILL STOCKS DEPLETED
42	BALL VALVE - PHILMAC	6050911SP	



REPLACEMENT PARTS MANUAL

Date Issued 1-Nov-16	Product Section Details BONAIRE DUCTED AXIAL E.A.C.	Section No C4.14
Issue Status G	Envirotech VSM45, VSM52, VSM57. Release 1995	Page 3





REPLACEMENT PARTS MANUAL

Date Issued 1-Nov-16	Product Section Details BONAIRE DUCTED AXIAL E.A.C.	Section No C4.14
Issue Status G	Envirotech VSM45, VSM52, VSM57. Release 1995	Page 4

ITEM NUMBER	DESCRIPTION	PART NUMBER	COMMENTS
45	WALL CONTROL - PREMIUM NEWTR.	N.L.A	NEWTRONICS
	WALL CONTROL - RF NEWTRONICS	N.L.A	SEE SECTION C4.25
45a	WALL CONTROL DELUX	6001646SP	TEKELEK
45b	BRACKET - WALL CONTROL	6012001SP	NEWTRONICS
45c	WIRING LOOM - LV 20 MTR TEK	6011631SP	TEKELEK
	WIRING LOOM - LV 20 MTR NEWT	6011619SP	NEWTRONICS
	FOR SPEED CONTROL UPDATES	REFER	SECTION C4.25
	TO THE CURRENT CONTROL SYSTEMS		
46	WASHER - M10X21X1.6 Z/P	0142365SP	
47	NUT - 3/8" NYLOC	0141247SP	
	NUT - 3/8" FORGED	0141246SP	
48	WIRING HARNES - V/S	6011622SP	MOTOR TO ISOLATING BOX
55	ANTENNA - NEWTRONICS RF	6001334SP	
56	ANTENNA LEAD - NEWTRONICS	6011620SP	
57	SERVICE LEAD	6001639SP	BOOTLACE END
	SERVICE LEAD - 10AMP BLACK	6301601SP	SPADE TERMINAL END
60	FILTERCOOLI 75MM - MEDIUM CAB X 1	6011308SP	
61	TAPE FOAM 18MM X 4.8MM	0130310SP	
62	CLIP - PAD RETENTION	6000138SP	
63	EXTRUSION - PAD RETENTION	6000139SP	
64	LOUVRE - BEIGE	6010108SP	
	LOUVRE - CHOCOLATE	6010109SP	
	LOUVRE - SLATE GREY	6010111SP	
	LOUVRE - TERRACOTTA	N.L.A	
	LOUVRE - HERITAGE RED	6010117SP	
	LOUVRE - HERITAGE GREEN	6010118SP	
65	BRACKET - PAD RETAINING	6000159SP	
66	SOLENOID - ENVIROFLOW 24V AC	0080591SP	
	TRANSFORMER - 240V - 24V	6011330SP	SOLENOID + TRANSFORMER
	TRANSFORMER - 240V TO 24V	0162723SP	TRANSFORMER ONLY
67	DUMP VALVE: BODY - (SUMP DUMP)	6001336SP	
	ACCESSORIES		
68	SUPERCLEAN DUMP VALVE KIT	6001331SP	
	WINTER COVER - BEIGE MED	N.L.A	
	WINTER COVER - CHOCOLATE	6011336SP	
	WINTER COVER - CHOCOLATE	N.L.A	
	WINTER COVER - SLATE GRE	6011338SP	
	WINTER COVER - RED MEDIU	6011339SP	
	WINTER COVER - GREEN MED	6011340SP	
	RAIL - WINTER COVER	2441317SP	NO LONGER AVAILABLE
	SPECIAL COMMENTS		
	PUMP ACCESSORY KIT MAY BE REQUIRED		
	IF REPLACING ORIGINAL PUMP		