



# REPLACEMENT PARTS MANUAL

Date Issued  
**1-Nov-16**

Product Section Details  
**WINDOW COOLER**

Section No  
**C3.03**

Issue Status  
**C**

Page



## **BONAIRE SIDE DISCHARGE WINDOW**

6600001 Bonaire Side Discharge Window Cooler



# REPLACEMENT PARTS MANUAL

Date Issued  
**1-Nov-16**

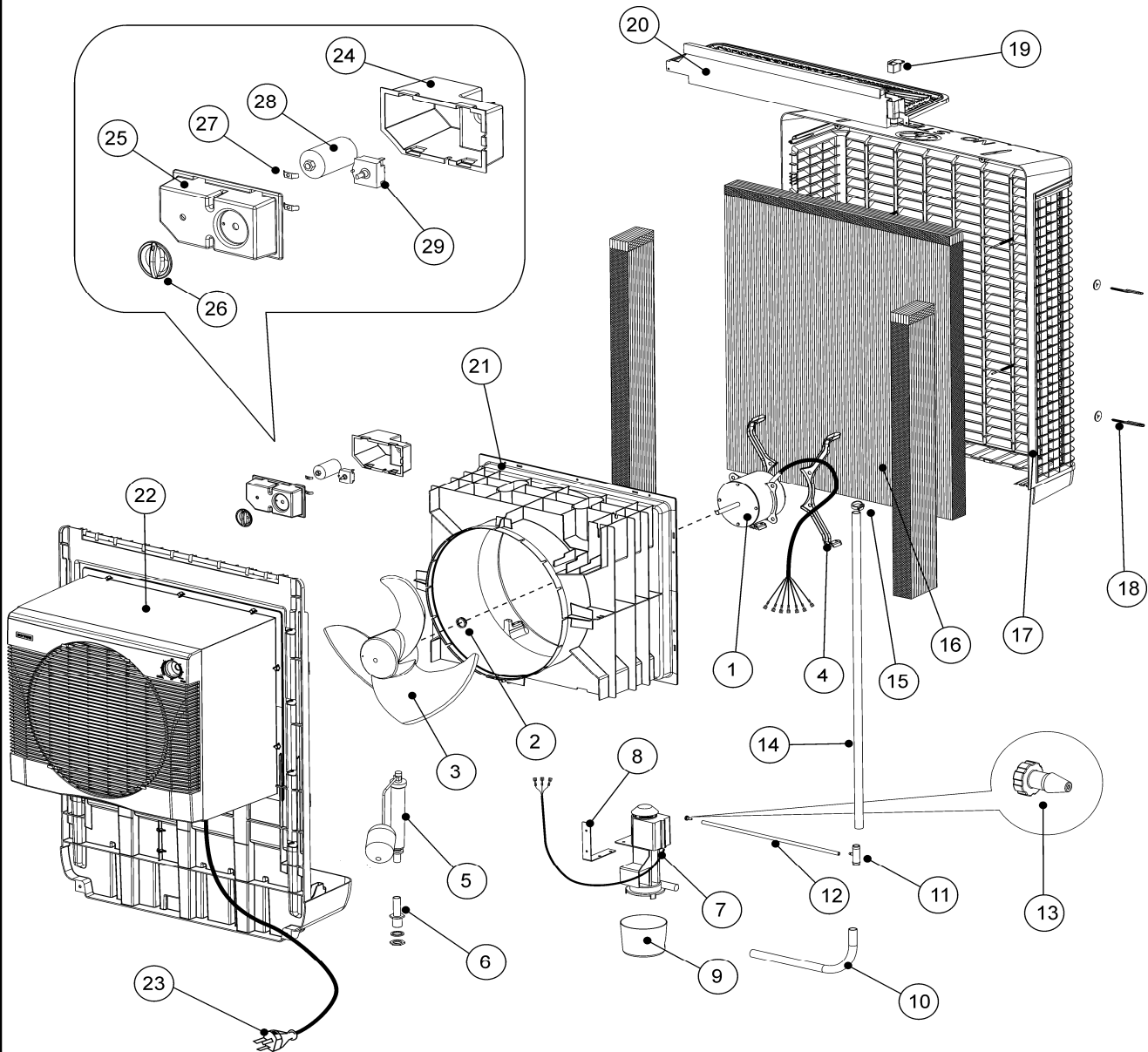
Product Section Details

Section No  
**C3.03**

Issue Status  
**C**

**WINDOW COOLER**  
BONAIRE SIDE DISCHARGE WINDOW  
240 VOLT 50 HZ (AUSTRALIAN)

Page  
**1**





# REPLACEMENT PARTS MANUAL

Date Issued <b>1-Nov-16</b>	Product Section Details <b>WINDOW COOLER</b>	Section No <b>C3.03</b>
Issue Status <b>C</b>	BONAIRE SIDE DISCHARGE WINDOW 240 VOLT 50 HZ (AUSTRALIAN)	Page <b>2</b>

ITEM NUMBER	DESCRIPTION	PART NUMBER	COMMENTS
1	MOTOR FAN 240V DURANGO	6281610SP	
2	FAN RETAINING CLIP	6280804SP	
3	IMPELLOR	6280806SP	
4	BRACKET MOTOR MOUNTING	6282006SP	
5	FLOAT VALVE DOMESTIC DURANGO	6280920SP	
6	OVERFLOW FITTING ASSEMBLY	6050920SP	
7	PUMP 240V DURANGO	6280807SP	
8	BRACKET PUMP	6280120SP	
9	STRAINER	6050811SP	
10	HOSE PUMP SHORT	6280910SP	
11	PUMP T PIECE	6280802SP	
12	HOSE BLEED OFF	6280904SP	
13	BLEED NIPPLE	6280803SP	
14	HOSE PUMP LONG	6280902SP	
15	CLIP - HOSE RC28	0120703SP	
16	FILTERCOOL PAD KIT (BACK & SIDES)	6280116SP	
17	GRILLE REAR	6280131SP	
18	FILTERCOOL RETAINING CLIPS	6280134SP	
19	WATER DIVERTER	6280107SP	
20	WATER DISTRIBUTOR	6280132SP	
21	VENTURI	6280136SP	
22	BODY DUARANGO	6280140SP	
23	SERVICE LEAD AUS(WITH RP TOOL)	6261605SP	
24	LID CONTROL HOUSING-TAHOE	6240112SP	
25	LID CONTROL BOX	6280105SP	
26	CONTROL KNOB DURANGO PG	6280133SP	
27	TERMINAL DOUBLE	0162465SP	
28	CAPACITOR 3UF 400-450V	0160183SP	
29	SWITCH - 8 POS. ROTARY SWANN	6201609SP	
	WINTER COVER ASSY-DURANGO PG	6281906SP	
	COVER WINDOW ASSEMBLY	6281901SP	



*“Excelling today for a better tomorrow”*

**Text and Illustration Copyright Climate Technologies 2005**

All rights reserved. No part of this document may be reproduced or transmitted in any form or by any means, electronic or mechanical, including photocopying, recording or by any information storage and retrieval system, without prior permission in writing from Climate Technologies

In the interest of continued product improvement Climate Technologies reserves the right to alter specifications without notice. E.&O.E.