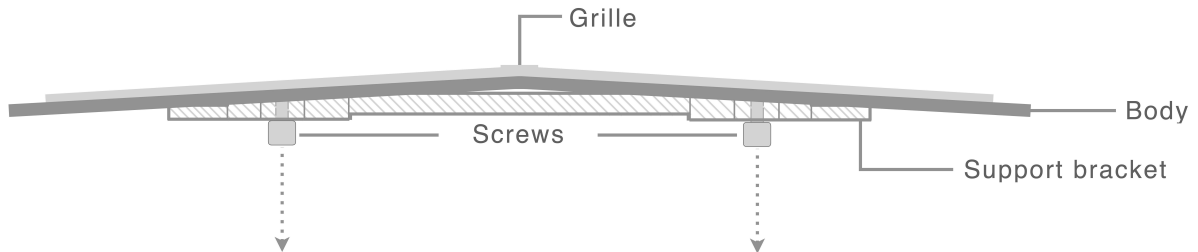


VL240
Mounting
Usage

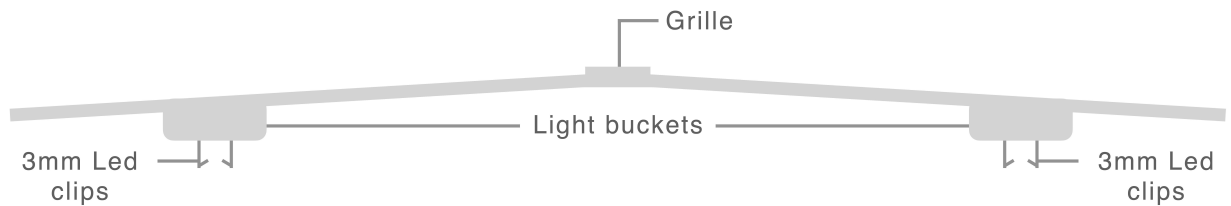
Installation - C10

Headlights

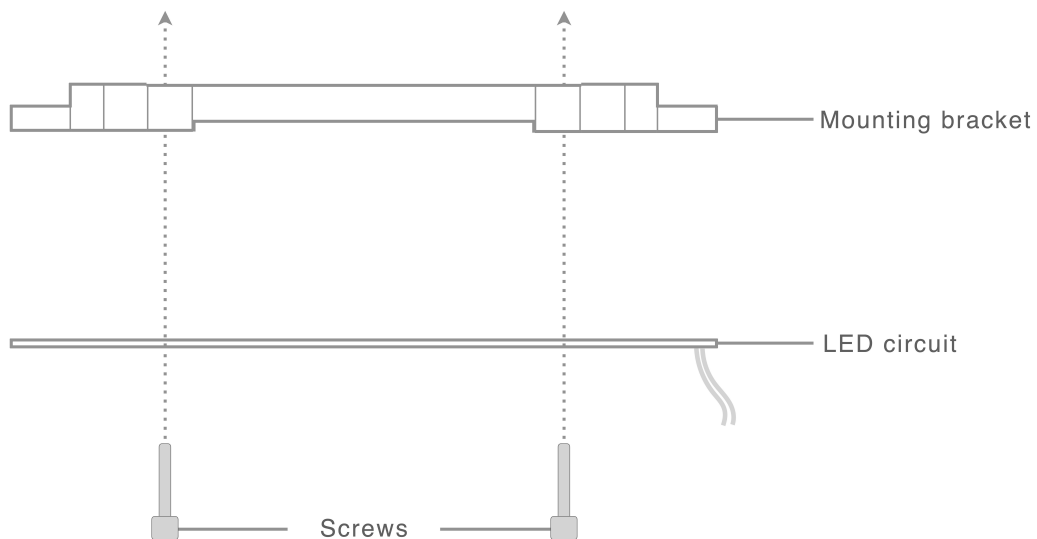
Remove the two screws fastening the factory installed front grill. Gently pull the support bracket for the grill off, it will be replaced by your new light bracket.



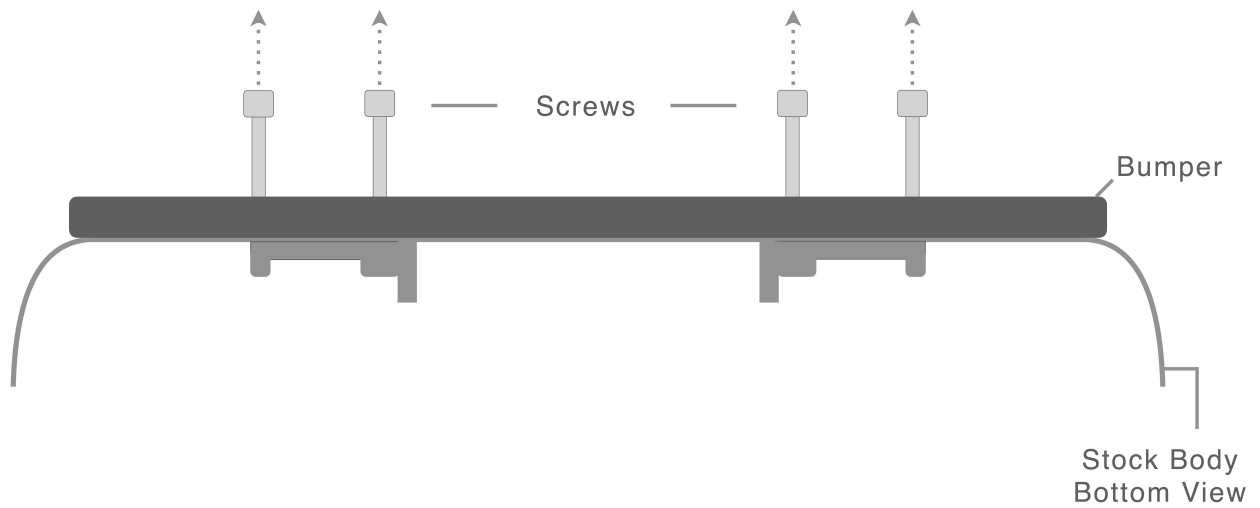
Remove the 3mm led clips with a hobby knife from the back of the factory light buckets allowing flush mounting of your new headlights.



Replace the grill support bracket with your new bracket after clipping the front lights into place. Use the included longer screws to fasten the assembly together while maintaining proper alignment.



Taillights: On the rear of your vehicle, unscrew the four screws holding the hinged body mount to the body, leaving the frame mount intact.



Insert your new rear lights between the body and mount. Align the screw holes and reinstall the factory screws.

***Note**, for optimal performance and viewing, material should be removed to allow the micro LED lights through the body. A small rectangle matching the dimensions of the factory light sticker will suffice.

