



# BLEND

## Description

### CV sections

Blend has two CV sections each with:

- 1) Input (normalised to a +5V signal)
- 2) Attenuverter
- 3) Output

### CV Mixer section

Blend takes the outputs of the two CV sections and offers the following:

- 1) Min output
- 2) Max output
- 3) Comparator output (level brought down to 4.5V)
- 4) Sum output

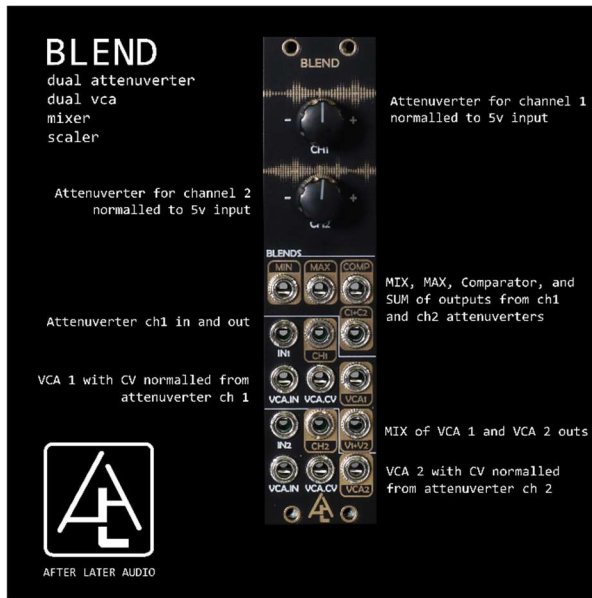
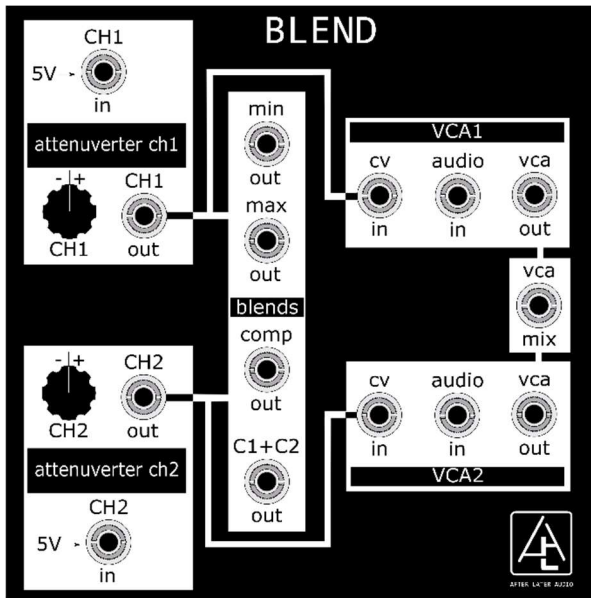
The min and max sections do not attempt to be precision min/max measurements. They will be within two diode drops of the actual min or max voltage.

### VCA Section

There are two VCA sections that also have a mix output. The CV input for each VCA is normalised to the output of a CV section. The VCA circuits are LM13700 based so they will slightly color the sound. The response curve is nearly linear but offers a slight exponential curve.



## Walkthrough



## Technical Details

- Power consumption:
  - 12V - 40mA
  - -12V - 40mA
- Size: 6hp