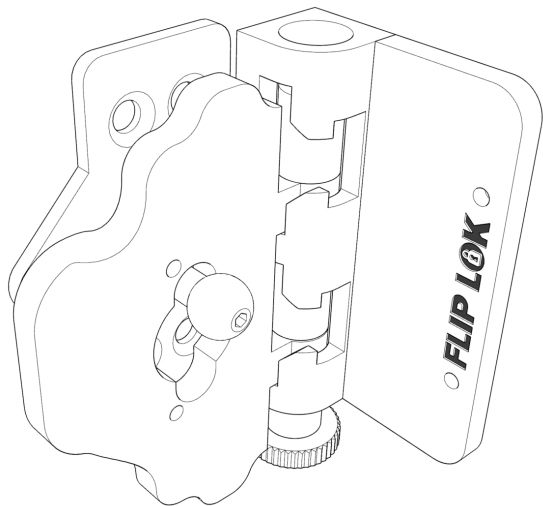
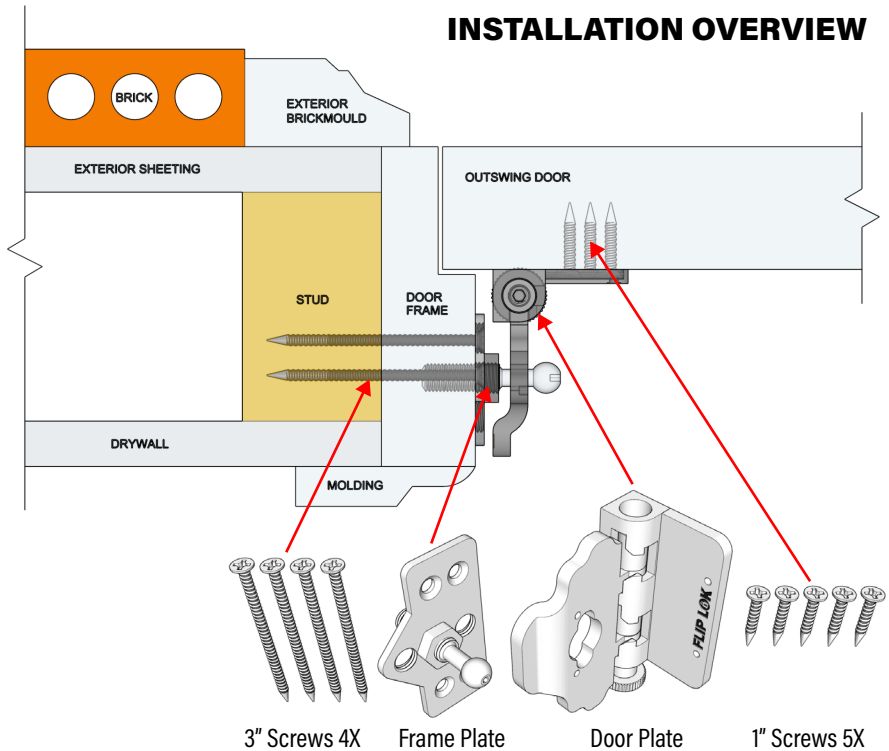


FLIP LOK

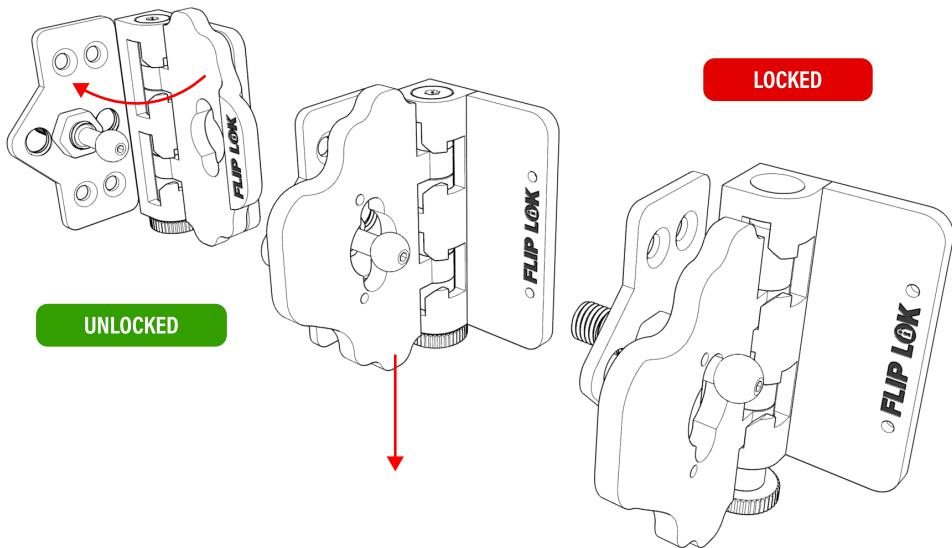
INSTRUCTIONS



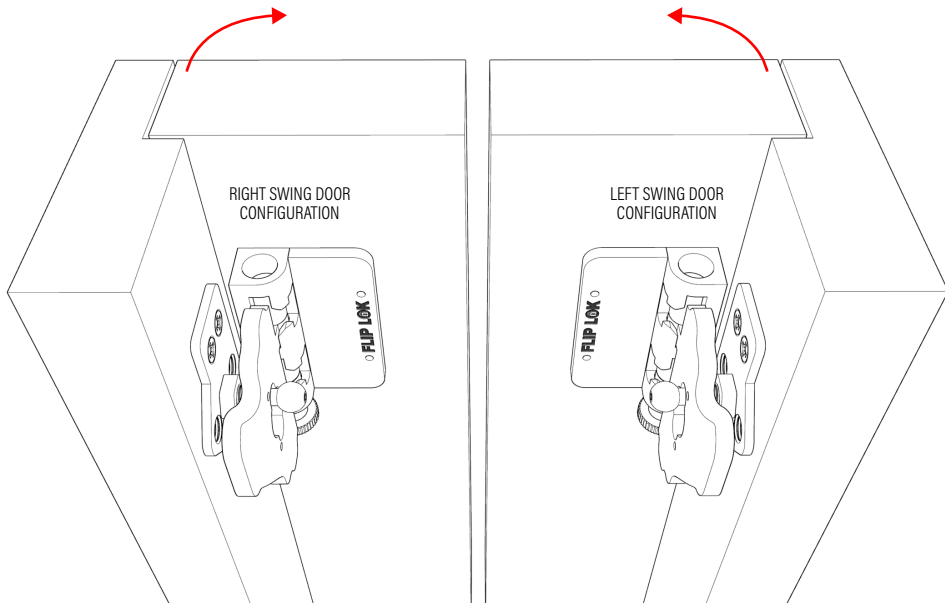
INSTALLATION OVERVIEW



OPERATION OVERVIEW



**DETERMINE DOOR SWING DIRECTION
AND INSTALL THE DEVICE ON THE
RESPECTIVE DOOR FRAME**

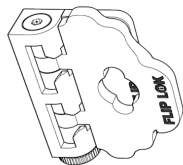


TO SWITCH BETWEEN LEFT AND RIGHT SWINGING CONFIGURATION

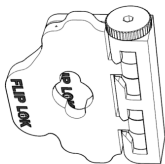


WARNING

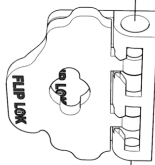
MUST APPLY INCLUDED
BLUE THREAD LOCKER
TO THE THREADS



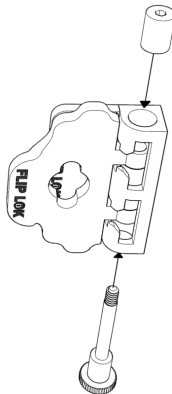
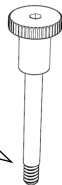
RIGHT SWING DOOR
CONFIGURATION



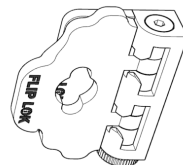
FLIP AROUND



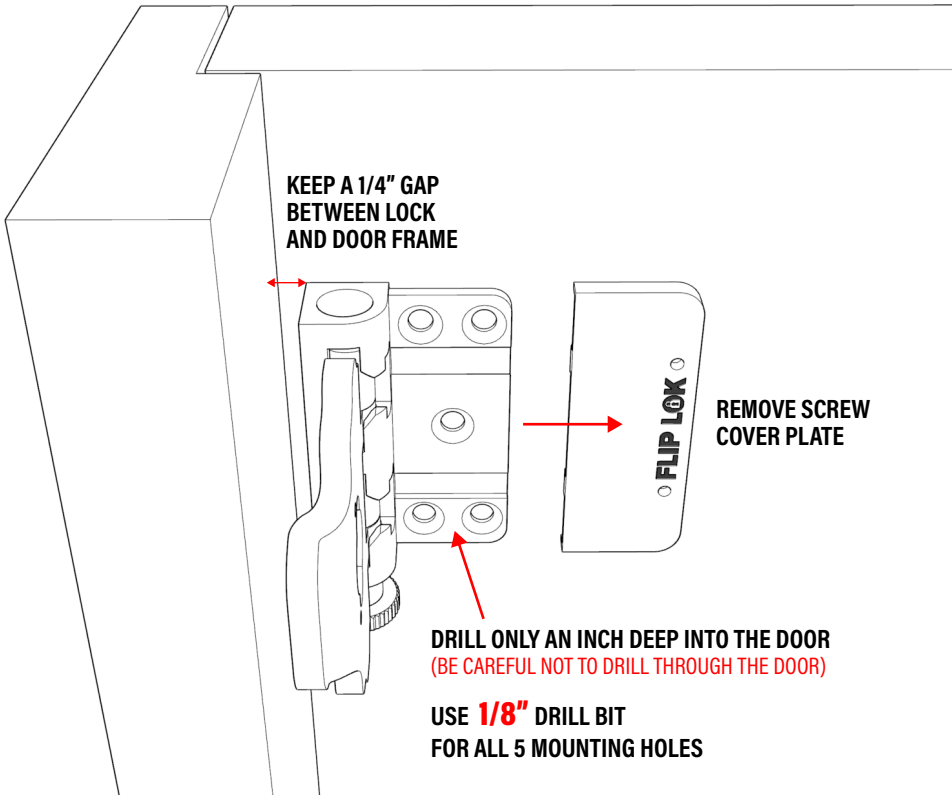
UNSCREW
WITH INCLUDED
ALLEN KEY



SWITCH SIDE



LEFT SWING DOOR
CONFIGURATION



**KEEP A 1/4" GAP
BETWEEN LOCK
AND DOOR FRAME**

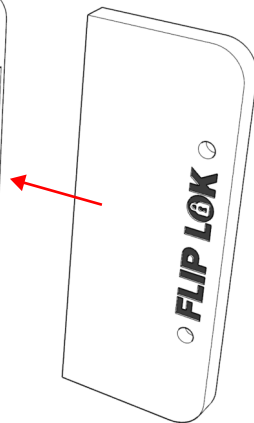
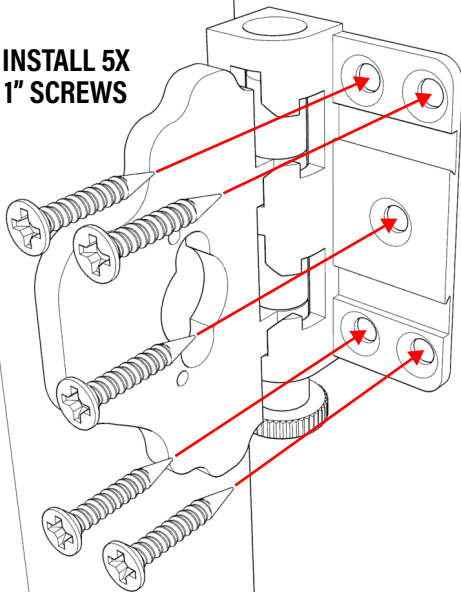
**REMOVE SCREW
COVER PLATE**

FLIP LOK

**DRILL ONLY AN INCH DEEP INTO THE DOOR
(BE CAREFUL NOT TO DRILL THROUGH THE DOOR)**

**USE 1/8" DRILL BIT
FOR ALL 5 MOUNTING HOLES**

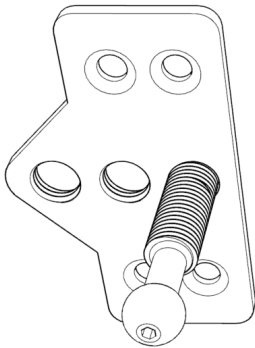
**INSTALL 5X
1" SCREWS**



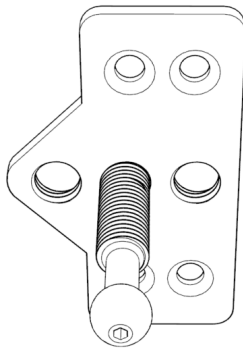
**REINSTALL SCREW
COVER PLATE**

FRAME PLATE CONFIGURATIONS

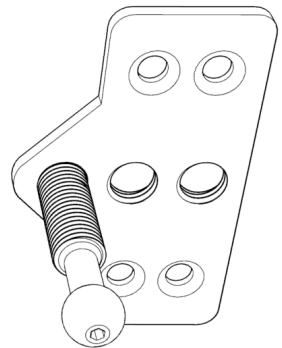
**THERE ARE 3 AVAILABLE SLOTS TO INSTALL THE SPHERE BOLT
DEPENDING ON STYLE AND THICKNESS OF YOUR DOOR FRAME
USE THE BEST FITTING SLOT FOR YOUR DOOR/FRAME SETUP**



RIGHT SLOT



MIDDLE SLOT



LEFT SLOT

1

**POSITION FRAME
PLATE ONTO THE
DOOR FRAME**



2

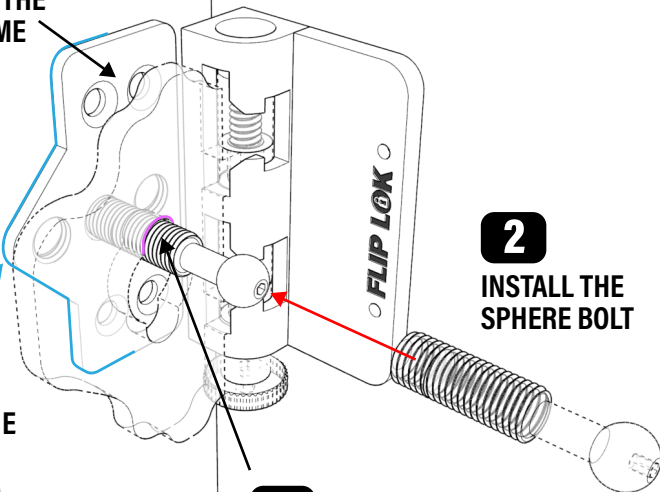
**INSTALL THE
SPHERE BOLT**

3

**MAKE SURE THE
SPHERE BOLT SITS INSIDE
THE LOCKING SLOT**

4

**MARK THE OUTLINE
OF THE PLATE**



1

**POSITION FRAME
PLATE TO THE
MARKED OUTLINE**

USE **1/8"** BIT
DRILL **3"** DEPTH

2

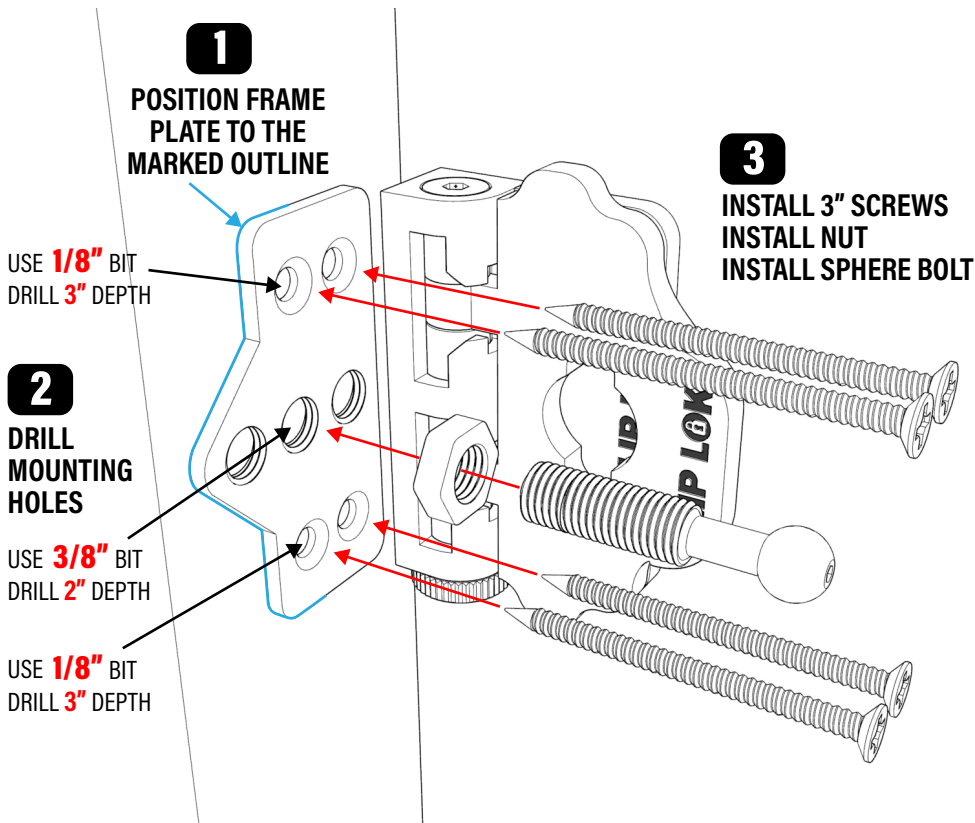
**DRILL
MOUNTING
HOLES**

USE **3/8"** BIT
DRILL **2"** DEPTH

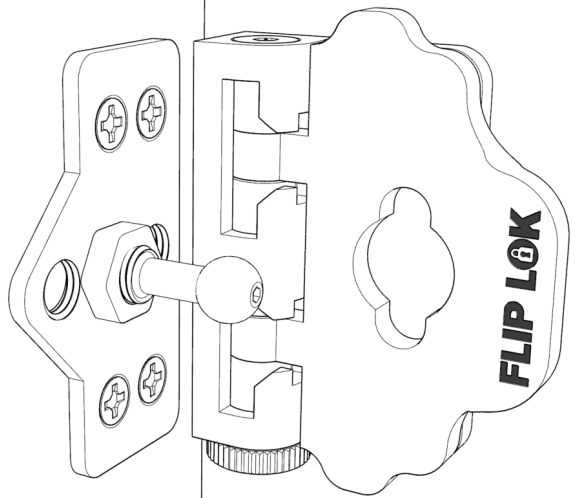
USE **1/8"** BIT
DRILL **3"** DEPTH

3

**INSTALL 3" SCREWS
INSTALL NUT
INSTALL SPHERE BOLT**

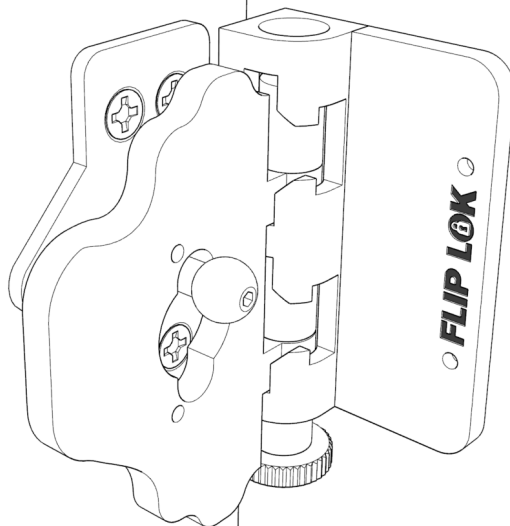


INSTALLATION COMPLETE



LOCKED

**NOW YOU HAVE PEACE OF MIND THAT
YOUR LOVED ONES ARE SAFE**





www.FlipLok.com/pages/installation

For more info and videos on installation