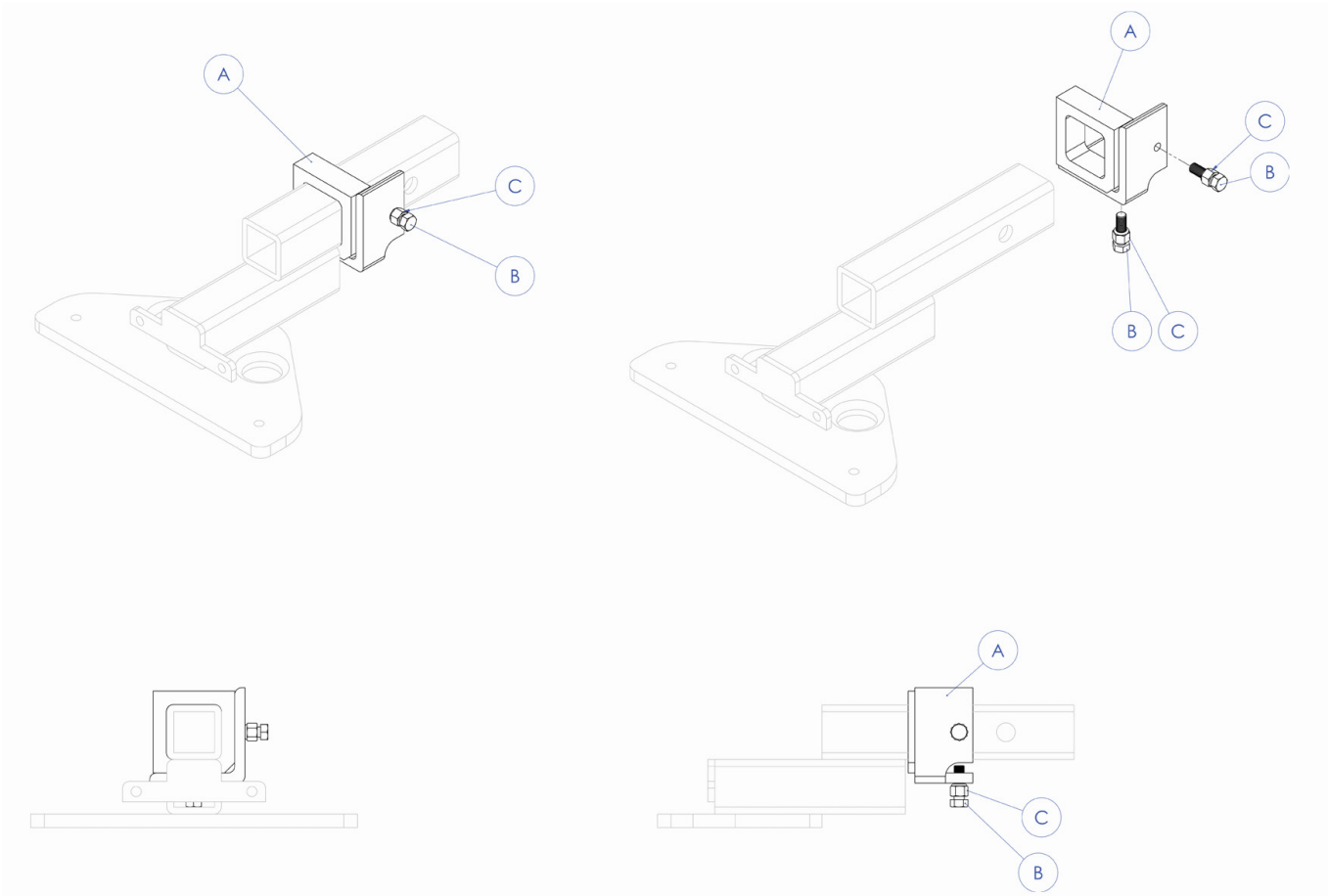


STABILIZER

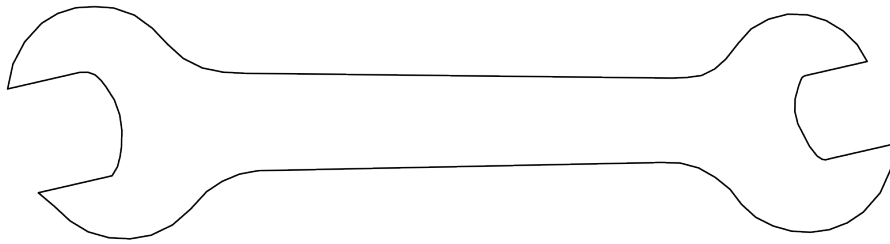
Assembly Instructions



PARTS	DESCRIPTION	QTY
A	STABLIZER	1
B	3/8"-24 X1-1/4" BOLT	2
C	3/8"-24 NYLOCK NUT	2

All Hitch N' Sit seats have locks on them with key provided, to prevent unauthorized use while vehicle is in motion. The Stabilizer accessory is recommended with Hitch N' Sit 3-Seaters and 4-Seaters to prevent movement and minimize any wobble while attached to vehicle.

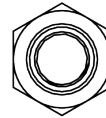
All Hitch N' Sit seating systems are provided with a keyed hitch pin to securely lock into the hitch receiver. Our Hitch Adapter is made exclusively to work with our seats and fits in any 2" hitch receiver. The Beam of the Hitch N' Sit has a designated spot in the center to move your license plate to, ensuring it is in view while on the road. This applies to all Hitch N' Sit seating systems except for the 2-Seater with Table, which does not cover your license plate.



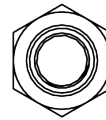
9/16" - 1/2" COMBO WRENCH



(2X) 3/8"-24 X1.25"
HEX BOLT



(2X) 3/8"-24
NYLOCK NUT

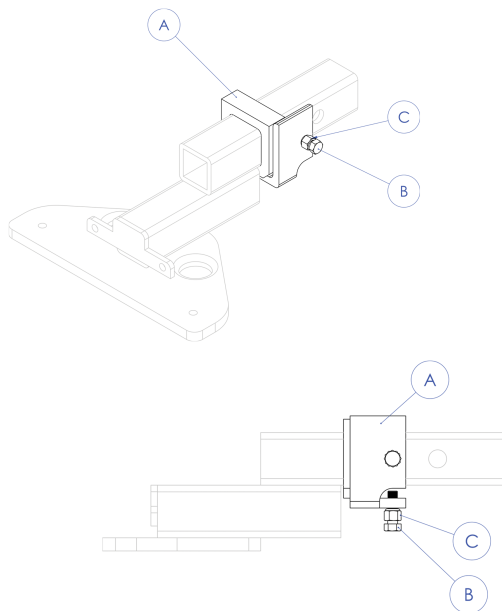
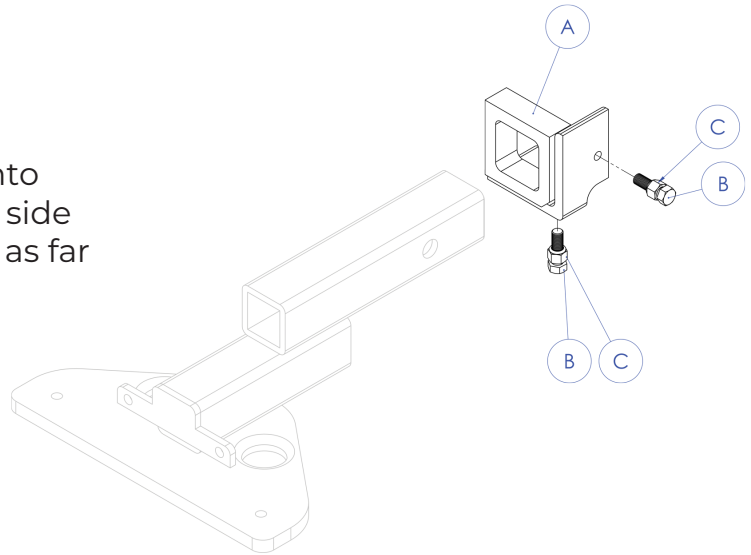


How To Attach Stabilizer To Hitch Adapter

(ONLY APPLICABLE IF YOU PURCHASED STABILIZER AS AN ACCESSORY ITEM,
HITCH ADAPTER SOLD SEPERATELY)

1. Take Stabilizer (**Part A**) and slide it onto the end of the Hitch Adapter, notched side down. Make sure to slide the stabilizer as far back as possible

2. Thread the two 3/8"-24 Nylock Nuts (**Part C**) onto the two seperate 3/8"-16 X 2-1/2" bolts (**Part B**)



3. Thread the two 3/8"-16 X 2-1/2" bolts (**Part B**) into the designated threaded holes on either side of the stabilizer, loosely

4. Insert your Hitch Adapter into the hitch receiver of your vehicle and tighten the bolts until it is secure on your vehicle. The stabilizer prevents all upward and downward movement of both ends of the seat configuration