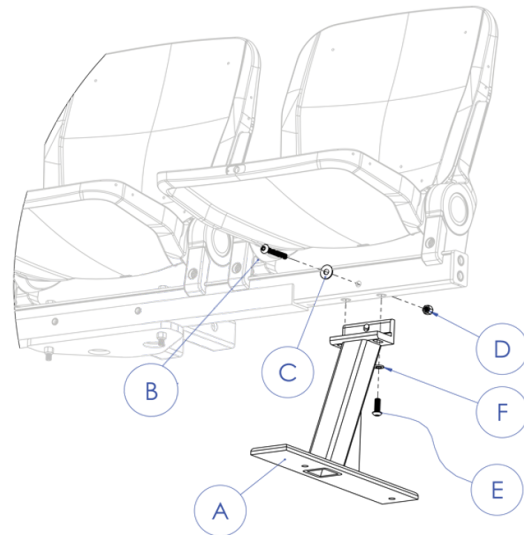
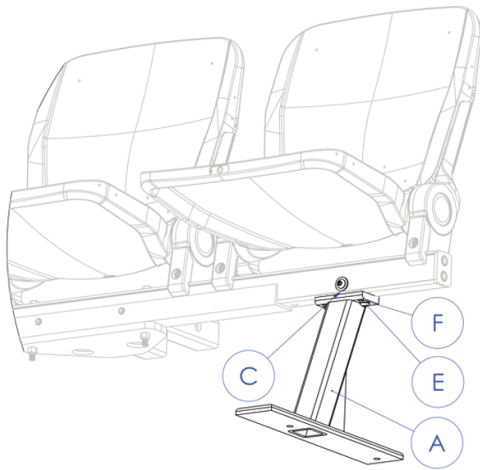
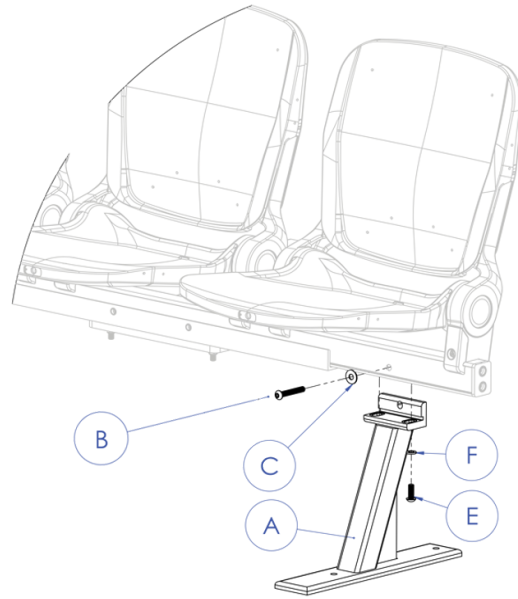
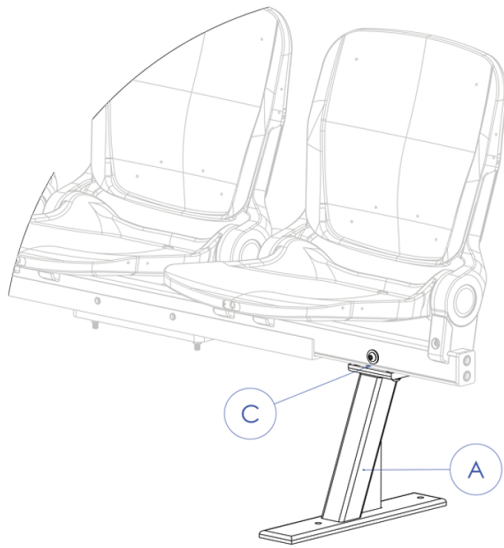


Portable Legs

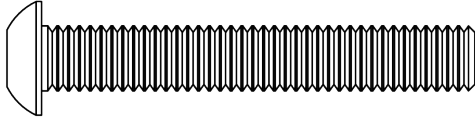
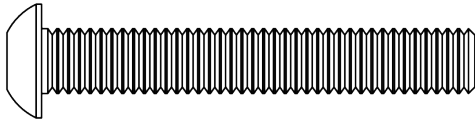
Assembly Instructions



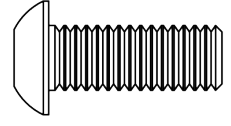
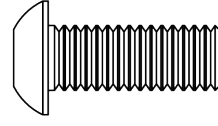
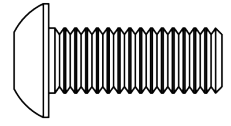
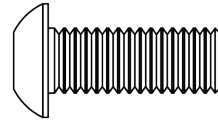
PARTS	DESCRIPTION	QTY.
A	LEG	1
B	3/8"-16 X 2-1/2" BOLT	1
C	3/8" WASHER	1
D	3/8" NYLOCK NUT	1
E	3/8" BOLT	2
F	3/8" LOCK WASHER	2

All Hitch N' Sit seats have locks on them with key provided, to prevent unauthorized use while vehicle is in motion. The Stabilizer accessory is recommended with Hitch N' Sit 3-Seaters and 4-Seaters to prevent movement and minimize any wobble while attached to vehicle.

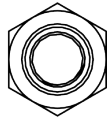
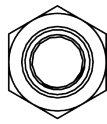
All Hitch N' Sit seating systems are provided with a keyed hitch pin to securely lock into the hitch receiver. Our Hitch Adapter is made exclusively to work with our seats and fits in any 2" hitch receiver. The Beam of the Hitch N' Sit has a designated spot in the center to move your license plate to, ensuring it is in view while on the road. This applies to all Hitch N' Sit seating systems except for the 2-Seater with Table, which does not cover your license plate.



3/8"-16 X 2.5" BUTTON HEAD



3/8" -16 X 1" BUTTON HEAD



(2X) 3/8"-16
NYLOCK NUT



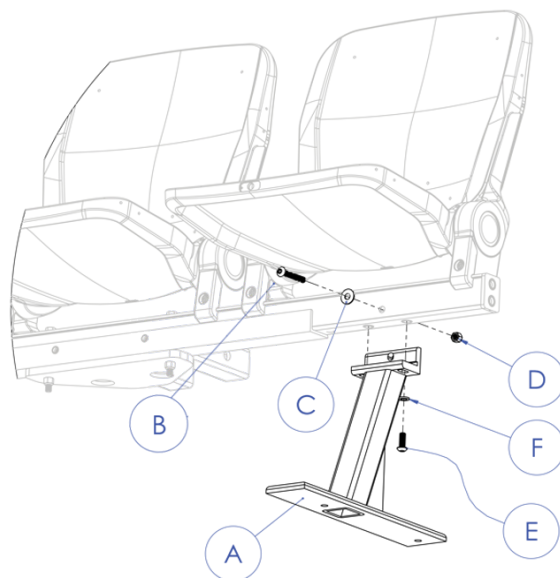
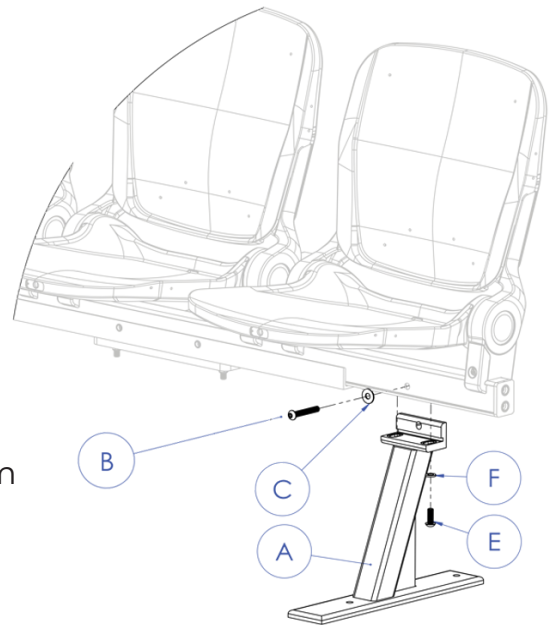
7/32" ALLAN KEY

How To Attach Portable Legs To Beam

(ONLY APPLICABLE IF YOU PURCHASED PORTABLE LEGS AS AN ACCESSORY ITEM)

1. Line legs (Part A) up to the outer hole on each end of the beam and sit beam on top of them

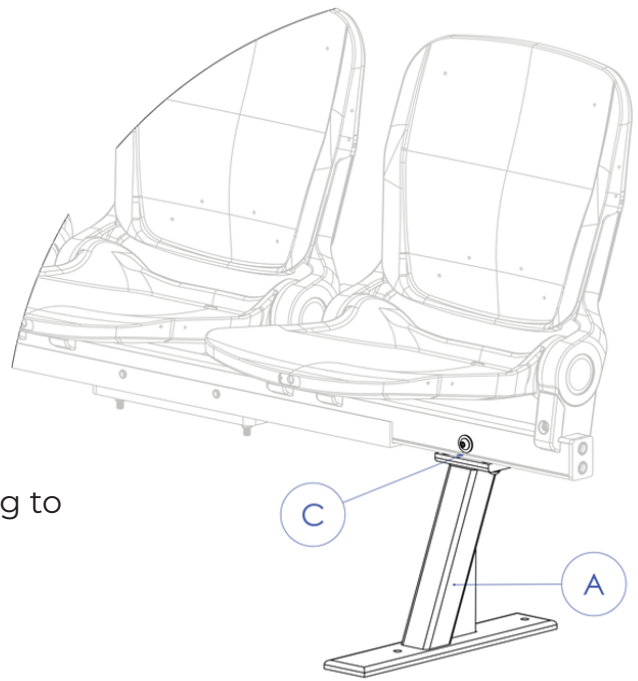
2. Screw 1" bolt (Part E) and the LockWasher (Part F) through leg to the bottom of the beam and leave loose



3. Take 3/8"-16 X 2-1/2" bolt (Part B) and insert through the front to the back of the outer hole on the beam with the washer (Part C) in the front

4. Take the 3/8" nylock nut (Part D) and loosely thread on the installed 3/8"-16 X 2-1/2" bolt (Part B)

5. Tighten all bolts mentioned in the previous steps securely



6. Repeat the process for the second leg to complete the leg installation