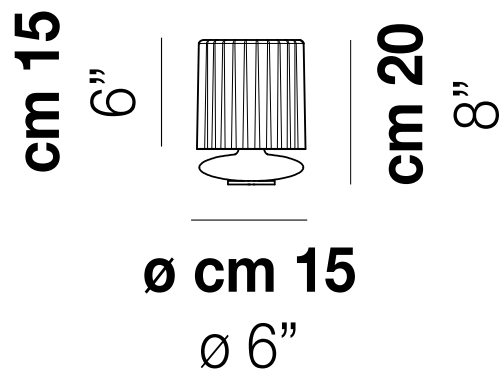


## TREAD LT



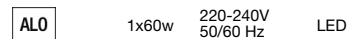
### TECHNICAL DATA:



### CERTIFICATIONS:



### LIGHT SOURCES



VOLUME	Mc 0
GROSS WEIGHT	Kg 3
NET WEIGHT	Kg 2

download



### SHADE FINISHING



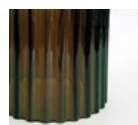
CRTR



FUTR

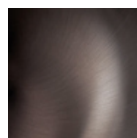


TBTR

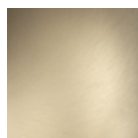


VATR

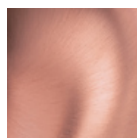
### FRAME FINISHING



BHS



BKS



RAS