

SOLO
FM9405
FLUSH MOUNT

PROJECT



DESCRIPTION

LED flush mount made from heavy-gauge cast-aluminum painted, square shaped with rounded corners or round cylinder. Adjustable from a 90-degree mounting position with a 360-degree radius. Perfect for commercial use to control the exact point to direct the light to, whether it's against a wall, product display or many other applications. May be wall or ceiling mounted. Default beam angle 47 degrees (FWHM)



FM9405-WH
White

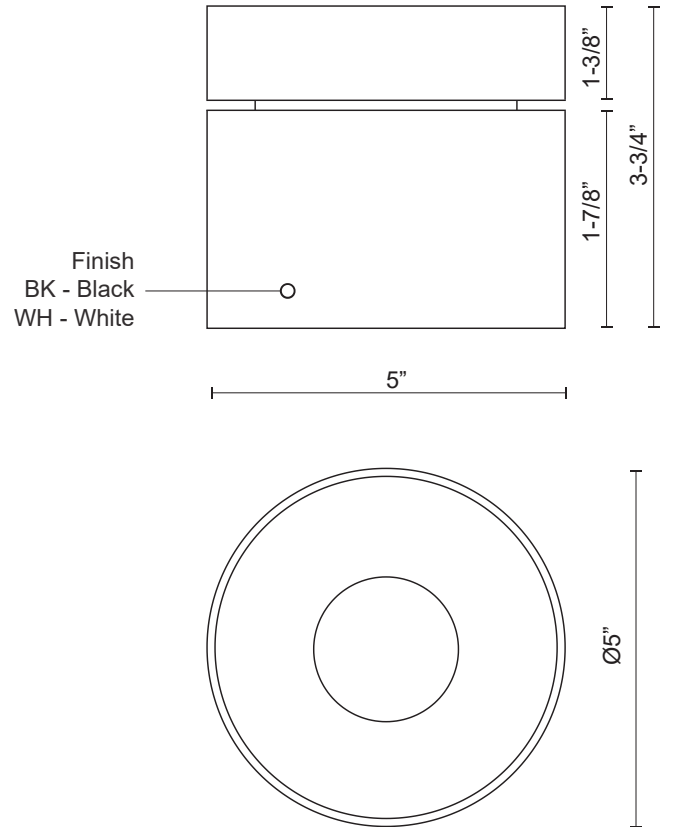


FM9405-BK
Black

SPECIFICATION DETAILS

* For custom options, consult factory for details.

Fixture Dimensions	D5" x H3-3/4"
Light Source	LED
Wattage	19W
Total Lumens	1500lm
Delivered Lumens	1355lm
Voltage	120V
Color Temperature	3000K
CRI (Ra)	>90
Optional Color Temps	2700K - 5000K Available, Minimum Order Quantities Apply
LED Rated Life	50,000 hours
Dimming	100% - 10%, ELV Dimmer (Not Included)
Diffuser Details	Softening Acrylic Diffuser
Location	Dry
Warranty	5 Years
Canopy Dimensions	D5" x H1-3/8"



COMMENT

KUZCO

19054 28TH AVENUE
SURREY - BC V3Z 6M3
CANADA

WWW.KUZCOLIGHTING.COM

