

PRODUCT FEATURES

- Elegant contemporary style using on-trend combinations of metal and glass
- Small scale perfect for accent lighting applications
- Adaptable to modern wall lighting and warm contemporary wall lighting applications
- High quality, dimmable integrated LED lamping with glare-free light diffusion
- Coordinating Akova pendant lights and Akova ceiling lights also available from Tech Lighting
- Protected by a 5-year warranty, please visit www.techlighting.com for details

LAMPING

Includes 14 watt, 555 delivered lumen, 2700K or 3000K LED module. Dimmable with low-voltage electronic or triac dimmer.



Matte Black /
Aged Brass



Aged Brass /
Bright Brass



Matte Black /
Aged Brass

ORDERING INFORMATION

700WSAKV COLOR

RR AGED BRASS/BRIGHT BRASS
BR MATTE BLACK/AGED BRASS

LAMP

-LED927 LED 90 CRI 2700K 120V

700WSAKV _____

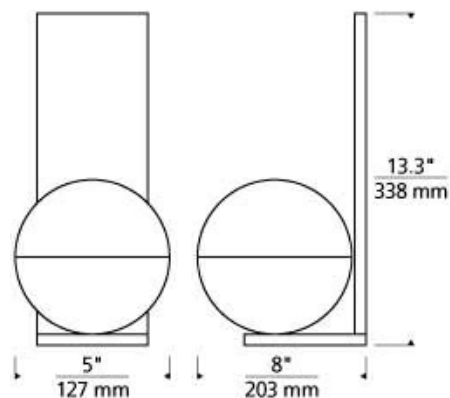
JOB NAME _____

NOTES _____



SPECIFICATIONS

HARDWARE MATERIAL	Metal
SHADE MATERIAL	Acrylic
NET WEIGHT	6 lbs
HEIGHT	13.3in
WIDTH	8in
LENGTH	5in
MIN. EXTENSION FROM WALL	8in
UP LIGHT / DOWN LIGHT / BOTH?	
WET LISTED	
DAMP LISTED	
DRY LISTED	
UP / DOWN	
HORIZONTAL / VERTICAL	
WALL / CEILING MOUNT	
GENERAL LISTING	
ADA COMPLIANT	
INCLUDES	



LAMPING SPECIFICATIONS

	LED LAMP	INTEGRATED LED	NON LED	NO LAMP
DELIVERED LUMENS		555		
WATTS		14		
MAX WATTAGE PER BULB		14W		
INPUT VOLTAGE		120V		
DIMMING TYPE*		ELV, TRIAC		
CCT		2700K		
CRI		90 CRI		
LED LIFETIME				
L70				
AVERAGE BULB HOURS				
FIELD SERVICEABLE LED				
LAMP BASE		Integrated LED		
LAMP SHAPE		Integrated LED		
LAMP INCLUDED?		Y		
WARRANTY**		5 Years		

*Dimming information available at www.techlighting.com/Downloads#dimming
 ** Visit techlighting.com for specific warranty limitations and details.

T20 / T24 INFORMATION

	Integrated LED	Replacement LED Lamp	No Lamp *
This product can be used to comply with California Building Energy Efficiency Standards 2016 Title 24 Part 6.	No		
This product can be used to comply with California Appliance Efficiency Standards 2016 Title 20 and may be shipped to and sold in California.	N/A		

* If a light fixture or component does not include a lamp or light source, it is the responsibility of the customer to select a lamp that meets the T24 and T20 requirements.

