
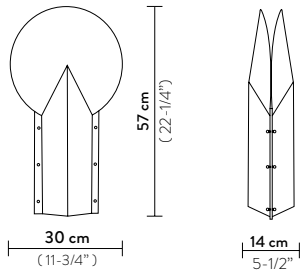
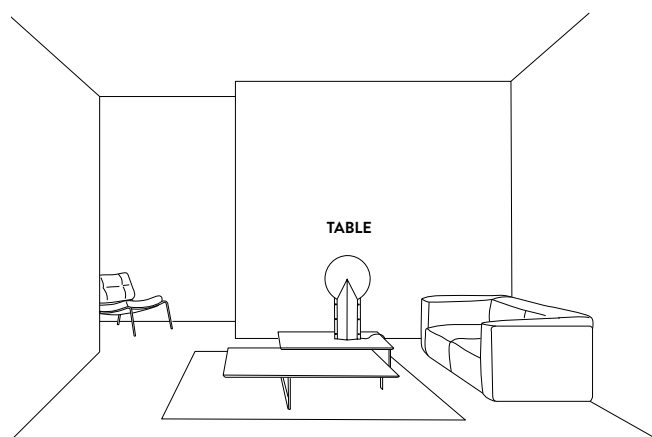




PRODUCT / PRODOTTO	DIMENSIONS / MISURE	COLOUR / COLORE	CODE / CODICE
TABLE Bulbs E27:  1X 12W LED Filament Made of: Opalflex® With: Aluminium profiles with a brushed brass finish - Silk screen printing Marble Texture Weight: net Kg 1 - gross Kg 1,5 Package: 29 x 30 x h. 60 cm		<input checked="" type="checkbox"/> BLACK	MOO89TAV0000N_000
		<input checked="" type="checkbox"/> WHITE	MOO89TAV0000W_000
		<input checked="" type="checkbox"/> PINK	MOO89TAV0000PK000

MOON ENTIRE COLLECTION



CERTIFICATION

CE IP 20  

ENERGY CLASS: A / A+ / A++

ENERGY LABEL AVAILABLE ON SLAMP'S WEBSITE

FINISHES



BLACK



WHITE



PINK