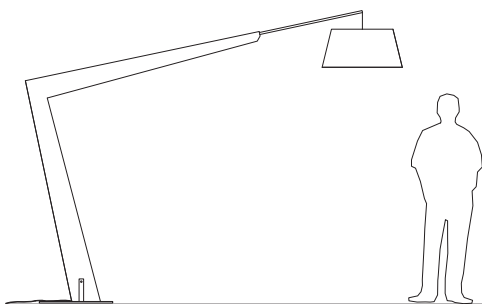


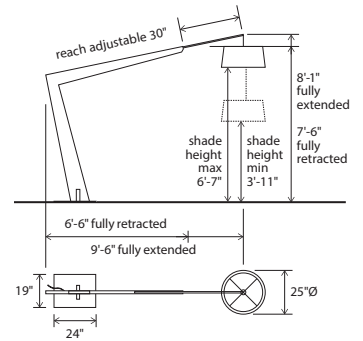


When reaching such a distance with a fixture, it is important that it feels visually efficient in its form but is still far from fragile, inviting one to linger under it. The adjustability in the reach and the height of the shade make it possible to custom fit the piece to its surroundings - an important characteristic for such a large piece.

Nick Sheridan
Designer



Valeo floor



Dimensions: 8'1" H max, 25" Ø shade
Materials: solid wood, metal, linen shade
Product weight: 95 lb
Light source: medium base E26 socket
Lamping: E26 base, type A lamp, 60 W max
Input voltage: 120 V AC max
Includes 72" clear silver cord with inline foot switch 24" from base
Bottom diffuser included (CM-051)
Wood grain will vary
Specifications subject to change



Included dimmable LED A19 bulb
Light output: 800 Lumens (source)
Light color: 2700 K
Color accuracy: 90+ CRI
Power usage: 11 W

MATERIAL & FINISH OPTIONS

Valeo part # 05-400- A L

Boom Arm
brushed aluminum (CM-006)

Wood Body
walnut (CM-001)
dark stained walnut (CM-002)
white washed oak (CM-095)

Fabric Shade
white linen (CM-016)

Includes
black powder coated steel base (CM-049)
frosted polymer diffuser (CM-051)

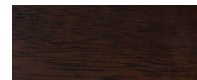
Alternate voltage/plug styles are available

ARM LENGTH
Arm length (from back of base to center of shade) can be adjusted between 9'-6" maximum and 6'-6" minimum.

SHADE HEIGHT
Shade height (floor to bottom edge of shade) can be adjusted between 6'-7" maximum and 3'-11" minimum.



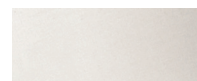
walnut
(CM-001)



dark stained walnut
(CM-002)



white washed oak
(CM-095)



white linen
(CM-016)