

Glo

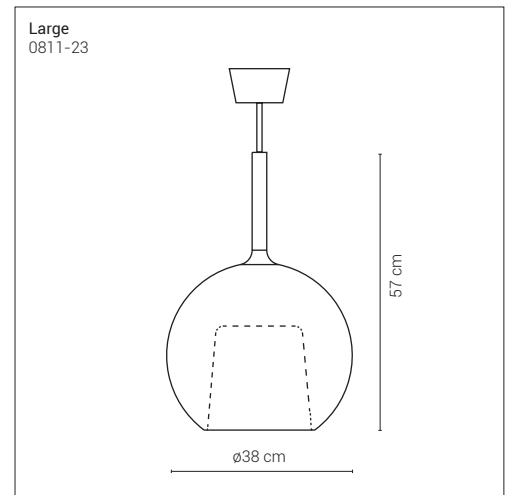
Carlo Colombo
2009

0811-23

Lamps with chromed metal structure and borosilicate glass. Outer shade transparent, gold, silver, rose gold, black, 4ever, blue, green, violet. Inner shade sandblasted. Canopy in titanium and white.



Mounting	Suspension
Environment	Indoor
Materials	Metal and borosilicate glass
Voltaggio	230V 50/60Hz
Sorgente	1x 10W LED - E27
Lumen	NA
Dimming	NA



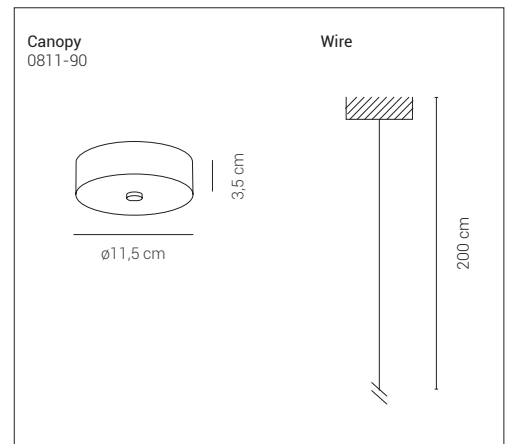
Glass finishes



Metal finishes

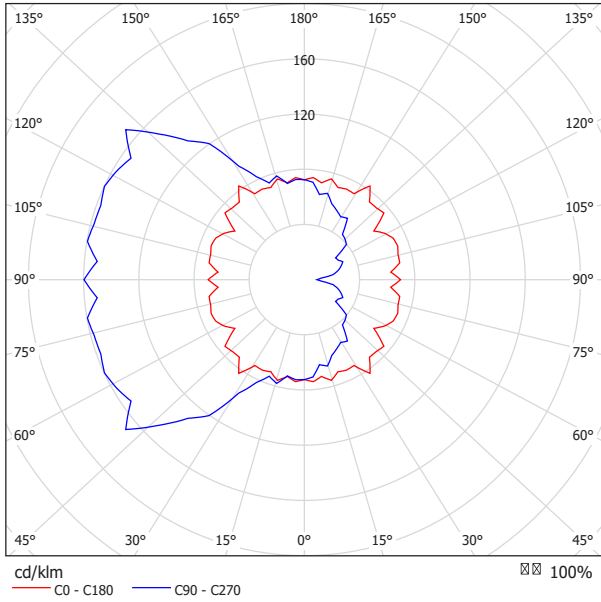


Canopy finishes

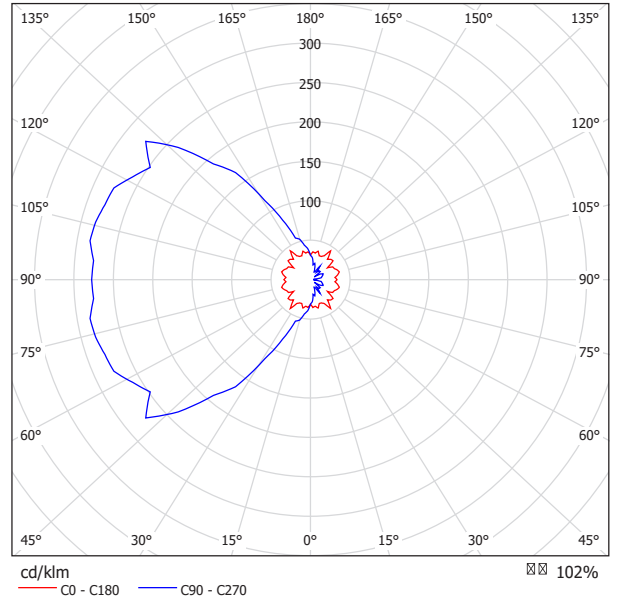


Certification





Glo large transparent



Glo large silver

Glo

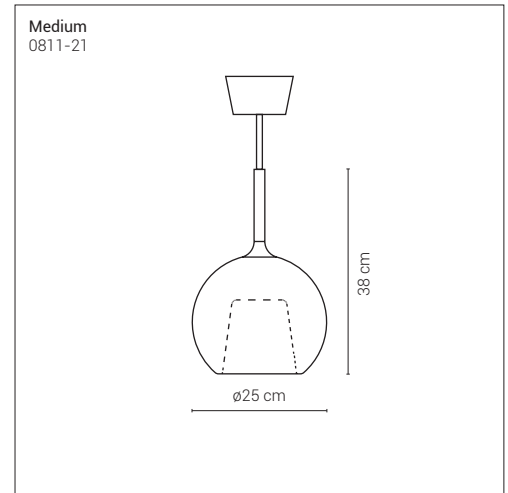
Carlo Colombo
2009

0811-21

Lamps with chromed metal structure and borosilicate glass. Outer shade transparent, gold, silver, rose gold, black, 4ever, blue, green, violet. Inner shade sandblasted. Canopy in titanium and white.



Mounting	Suspension
Environment	Indoor
Materials	Metal and borosilicate glass
Voltaggio	230V 50/60Hz
Sorgente	1x 5W LED - E14
Lumen	NA
Dimming	NA

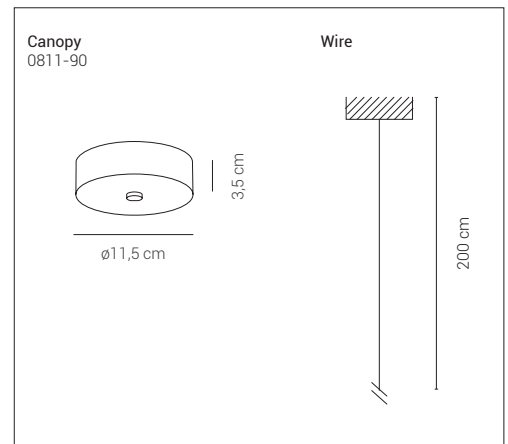


Glass finishes

- Gold
- Blue
- 4ever
- Black
- Silver
- Violet
- Rose gold
- Green
- Transparent

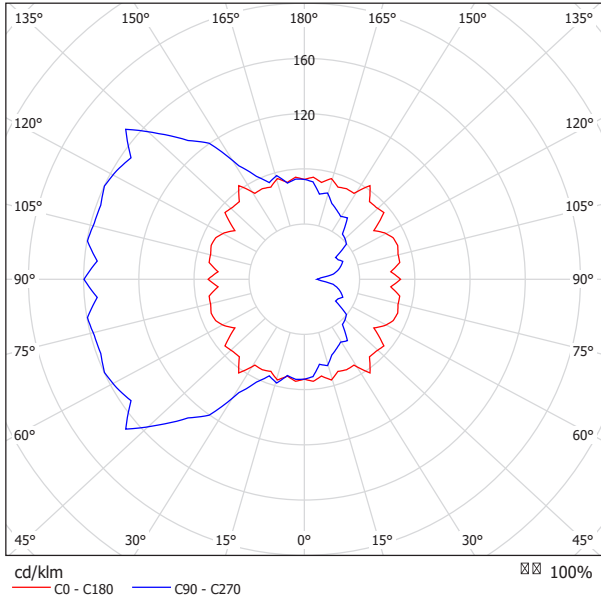
Metal finishes

- Chrome
- Canopy finishes**
- Titanium
- White

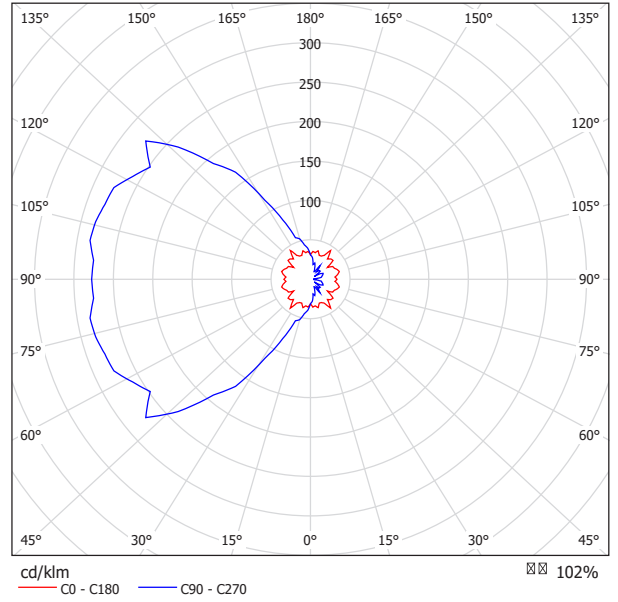


Certification





Glo medium transparent



Glo medium silver

Glo

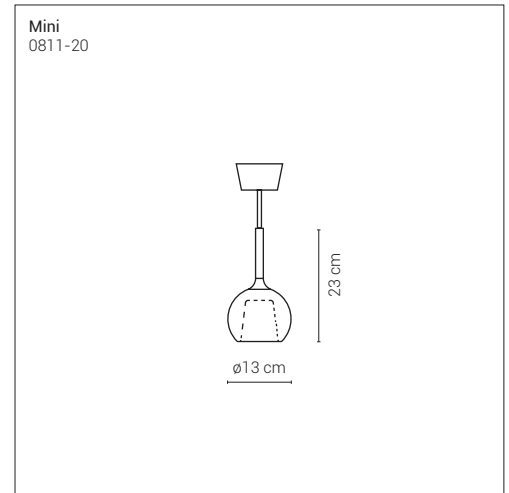
Carlo Colombo
2009

0811-20

Lamps with chromed metal structure and borosilicate glass. Outer shade transparent, gold, silver, rose gold, black, 4ever, blue, green, violet. Inner shade sandblasted. Canopy in titanium and white.



Mounting	Suspension
Environment	Indoor
Materials	Metal and borosilicate glass
Voltage	230V 50/60Hz
Source	1x 4W LED - G9
Lumen	NA
Dimming	NA



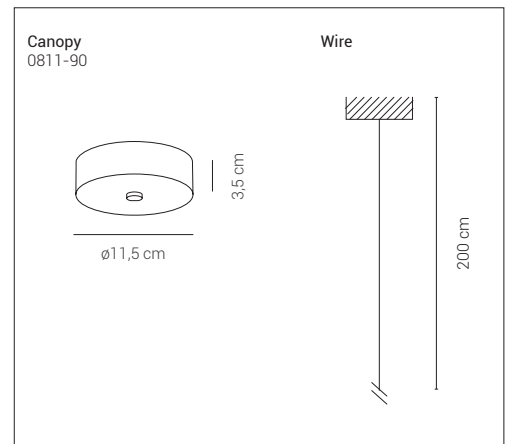
Glass finishes



Metal finishes

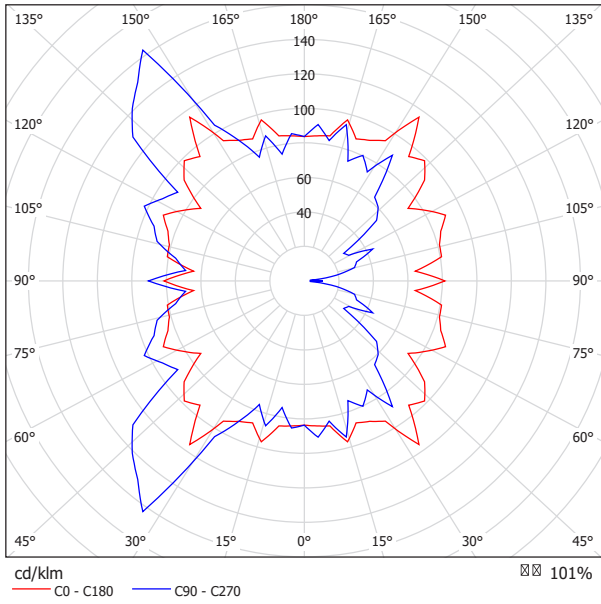


Canopy finishes

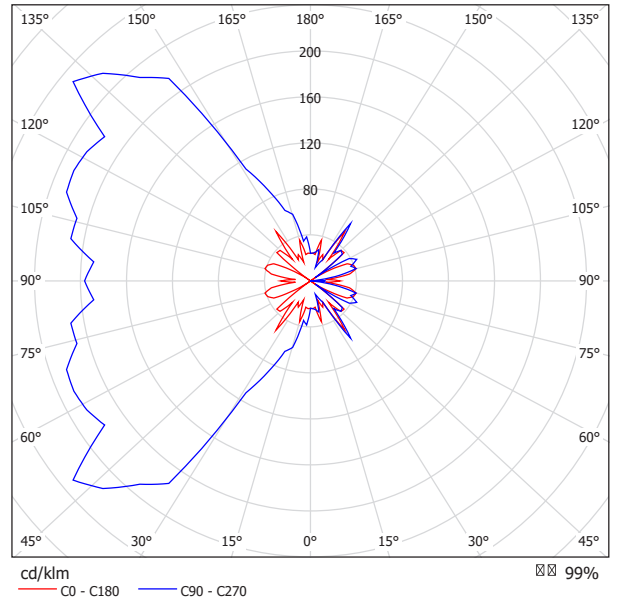


Certification





Glo mini transparent



Glo mini silver