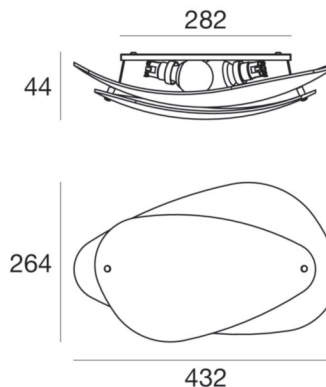
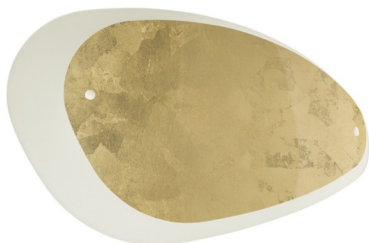


Moledro_W



Wall Lights | 220-240 V | 2xE27
90316



Technical data	
Type	Surface
Installation position	Wall lights
Installation environment	Indoor
Lamp cap	2 x E27 Max 46W
Frequency	50-60 Hz
Optics	General Lighting
Light emission direction	downward and upward
Safety class	1
IP	IP20
Glow wire test	850°
Direct mounting on normally flammable surfaces	Yes
CE	Yes
Dimmable article	No
Directional	No
Tilting	No
Walk-over	No
Drive-over	No
Cable included	No
Resin potting	No

Finishing diffuser	
Material	Glass - Glass
Colour	gold - white
Processing	Sandblasting

Finishing mounting frame	
Material	Iron
Colour	embossed white RAL 9003
Processing	Coating



Wall Lights | 220-240 V | 2xE27
90316

Double emission wall lights for indoor application. Compatibility: LED lamp, halogen 46 W, compact fluo 20 W; lamp cap 2xE27.

The diffuser is made of glass with a sandblasting treatment the diffuser is made of glass; the mounting frame is made of iron, with a embossed white ral 9003 finish, processed by means of coating. The ingress protection degree is IP20;

The device features protection class I and can be wall lights-mounted.

Compliant with the EN 60598-1 standard and its specific provisions.

Illuminotechnical Features	
Source lumens	1400 lm
Colour temperature	2800 K
Colour rendering index	100 Ra
Junction temperature (lighting fixture)	80
Standard Operating Ambient Temperature	25