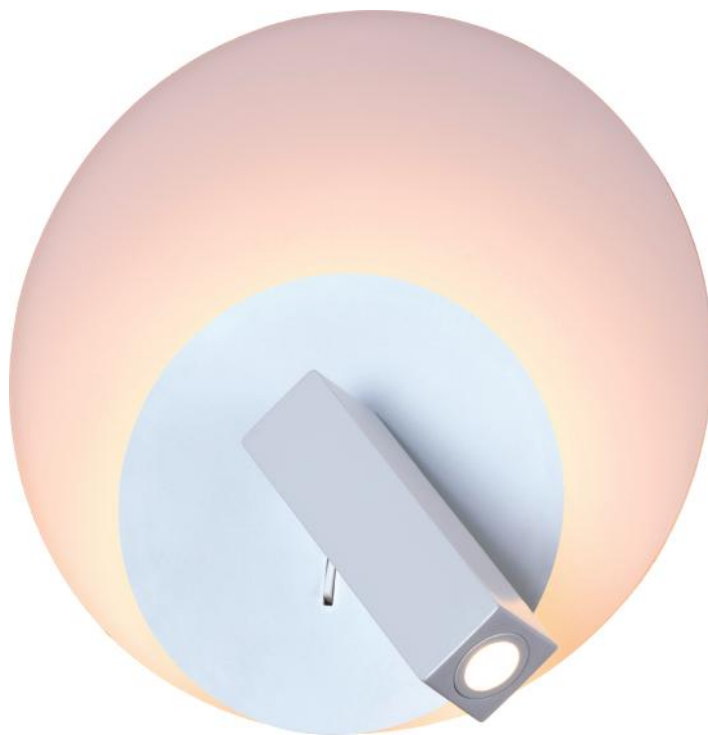
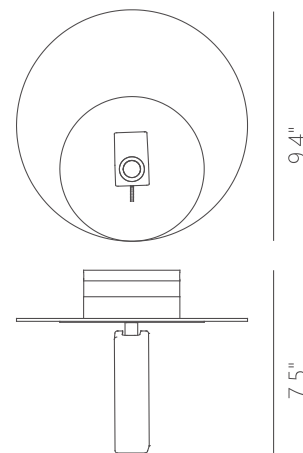


PROJECT			
DATE		TYPE	



PW130998-MH



WATER LILY

Materials:
Steel, Aluminum

Lamp Shade:
Acrylic

Finish:
MH - Matte White

Color Temp.:
3000K

CRI (Ra):
≥90

LED Rated Life:
≈50,000 Hours



PW130998

Wattage: 11W (3W+8W)
Voltage: 100~240V
Total Lumens: 960
Delivered Lumens: 666