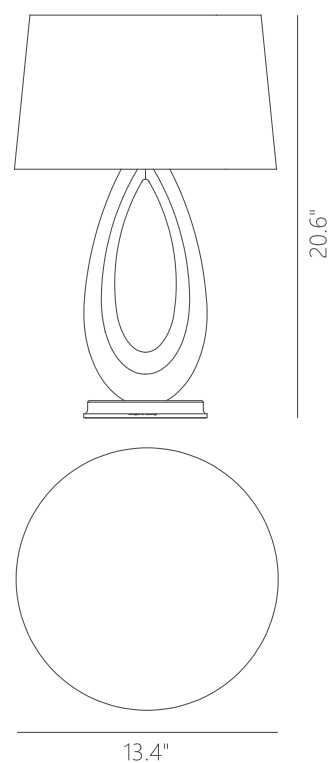


| | | | |
|----------------|--|-------------|--|
| PROJECT | | | |
| DATE | | TYPE | |



PT140914-DT/BK



ELISA

Materials:
Aluminum,
Polyurethane, Fabric

Lamp Shade:
BK - Black

Finish:
DT - Deep Taupe

Color Temp.:
3000K

CRI (Ra):
≥90

LED Rated Life:
≈50,000 Hours



| | |
|--------------------------|-----------------|
| | PT140914 |
| Wattage: | 10W |
| Voltage: | 100~240V |
| Total Lumens: | 720 |
| Delivered Lumens: | 217 |