

# KEPLER MINOR

*Arihiro Miyake*

Small version of the Kepler. Suspension lamp in extruded aluminum powder coated. Available in uplight and down light versions in white, black and the new gold finish. The continuous line is made through a three-dimensional process of extruded aluminum, designed based on the geometric principle of the Moebius strip.



# DOWNLIGHT | 2700K

## LAMPING

Source	Linear LED
Total power	77W
Emission	diffused downlight
Switching	dimmable 1-10V
Tension	120V
Color temperature	2700K
Luminous flux	4000lm (luminous output)
Typ cri	85
Energy class	A+
Ip class	20
Dimensions	33 x 33 x 13.7
Materials	Aluminum + PC
Notes	adjustable cable length 8.2' max; DALI version on request

## Codes

KEM LWW 54  
KEM LNN 54  
KEM LOW 54

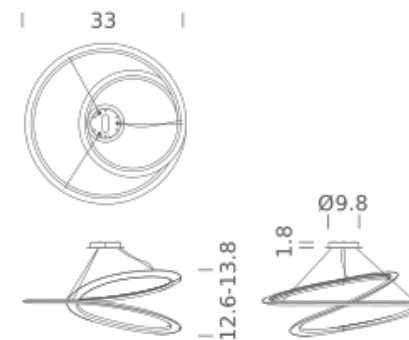
## Structure

white  
black  
gold painted

## PACKAGE

Package 01  
Dimension: 35.4 x 35.4 x 17.7 inches / Gross weight: 24.3 lbs

## Certificazioni



# DOWNLIGHT | 3000K

## LAMPING

Source	Linear LED
Total power	77W
Emission	diffused downlight
Switching	dimmable 1-10V
Tension	120V
Color temperature	3000K
Luminous flux	4000lm (luminous output)
Typ cri	85
Energy class	A+
Ip class	20
Dimensions	33 x 33 x 13.7
Materials	Aluminum + PC
Notes	adjustable cable length 8.2' max; DALI version on request

## Codes

KEM LWW 52  
KEM LNN 52  
KEM LOW 52

## Structure

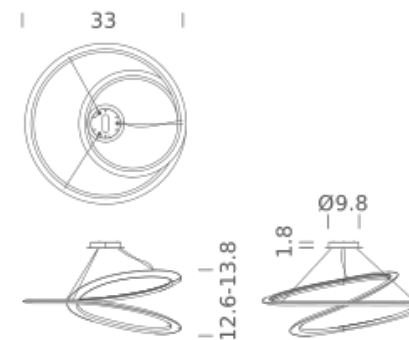
white  
black  
gold painted

## PACKAGE

Package 01

Dimension: 35.4 x 35.4 x 17.7 inches / Gross weight: 24.3 lbs

## Certificazioni



# UPLIGHT | 2700K

## LAMPING

Source	Linear LED
Total power	77W
Emission	diffused uplight
Switching	dimnable, 1-10V
Tension	120V
Color temperature	2700K
Luminous flux	4000lm (luminous output)
Typ cri	85
Energy class	A+
Ip class	20
Dimensions	33 x 33 x 13.7
Materials	Aluminum + PC
Notes	adjustable cable length 8.2' max; DALI version on request

## Codes

KEM LWW 53  
KEM LNN 53  
KEM LOW 53

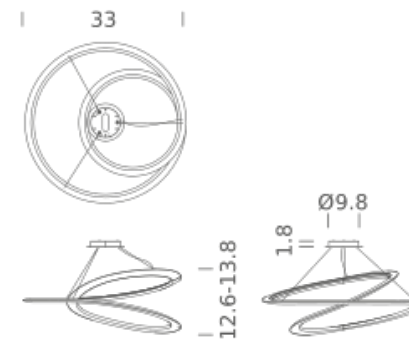
## Structure

white  
black  
gold painted

## PACKAGE

Package 01  
Dimension: 35.4 x 35.4 x 17.7 inches / Gross weight: 24.3 lbs

## Certificazioni



# UPLIGHT | 3000K

## LAMPING

Source	Linear LED
Total power	77W
Emission	diffused uplight
Switching	dimmable 1-10V
Tension	120V
Color temperature	3000K
Luminous flux	4000lm (luminous output)
Typ cri	85
Energy class	A+
Ip class	20
Dimensions	33 x 33 x 13.7
Materials	Aluminum + PC
Notes	adjustable cable length 8.2' max; DALI version on request

## Codes

KEM LWW 51  
KEM LNN 51  
KEM LOW 51

## Structure

white  
black  
gold painted

## PACKAGE

Package 01  
Dimension: 35.4 x 35.4 x 17.7 inches / Gross weight: 24.3 lbs

## Certificazioni

