

CANNA NUDA WALL/CEILING

Piero Castiglioni & Roberto Menghi

Wall/ceiling lighting fixture made with a satin nickel or burnished gold metal structure connected with a sanded glass cylinder.

Available in different lengths and LED or halogen versions.



19.7 LED/HALO

LAMPING

Source	G9
Total power	75W
Emission	Diffused
Switching	Dimmable, according to bulb
Tension	120V
Ip class	20
Dimensions	1.2 X 1.2 X 19.7
Materials	Metal + Glass
Net lamp weight	2,2 lbs

Codes

CAN HSW 41
CAN HGW 41

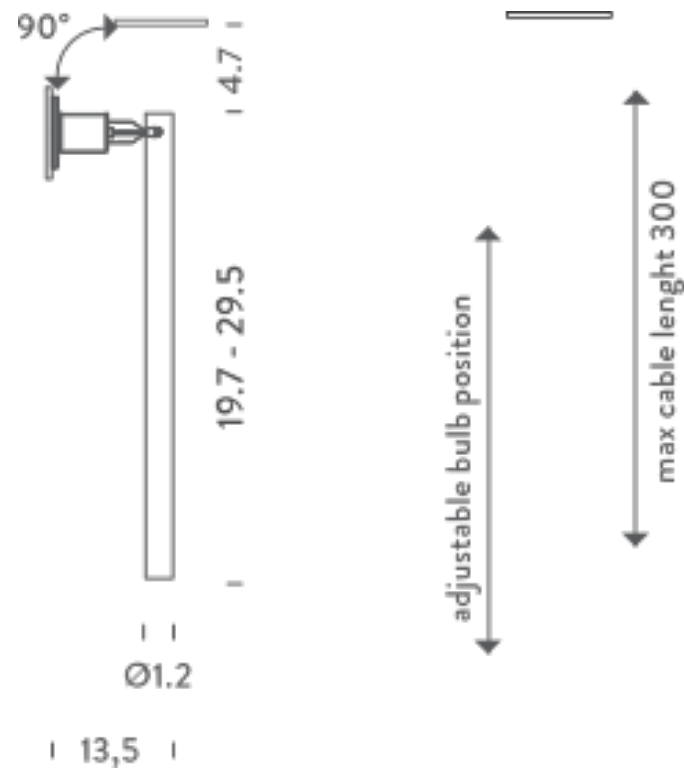
Structure

satin nickel/sanded glass
burnished gold/sanded glass

PACKAGE

Package 01

Dimension: 8.7 X 8.7 X 31.5 inches / Gross weight: 3,3 lbs



29.5 LED/HALO

LAMPING

Source	G9
Total power	75W
Emission	Diffused
Switching	Dimmable, according to bulb
Tension	120V
Ip class	20
Dimensions	1.2 X 1.2 X 29.5
Materials	Metal + Glass
Net lamp weight	2,2 lbs

Codes

CAN HSW 42
CAN HGW 42

Structure

satin nickel/sanded glass
burnished gold/sanded glass

PACKAGE

Package 01

Dimension: 8.7 X 8.7 X 31.5 inches / Gross weight: 3,3 lbs

