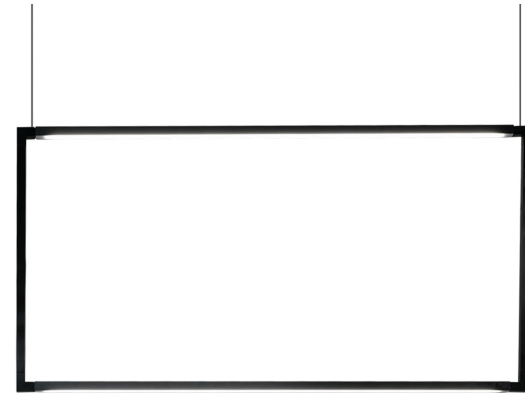


# SPIGOLO PENDANT VERTICAL

*Studiocharlie*

Pendant lamp based on an extruded and tubular aluminum structure, connected with molded polymer joints, with white or black painted finish. Thanks to the joints, enabling the profiles to house LED sources, one can rotate 360° in order to produce a directional direct or indirect lighting, screened by an opaline diffuser in polycarbonate. Allows the enlightenment of the ambience in a versatile and a comfortable way. LED sources are dimmable.



# LED 2700K

## LAMPING

Source	2xlinear LED
Total power	24+24W
Emission	double, diffused
Switching	mono switch, dimmable 1-10V
Tension	120V
Color temperature	2700K
Luminous flux	850+850lm (luminous output)
Typ cri	85
Energy class	A+
Ip class	20
Dimensions	22.8 X 44.9 X 0.8
Materials	aluminium + PC + ABS
Notes	cable length 9.8', orientable diffusers 360°, DALI version on request

## Codes

SPI LWW 53  
SPI LNN 53

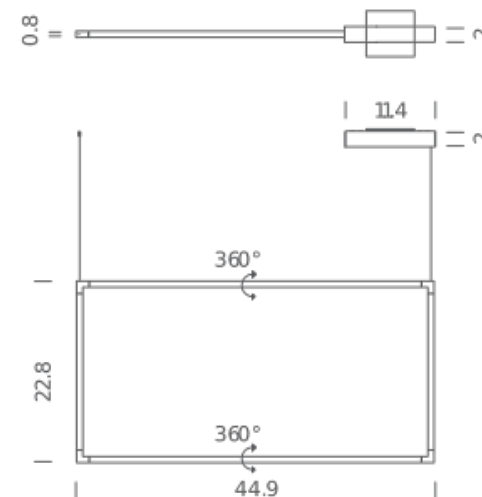
## Structure

white  
black

## PACKAGE

Package 01 Dimension: 7.1 x 8.7 x 26 inches / Gross weight: 6.2 lbs  
Package 02 Dimension: 6.7 x 7.1 x 46.5 inches / Gross weight: 4 lbs

## Certificazioni



# LED 3000K

## LAMPING

Source	2xlinear LED
Total power	24+24W
Emission	double, diffused
Switching	mono switch, dimmable 1-10V
Tension	120V
Color temperature	3000K
Luminous flux	850+850lm (luminous output)
Typ cri	85
Energy class	A+
Ip class	20
Dimensions	22.8 x 44.9 x 0.8
Materials	aluminium + PC + ABS
Notes	cable length 9.8', orientable diffusers 360°, DALI version on request

## Codes

SPI LWW 51  
SPI LNN 51

## Structure

white  
black

## PACKAGE

Package 01 Dimension: 7.1 x 8.7 x 26 inches / Gross weight: 6.2 lbs  
Package 02 Dimension: 6.7 x 7.1 x 46.5 inches / Gross weight: 4 lbs

## Certificazioni

