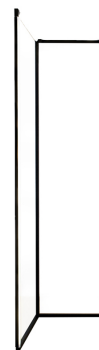


SPIGOLO FLOOR

Studiocharlie

Floor lamp based on an extruded and tubular aluminum structure, connected with molded polymer joints, with white or black painted finish. Thanks to the joints, enabling the profiles to house LED sources, one can rotate 360° in order to produce a directional direct or indirect lighting, screened by an opaline diffuser in polycarbonate. Allows the enlightenment of the ambience in a versatile and a comfortable way. LED sources are dimmable.



LED 2700K

LAMPING

Source	3xlinear LED
Total power	6+10+33W
Emission	triple, diffused
Switching	mono switch, dimmable
Tension	120V
Color temperature	2700K
Luminous flux	335lm+600lm+1765lm (luminous output)
Typ cri	85
Energy class	A+
Ip class	20
Dimensions	25.2 x 17.3 x 70.1
Materials	aluminium + PC + ABS
Notes	orientable diffusers, dimmer on cable, cable length 14.7'

Codes

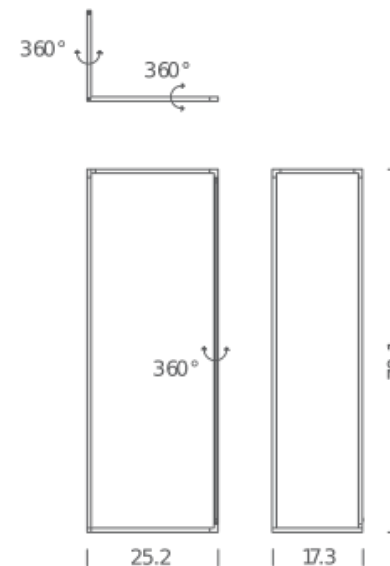
SPI LW2 23
SPI LN2 23

Structure

white
black

PACKAGE

Package 01 Dimension: 22.4 x 30.7 x 63 inches / Gross weight: 14.3 lbs
Package 02 Dimension: 7.1 x 8.7 x 74.9 inches / Gross weight: 15.4 lbs



LED 3000K

LAMPING

Source	3xlinear LED
Total power	6+10+33W
Emission	triple, diffused
Switching	mono switch, dimmable
Tension	120V
Color temperature	3000K
Luminous flux	335lm+600lm+1765lm (luminous output)
Typ cri	85
Energy class	A+
Ip class	20
Dimensions	25.2 x 17.3 x 70.1
Materials	aluminium + PC + ABS
Notes	orientable diffusers, dimmer on cable, cable length 14.7'

Codes

SPI LWW 23
SPI LNN 23

Structure

white
black

PACKAGE

Package 01 Dimension: 22.4 x 30.7 x 63 inches / Gross weight: 14.3 lbs
Package 02 Dimension: 7.1 x 8.7 x 74.9 inches / Gross weight: 15.4 lbs

