

TUBES 2 WALL

Charles Kalpakian

Wall lamp made from extruded aluminum with tubular element.
Rotatable and adjustable and available with push dimmer installed
directly on the lamp. Available in different color versions, all one
color or with two matching colors. Opal plexiglass diffusers.



TRIAC

LAMPING

Source	LED BOARD
Total power	2 X 5.5W
Emission	Orientable, spot
Switching	Dimmable TRIAC
Tension	120V
Color temperature	2700K
Luminous flux	2 x 135lm (luminous output)
Typ cri	83
Energy class	A+
Ip class	20
Dimensions	9.1 X 7.9
Materials	Aluminum + PMMA
Notes	Orientable on three axes

Codes

TTB LWC 32
TTB LWW 32
TTB LNN 32

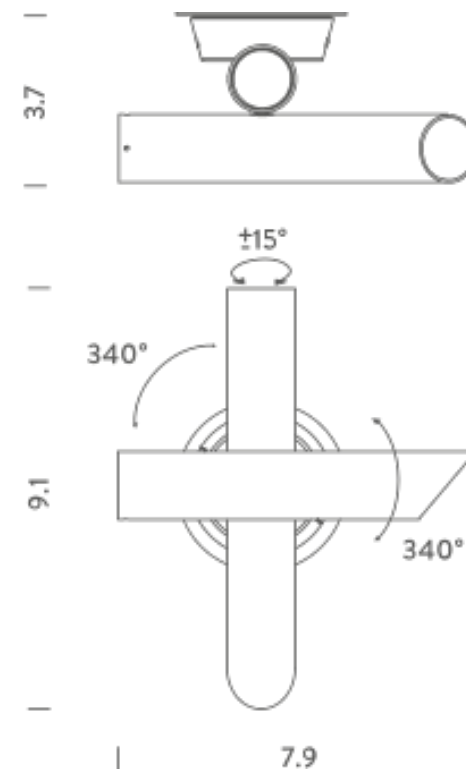
Structure/Diffuser

white/copper/white
white/white
black/white

PACKAGE

Package 01

Dimension: 5.5 X 12.2 X 4.3 inches / Gross weight: 1,2 lbs



PUSH

LAMPING

Source	LED BOARD
Total power	2 X 5.5W
Emission	Orientable, spot
Switching	Dimming, push on board
Tension	120V
Color temperature	2700K
Luminous flux	2 x 135lm (luminous output)
Typ cri	83
Energy class	A+
Ip class	20
Dimensions	9.1 X 7.9
Materials	Aluminum + PMMA
Notes	Dimming, push on board

Codes

TTB LWW 33
TTB LWC 33
TTB LNN 33

Structure/Diffuser

white/white
white/copper/white
black/white

PACKAGE

Package 01

Dimension: 5.5 X 12.2 X 4.3 inches / Gross weight: 1,2 lbs

