

TUBES 1 WALL

Charles Kalpakian

Wall lamp made from extruded aluminum with tubular element.

Rotatable and adjustable. Available in different color versions, all one color or with two matching colors. Opal plexiglass diffusers.



TUBES 1 WALL (PUSH)

LAMPING

Source	LED BOARD
Total power	5.5W
Emission	Single emission orientable spot
Switching	Dimmable, push
Tension	120V
Color temperature	2700K
Luminous flux	135lm (luminous output)
Typ cri	83
Energy class	A+
Ip class	20
Dimensions	3.2 X 9.1
Materials	Aluminum + PMMA
Notes	Single emission orientable spot

Codes

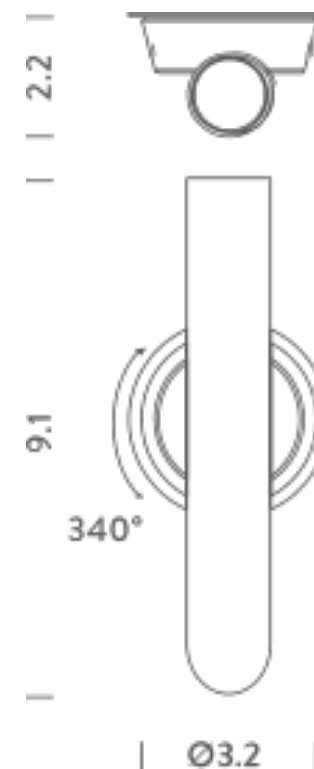
TTB LLW 34
TTB LWC 34
TTB LNN 34

Structure/Diffuser

white/white
white/copper/white
black/white

PACKAGE

Package 01	Dimension: 5.5 X 12.2 X 4.3 inches / Gross weight: 0,8 lbs
------------	--



TUBES 1 WALL (TRIAC)

LAMPING

Source	LED BOARD
Total power	5.5W
Emission	Single emission orientable spot
Switching	Dimmable TRIAC
Tension	120V
Color temperature	2700K
Luminous flux	135lm (luminous output)
Typ cri	83
Energy class	B
Ip class	20
Dimensions	3.2 X 9.1
Materials	Aluminum + PMMA

Codes

TTB LWW 31	white/white
TTB LWC 31	white/copper/white
TTB LNN 31	black/white

PACKAGE

Package 01	Dimension: 5.5 X 12.2 X 4.3 inches / Gross weight: 0,8 lbs
------------	--

