

KEPLER

Arihiro Miyake

Pendant lamp available in two sizes Kepler or Kepler Minor. The structure is a painted aluminum extrusion, whose continuous line is made through a three-dimensional machining process engineered by Nemo and designed on the basis of the geometric principle of the Moebius strip. Available in the uplight or downlight version, in matt white, black or gold painted finishes.



DOWNLIGHT | 2700K

LAMPING

Source	linear LED
Total power	86W
Emission	direct
Switching	dimmable 1-10V
Tension	120V
Color temperature	2700K
Luminous flux	4500lm (luminous output)
Typ cri	85
Energy class	A+
Ip class	20
Dimensions	43.3 x 15.7
Materials	aluminium + PC
Notes	adjustable cable length 8.2' max; DALI version on request

Codes

KEP LWW 54
KEP LNN 54
KEP LOW 54

Structure

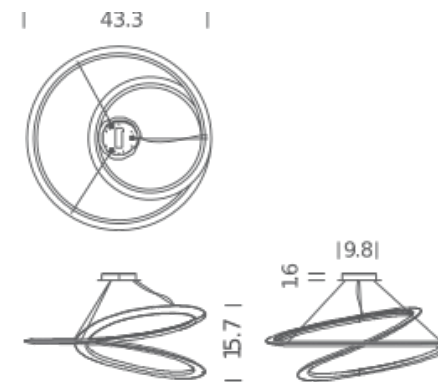
white
black
gold painted

PACKAGE

Package 01

Dimension: 47.6 x 47.6 x 20.5 inches / Gross weight: 41.9 lbs

Certificazioni



DOWNLIGHT | 3000K

LAMPING

Source	linear LED
Total power	86W
Emission	direct
Switching	dimmable 1-10V
Tension	120V
Color temperature	3000K
Luminous flux	4500lm (luminous output)
Typ cri	85
Energy class	A+
Ip class	20
Dimensions	43.7 x 15.7
Materials	aluminum + PC
Notes	adjustable cable length 8.2' max; DALI version on request

Codes

KEP LWW 52
KEP LNN 52
KEP LOW 52

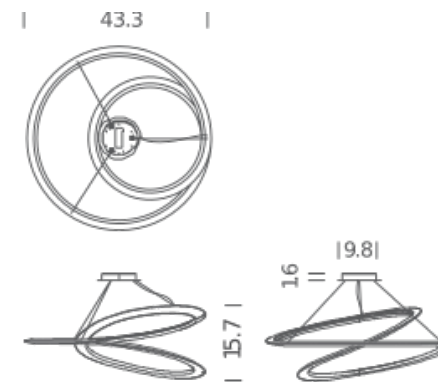
Structure

white
black
gold painted

PACKAGE

Package 01
Dimension: 47.6 x 47.6 x 20.5 inches / Gross weight: 41.9 lbs

Certificazioni



UPLIGHT | 2700K

LAMPING

Source	linear LED
Total power	86W
Emission	indirect
Switching	dimmable 1-10V
Tension	120V
Color temperature	2700K
Luminous flux	4500lm (luminous output)
Typ cri	85
Energy class	A+
Ip class	20
Dimensions	43.3 x 15.7
Materials	aluminium + PC
Notes	adjustable cable length 8.2' max; DALI version on request

Codes

KEP LWW 53
KEP LNN 53
KEP LOW 53

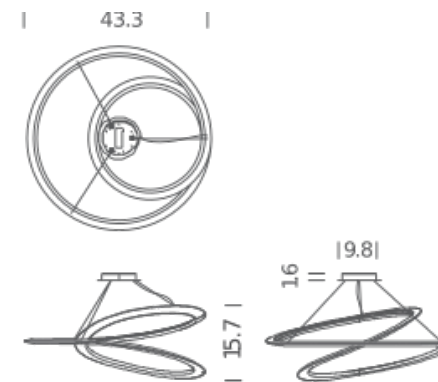
Structure

white
black
gold painted

PACKAGE

Package 01
Dimension: 47.6 x 47.6 x 20.5 inches / Gross weight: 41.9 lbs

Certificazioni



UPLIGHT | 3000K

LAMPING

Source	linear LED
Total power	86W
Emission	indirect
Switching	dimmable 1-10V
Tension	120V
Color temperature	3000K
Luminous flux	4500lm (luminous output)
Typ cri	85
Energy class	A+
Ip class	20
Dimensions	43.3 x 15.7
Materials	aluminium + PC
Notes	adjustable cable length 8.2' max; DALI version on request

Codes

KEP LWW 51
KEP LNN 51
KEP LOW 51

Structure

white
black
gold painted

PACKAGE

Package 01
Dimension: 47.6 x 47.6 x 20.5 inches / Gross weight: 41.9 lbs

Certificazioni

