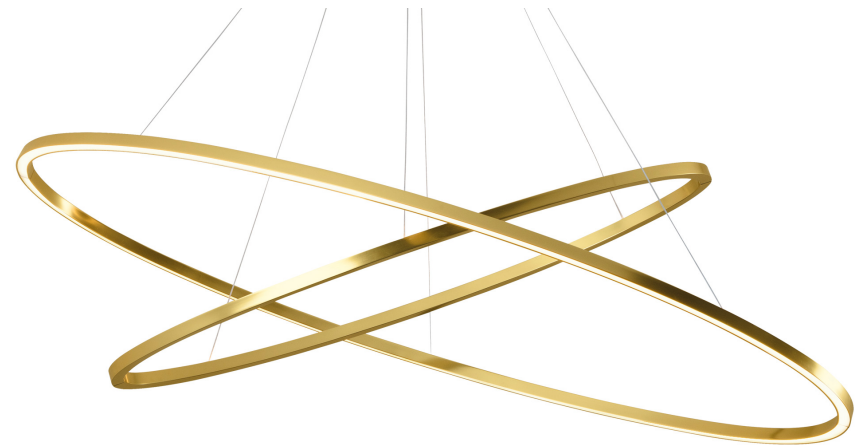


ELLISSE PENDANT DOUBLE

Federico Palazzari

LED pendant provides diffused orientable up and down light. Made from extruded aluminum in different finishes: matt lacquered white, black or gold, or polished in natural or gold. Equipped with an opal diffuser. The lamps are made using a proprietary extrusion coupling technology.



LED 2700K

LAMPING

Source	linear LED
Total power	70W
Emission	diffused uplight(minor), diffused downlight (major)
Switching	dimmable 1-10V
Tension	120V
Color temperature	2700K
Luminous flux	1980 +1300lm (luminous output)
Typ cri	85
Energy class	A+
Ip class	20
Dimensions	53.1 x 27.6 x .8
Materials	Aluminum + PC
Notes	adjustable cable length from 8.2' max, DALI version on request

Codes

- ELP LW2 56
- ELP LN2 56
- ELP LO2 56
- ELP LL2 56
- ELP LGW 56

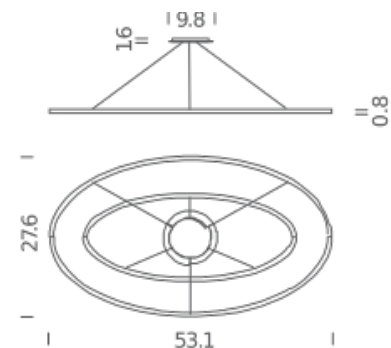
Structure

- white
- black
- gold painted
- polished aluminum
- gold polished anodized

PACKAGE

Package 01	Dimension: 31.5 x 59.1 x 5.9 inches / Net weight: 12 lbs / Gross weight: 16.5 lbs
------------	---

Certificazioni



LED 3000K

LAMPING

Source	linear LED
Total power	70W
Emission	diffused uplight(minor), diffused downlight (major)
Switching	dimnable 1-10V
Tension	120V
Color temperature	3000K
Luminous flux	1980 +1300lm (luminous output)
Typ cri	85
Energy class	A+
Ip class	20
Dimensions	53.1 x 27.6 x .8
Materials	Aluminum + PC
Notes	cable length 8.2' max, DALI version on request

Codes

ELP LWW 56
ELP LNW 56
ELP LOW 56
ELP LLW 56

Structure

white
black
gold painted
polished aluminum

PACKAGE

Package 01
Dimension: 31.5 x 59.1 x 5.9 inches / Net weight: 12 lbs /
Gross weight: 16.5 lbs

Certificazioni

