

PRODUCT FEATURES

- Inspired by Mid-Century modern art, the Orbel wall sconce features an elongated metal rectangle that supports a frosted sphere of light
- 13" tall and 5" wide
- and available in three modern finishes, aged brass, matte black and polished nickel
- Complete the look with other fixtures in the Orbel family, such as the flush mount, bath light and pyramid or round pendants
- Lamping options are compatible with most dimmers
- Protected by a 1-year warranty. please visit the "About Us" Page on techlighting.com for more for warranty details



Aged Brass

LAMPING

Rated for (1) 5 watt max. G9 Bi-Pin lamp (Not Included). LED includes 5 watt, 319.4 total delivered lumens, 3000K, LED G9 Bi-Pin lamp. Dimmable with most LED compatible ELV and TRIAC dimmers. Mounts up or down.



Aged Brass



Polished Nickel



Matte Black

ORDERING INFORMATION

700WSOBL FINISH	LAMP
R AGED BRASS	NO LAMP
B MATTE BLACK	-LED930 BI-PIN G9 LED 90 CRI 3000K 120V (T20/T24)
N POLISHED NICKEL	

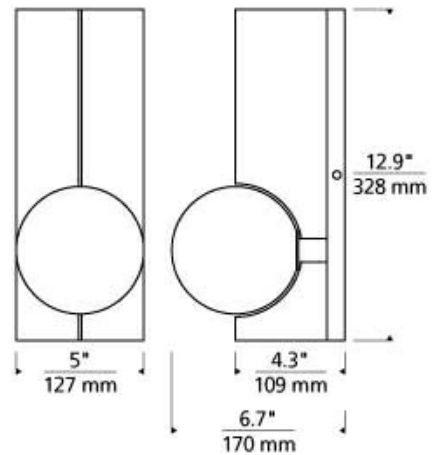
700WSOBL _____

JOB NAME _____

NOTES _____

SPECIFICATIONS

HARDWARE MATERIAL	Metal
SHADE MATERIAL	Glass
NET WEIGHT	3.5 lbs
HEIGHT	12.9in
WIDTH	6.7in
LENGTH	5in
MIN. EXTENSION FROM WALL	6.7in
UP LIGHT / DOWN LIGHT / BOTH?	
WET LISTED	
DAMP LISTED	Yes
DRY LISTED	
UP / DOWN	
HORIZONTAL / VERTICAL	
WALL / CEILING MOUNT	
GENERAL LISTING	
ADA COMPLIANT	
INCLUDES	



LAMPING SPECIFICATIONS

	LED LAMP	INTEGRATED LED	NON LED	NO LAMP
DELIVERED LUMENS	319.4			
WATTS	5			
MAX WATTAGE PER BULB	5W		5W	
INPUT VOLTAGE	120V		120V	
DIMMING TYPE*	ELV, TRIAC		ELV, TRIAC	
CCT	3000K			
CRI	90 CRI			
LED LIFETIME				
L70				
AVERAGE BULB HOURS				
FIELD SERVICEABLE LED				
LAMP BASE	LED Bi-Pin		LED Bi-Pin	
LAMP SHAPE	G9		G9	
LAMP INCLUDED?	Y		Y	
WARRANTY**	1 Year		1 Year	

* Dimming information available at www.techlighting.com/Downloads#dimming

** Visit techlighting.com for specific warranty limitations and details.

T20 / T24 INFORMATION

	Integrated LED	Replacement LED Lamp	No Lamp *
This product can be used to comply with California Building Energy Efficiency Standards 2016 Title 24 Part 6.		Yes	N/A
This product can be used to comply with California Appliance Efficiency Standards 2016 Title 20 and may be shipped to and sold in California.		Yes	N/A

* If a light fixture or component does not include a lamp or light source, it is the responsibility of the customer to select a lamp that meets the T24 and T20 requirements.

