


# COMPENDIUM PLATE

design Daniel Rybakken

**LUCE  
PLAN**

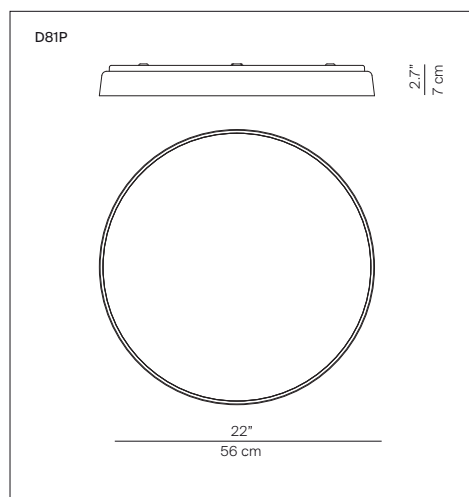
Type: Ceiling/wall  
Lamps: LED 68W<sup>(1)</sup> 3000K CRI 90  
dimmable 0-10V or Trailing Edge @ 120V~  
Product use: Indoor  
Materials: Brushed aluminum, injected thermoplastics  
Colors: Black, brass, aluminium

Description : The external profile in brushed extruded aluminium conserves the slim original thickness, creating a surface almost flush with the wall. In spite of its extremely slender design, Compendium Plate provides extraordinary lighting efficiency combined with a clean form and extreme elegance.

Certification: 

Reference code: Structure

D81P	1D810P100520	alu
	1D810P100501	black
	1D810P100530	brass



<sup>(1)</sup> The LED lamps cannot be changed in the luminaire.  
Power consumption by device

