

CAPPUCCINA

Design Inga Sempé

**LUCE
PLAN**

Type: Table

Light source: LED 15W 3000K CRI 80 dimmable
698 lm (lampshade cream version)

Product use: Indoor

Materials: Structure in die-cast aluminum (base and holder) and extruded aluminum (stem), diffuser in opaline blown glass, shade in fabric bonded to thermoplastics

Colors: structure: glacier light grey
shades: brown/pluie, cream, green/cochenille

Description: Cappuccina by Inga Sempé is a fixture composed of a slender metal base and a spherical luminous body in opaline glass, containing an LED module, on which the fabric shade simply rests, without attachment: this configuration makes it possible to move the shade and orient the light to meet different needs.

Marking: 

Reference code: Structure
D88 1D880=D00504 glacier light grey

Shade
D88/1 1D8801000028 brown/pluie
1D8801000003 cream
1D8801000011 green/cochenille



brown / pluie



cream

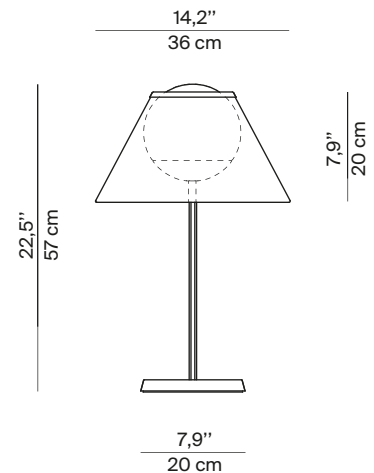


green / cochenille

Anti fall accessory
D88/3 1D8803000000



D88



D88/3 accessory

