

GRACE 36 CHANDELIER

PRODUCT FEATURES

- Halo of light is gracefully created by two rings with integrated LED technology
- Available as a weathered oak ring with a black inner ring and available as two aged brass rings
- Offered in two large diameters, 30" and 36"
- Ships with 12 feet of field-cuttable cable
- Dimmable with low-voltage electronic dimmer
- Protected by a 5-year warranty. please visit the "About Us" Page on techlighting.com for more for warranty details



LAMPING

Includes 120 volt 80.3 watt, 5768.2 total delivered lumens, 3000K LED module. Dimmable with most LED compatible ELV and TRIAC dimmers. Ships with 12 feet of field-cuttable cable.

Matte Black/Weathered Oak Wood



Aged Brass

Matte Black/Weathered Oak Wood

ORDERING INFORMATION

700GRC	LENGTH (A)	FINISH	LAMP
	36 36"	R AGED BRASS BW MATTE BLACK/WEATHERED OAK WOOD	-LED930 INTEGRATED LED 90CRI 3000K 120V (T24)

700GRC _____

JOB NAME _____

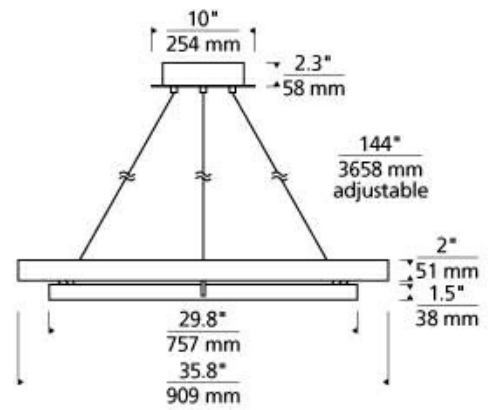
NOTES _____



GRACE 36 CHANDELIER

SPECIFICATIONS

HARDWARE MATERIAL	Metal
SHADE MATERIAL	Aluminum
NET WEIGHT	23 lbs
HEIGHT	3.5in
WIDTH	35.8in
LENGTH	35.8in
UP LIGHT / DOWN LIGHT / BOTH?	
WET LISTED	
DAMP LISTED	Yes
DRY LISTED	
MIN. HANGING HEIGHT	11.8in
MAX HANGING HEIGHT	149.8in
TOTAL CORD LENGTH	144in
TOTAL STEM LENGTH	
STEM QTY	
SLOPED CEILING ADAPTABLE?	
GENERAL LISTING	
INCLUDES	



LAMPING SPECIFICATIONS

	LED LAMP	INTEGRATED LED	NON LED	NO LAMP
DELIVERED LUMENS		5768.2		
WATTS		80.3		
MAX WATTAGE PER BULB		80.3W		
INPUT VOLTAGE		120V		
DIMMING TYPE*		ELV, TRIAC		
CCT		3000K		
CRI		90 CRI		
LED LIFETIME				
L70				
AVERAGE BULB HOURS				
FIELD SERVICEABLE LED				
LAMP BASE		Integrated LED		
LAMP SHAPE		Integrated LED		
LAMP INCLUDED?		Y		
WARRANTY**		5 Years		

*Dimming information available at www.techlighting.com/Downloads#dimming
 ** Visit techlighting.com for specific warranty limitations and details.

T20 / T24 INFORMATION

	Integrated LED	Replacement LED Lamp	No Lamp *
This product can be used to comply with California Building Energy Efficiency Standards 2016 Title 24 Part 6.	Yes		
This product can be used to comply with California Appliance Efficiency Standards 2016 Title 20 and may be shipped to and sold in California.	N/A		

* If a light fixture or component does not include a lamp or light source, it is the responsibility of the customer to select a lamp that meets the T24 and T20 requirements.

