

TOBIA floor lamp

Edmondo Testaguzza design

year 2017

DATA SHEET - HP145 1F V11

STRUCTURE "A"

material techno polymer
colour white



ELECTRICAL CABLE

colour black



ELECTRICAL SYSTEM

source LED
15W, 1430lumen, 3000K
class A+

PACKAGING

nr. of collis 1
net weight/kg 3,6
gross weight/kg 7,5
packaging/cm 190x40x40

ACCESSORY WALL HOOK - AC143 4A INT

not provided

material brushed steel



ACCESSORY FLOOR PEDISTAL - AC143 5A INT

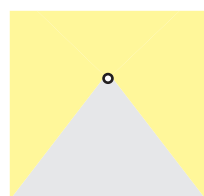
not provided

material steel inox



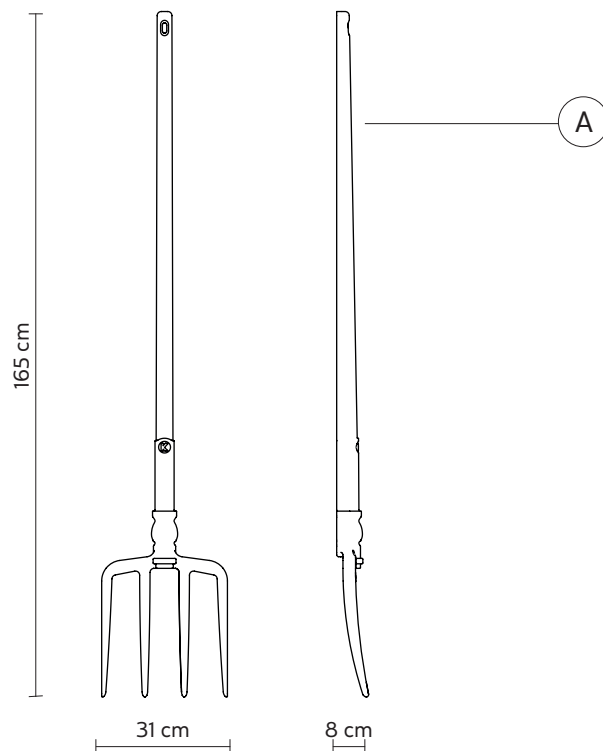
EMISSION OF LIGHT

one directional



direct
filtered
indirect
none

LED equipped



COLLECTION

available also as: outdoor version



HP145 2P V11



HP145 3R V11