

**HARMONIX** Chandelier & Pendants  
PD-87924

**MODERN FORMS**

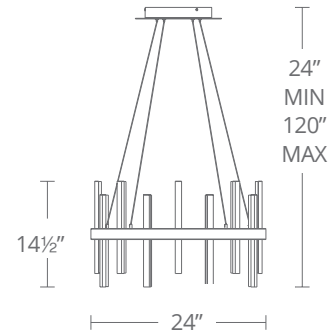


Fixture Type:

Catalog Number:

Project: \_\_\_\_\_

Location: \_\_\_\_\_



**PRODUCT DESCRIPTION**

Like a dynamic instrument of musical chimes, Harmonix plays to the rhythm of light. A duet of gorgeous black with aged brass. Beautiful playful light perfectly executed in two formats.

**SPECIFICATIONS**

**Construction:** Aluminum

**Light Source:** High output LED

**Dimming:** ELV / 0-10V

**Finish:** Black/Aged Brass (BK/AB)

**Standards:** ETL & cETL damp location listed, CEC Title 24 compliant

**FEATURES**

- Frosted diffusers spread light evenly
- Thin, powered aircraft cables provide an ultra-clean look for adjustable suspension height
- Universal Driver (120-277V) within canopy
- Rated Life: 50,000 hours
- Color temp: 3000K
- CRI: 90

**ORDER NUMBER**

Model	Diameter	Wattage	Voltage	LED Lumens	Delivered Lumens	Finish
<b>PD-87924</b>	24"	56W	120-277V	5040	2425	<b>BK/AB</b> Black/Aged Brass 

Example: **PD-87924-BK/AB**

<b>modernforms.com</b>	<b>Headquarters/Eastern Distribution Center</b>	<b>Central Distribution Center</b>	<b>Western Distribution Center</b>
Phone (866) 810.6615	44 Harbor Park Drive	1600 Distribution CT.	1750 Archibald Avenue
Fax (800) 526.2585	Port Washington, NY 11050	Lithia Springs, GA 30122	Ontario, CA 91760