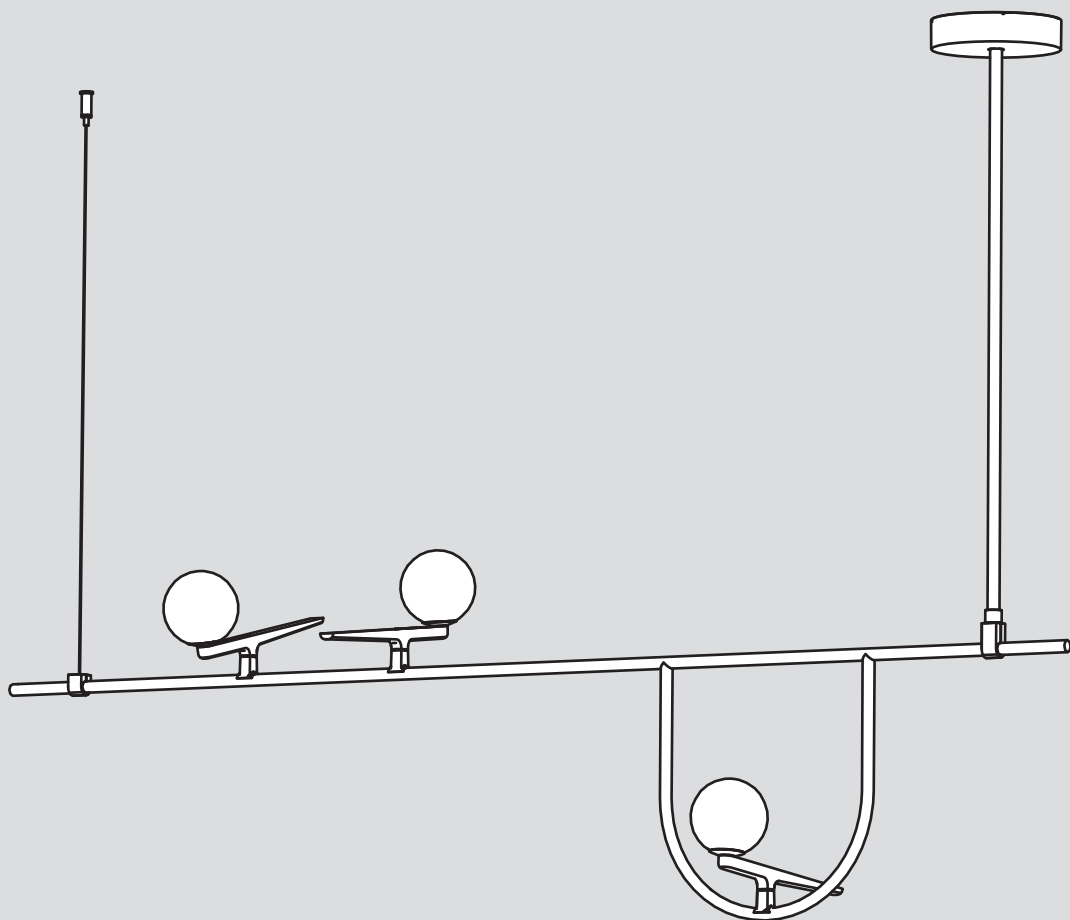


# Artemide®

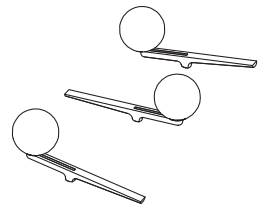
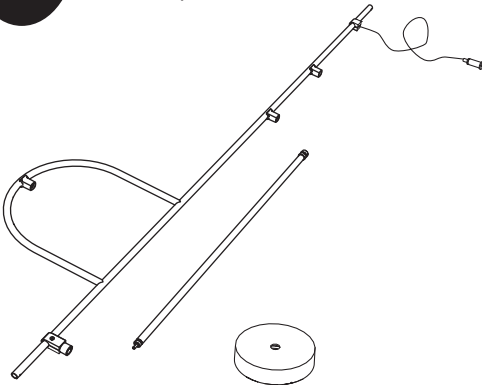
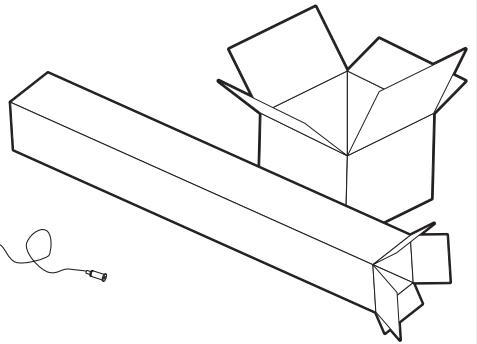
## Yanzi

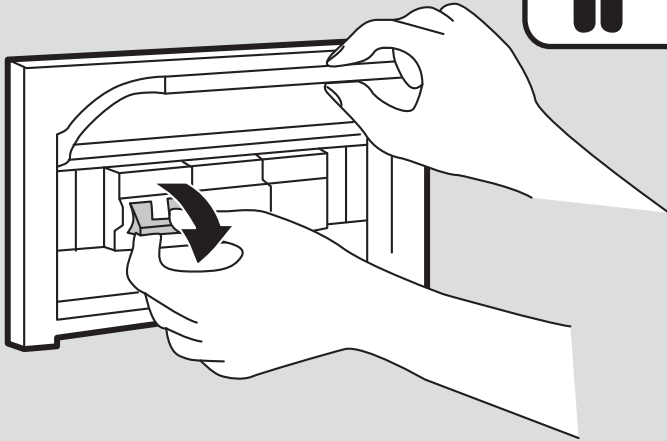
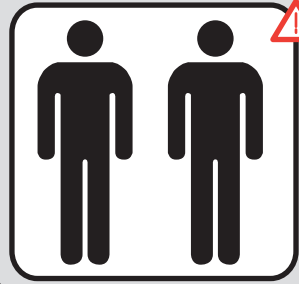
design  
Neri & Hu



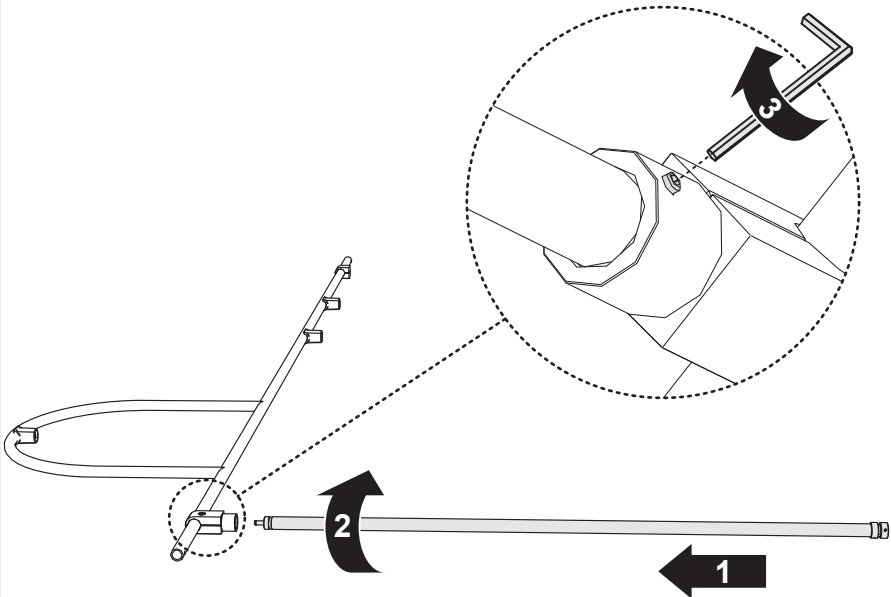


i

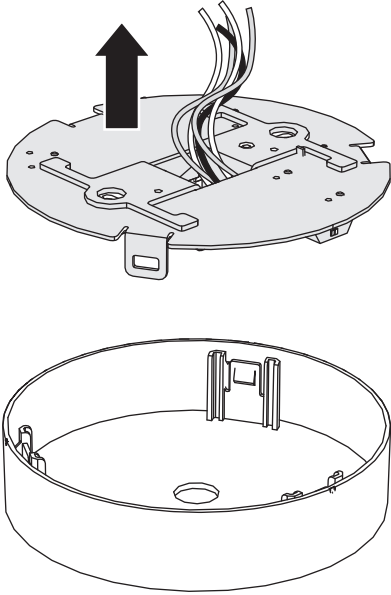




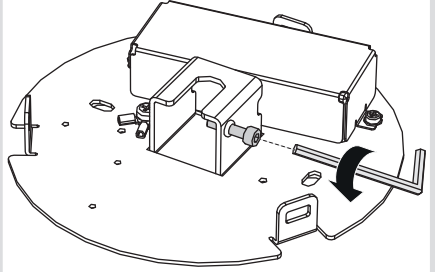
1



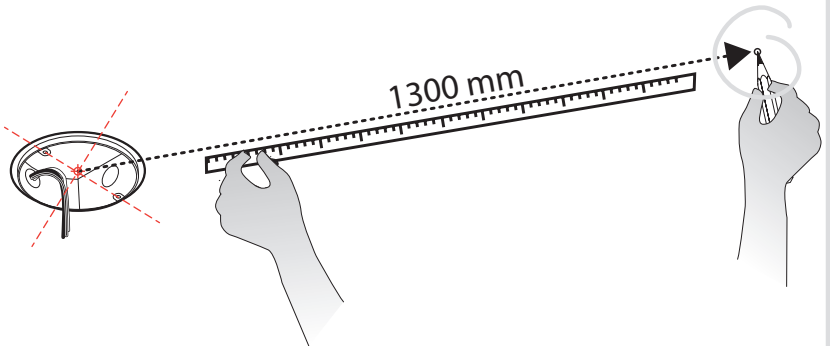
2



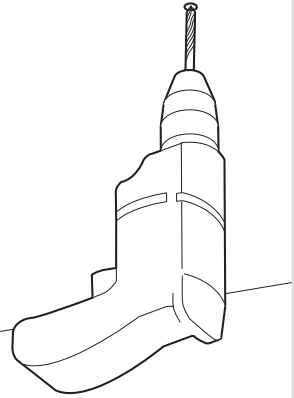
3



4



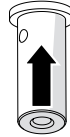
5



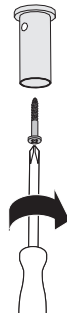
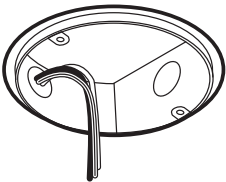
6



7

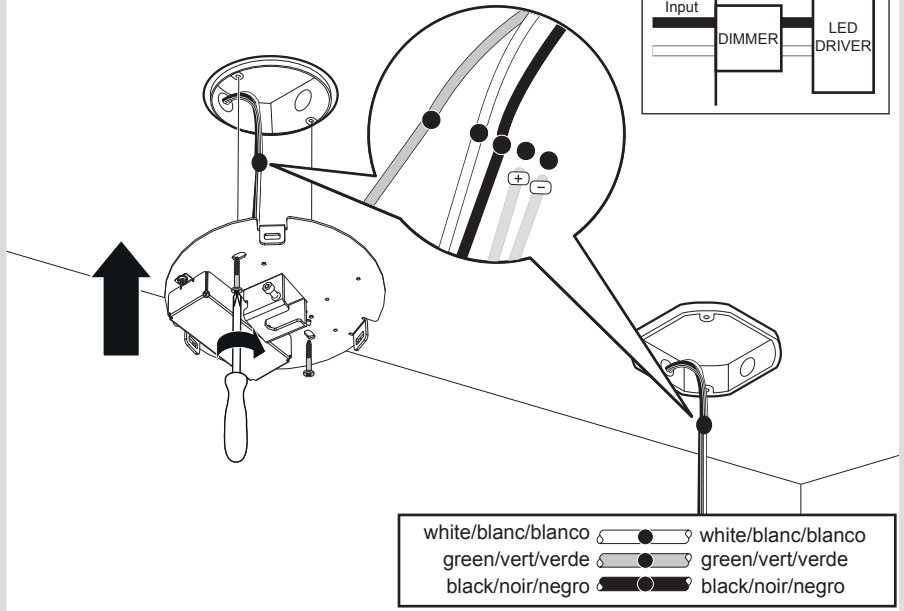
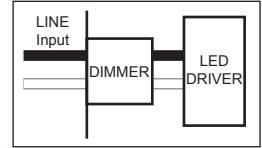


8



**9a**

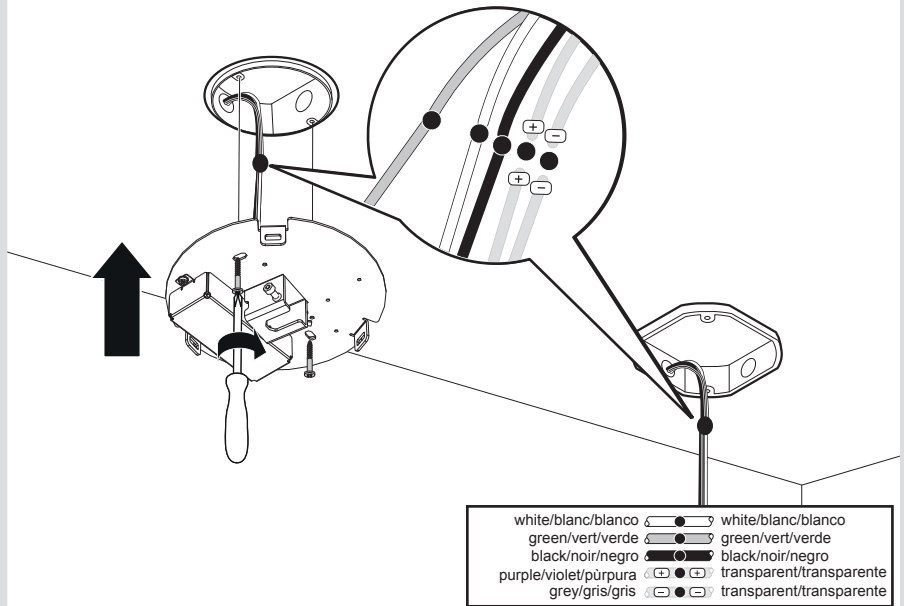
120 V

 Phase cut  
 Coupure de phase  
 Corte de fase


white/blanc/blanco	↔	●	↔	white/blanc/blanco
green/vert/verde	↔	●	↔	green/vert/verde
black/noir/negro	↔	●	↔	black/noir/negro

**9b**

120-277 V

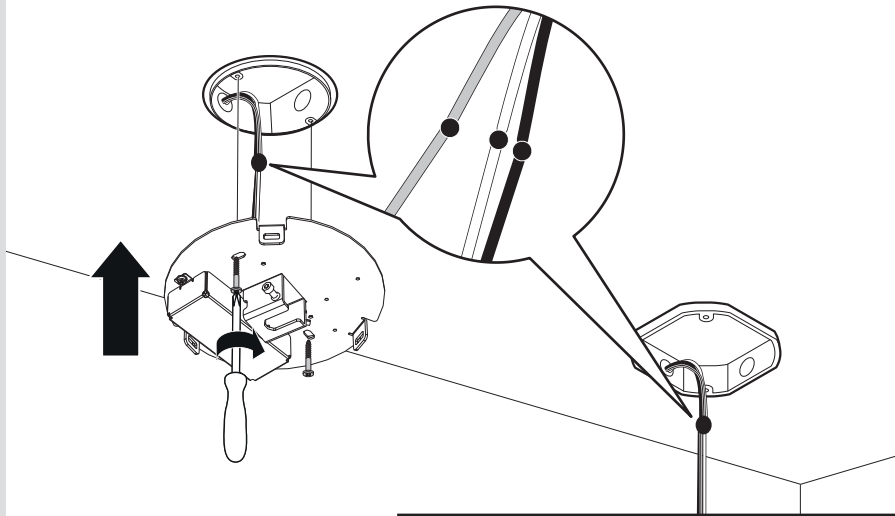
 1-10 V dimming control  
 Dimmable 1-10 V  
 Regulable mediante control 1-10 V


white/blanc/blanco	↔	●	↔	white/blanc/blanco
green/vert/verde	↔	●	↔	green/vert/verde
black/noir/negro	↔	●	↔	black/noir/negro
purple/violet/púrpura	↔	□	↔	transparent/transparente
grey/gris/gris	↔	□	↔	transparent/transparente

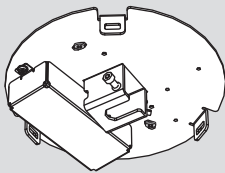
9c

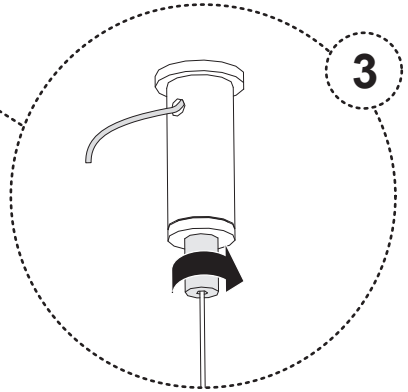
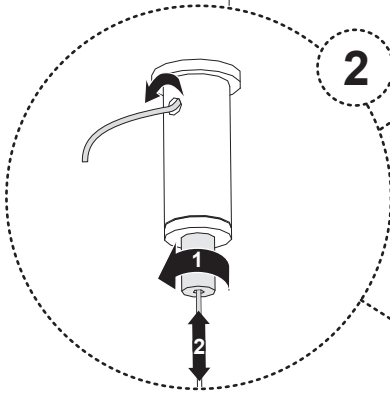
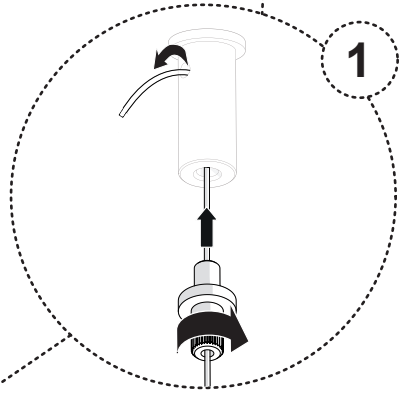
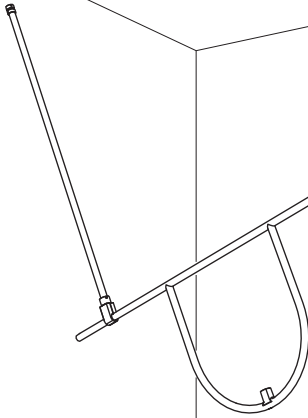
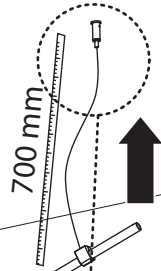


120-277 V



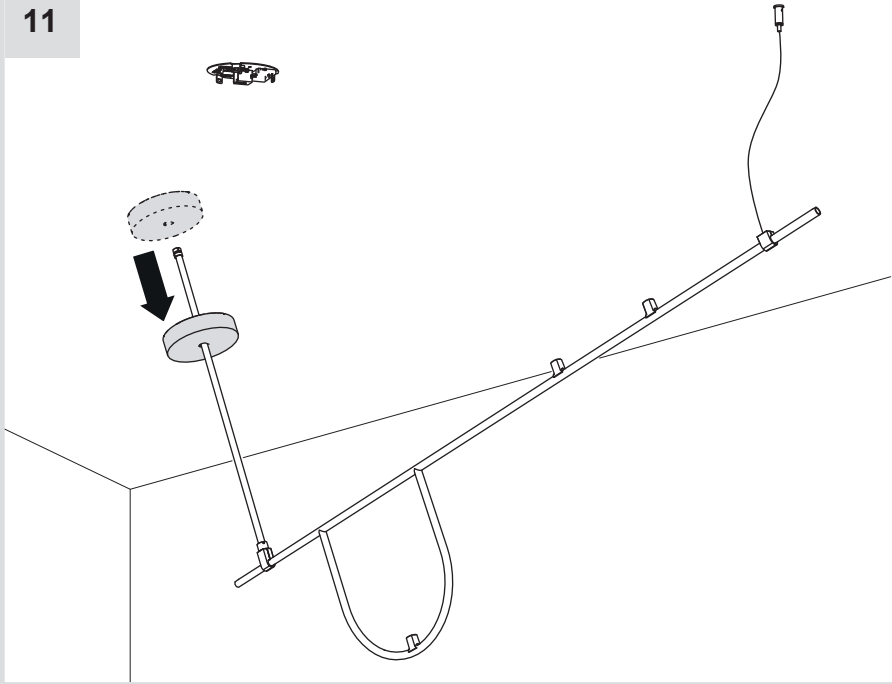
white/blanc/blanco		white/blanc/blanco
green/vert/verde		green/vert/verde
black/noir/negro		black/noir/negro



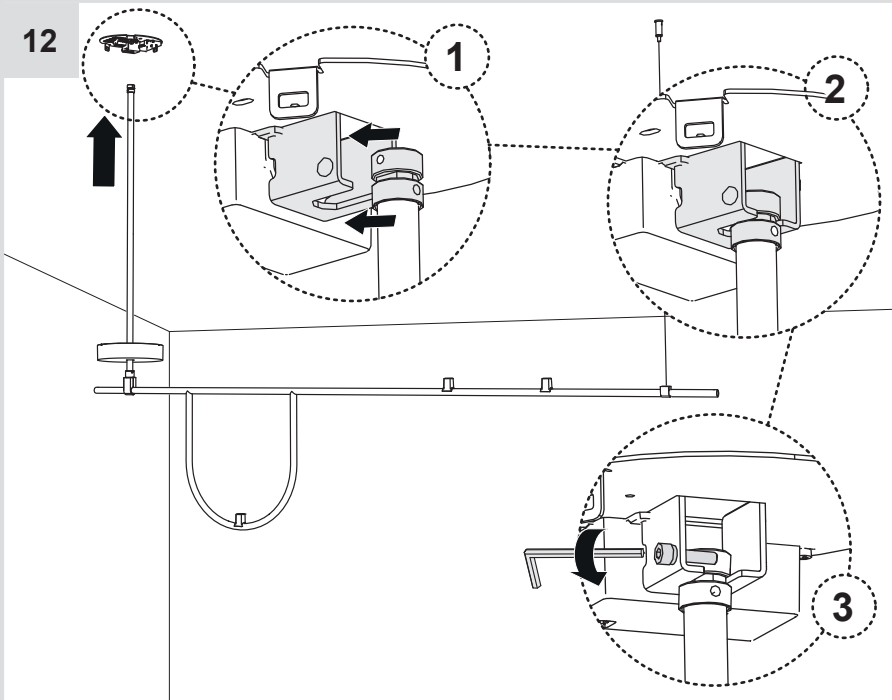




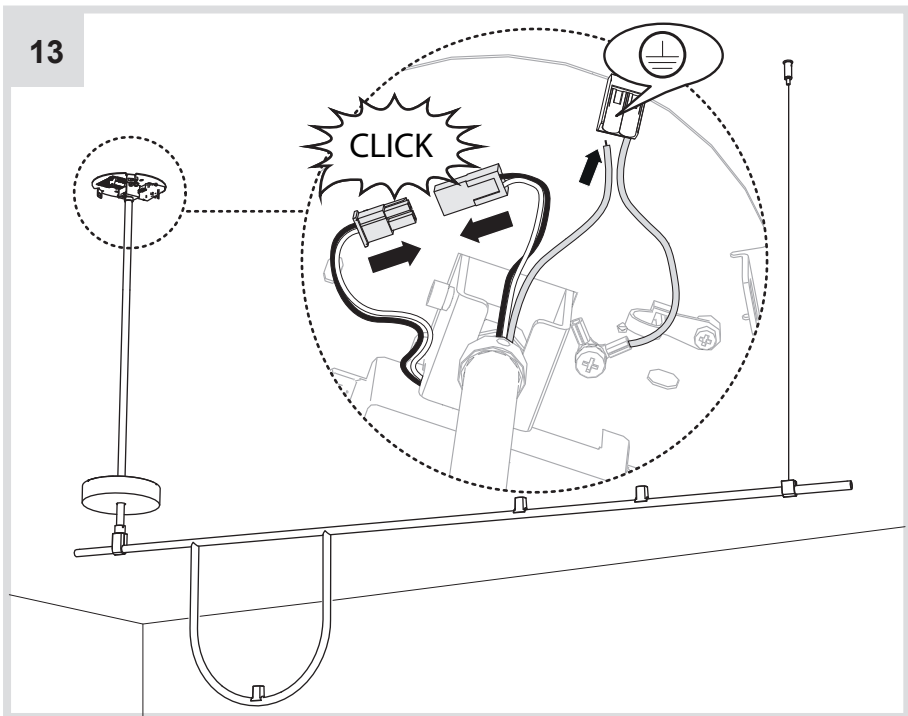
11



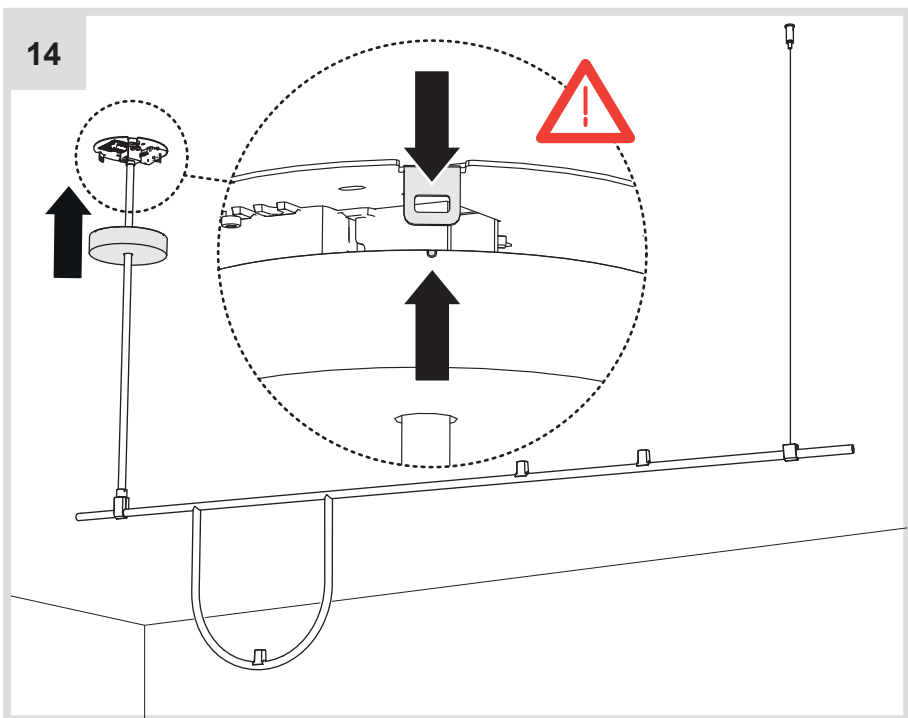
12



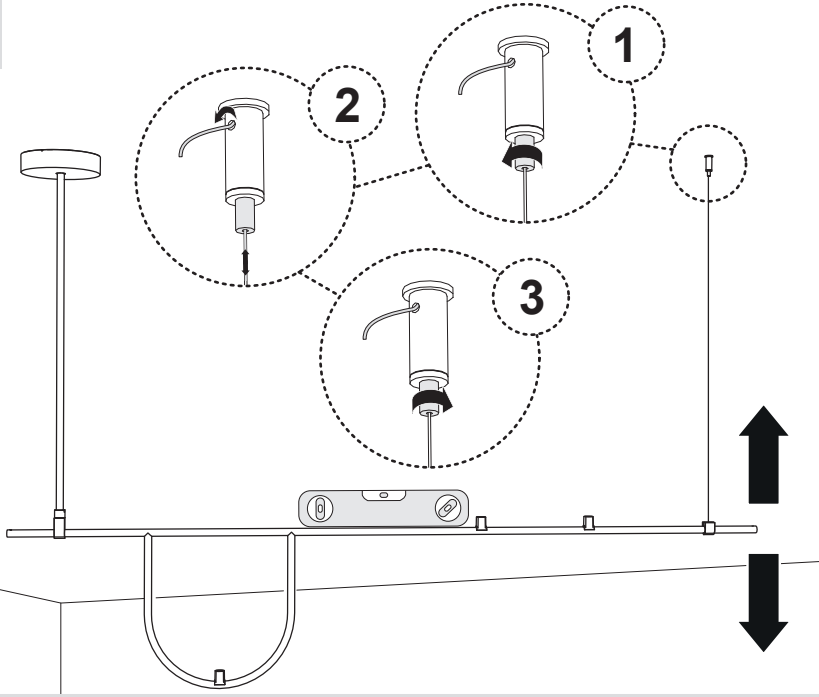
13



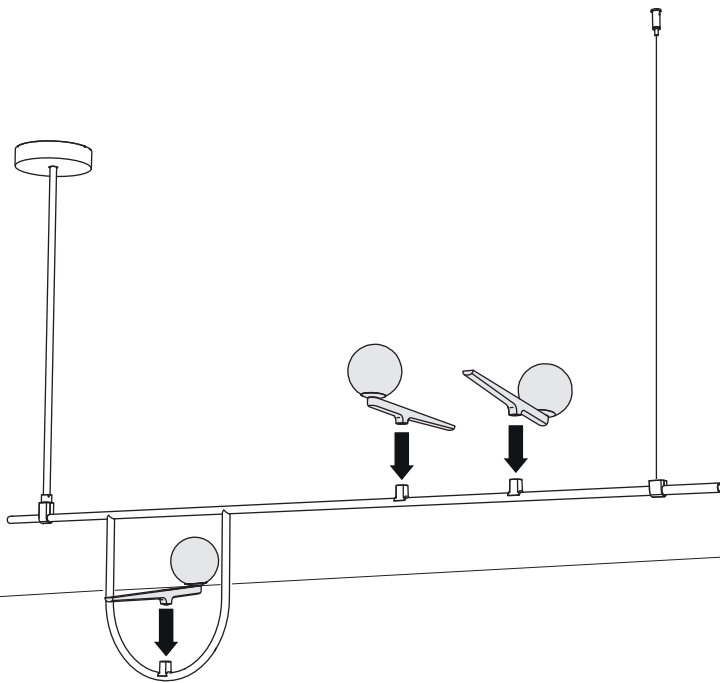
14

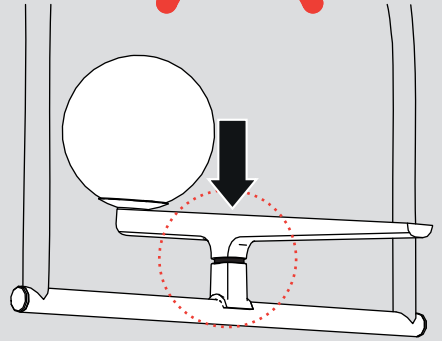
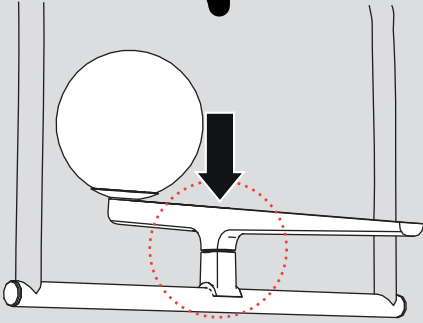


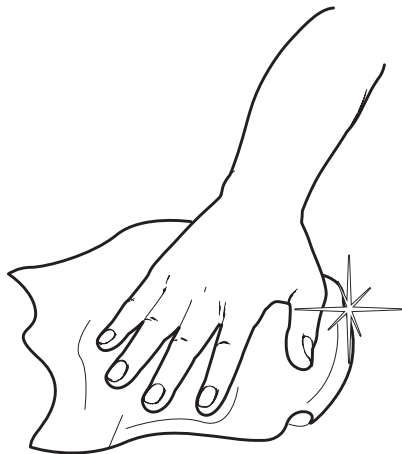
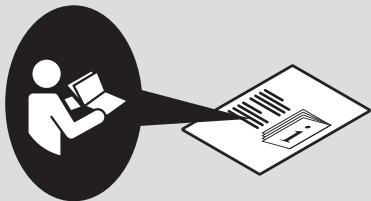
15



16











# Artemide®



## **Artemide**

via Bergamo, 18  
20010 Pregnana M.se (MI)  
ITALIA

tel. +39 02 935 181  
fax +39 02 935 90 254  
fax +39 02 935 90 496

[www.artemide.com](http://www.artemide.com)

VAT IT00846890150

## **Artemide Inc.**

250 Karin Lane  
Hicksville, NY 11801

Tel. 631 694 9292  
Toll Free 1-877-Art-9111  
Fax 631 694 9275

[www.artemide.net](http://www.artemide.net)

## **Artemide Ltée/Ltd.**

11105 rue Renaude Lapointe  
Montréal, Québec H1J 2T4

Tel. 514 323 6537  
Toll Free 888 777 2783  
Fax 514 323 8864

[www.artemide.net](http://www.artemide.net)

cod. Y513000915