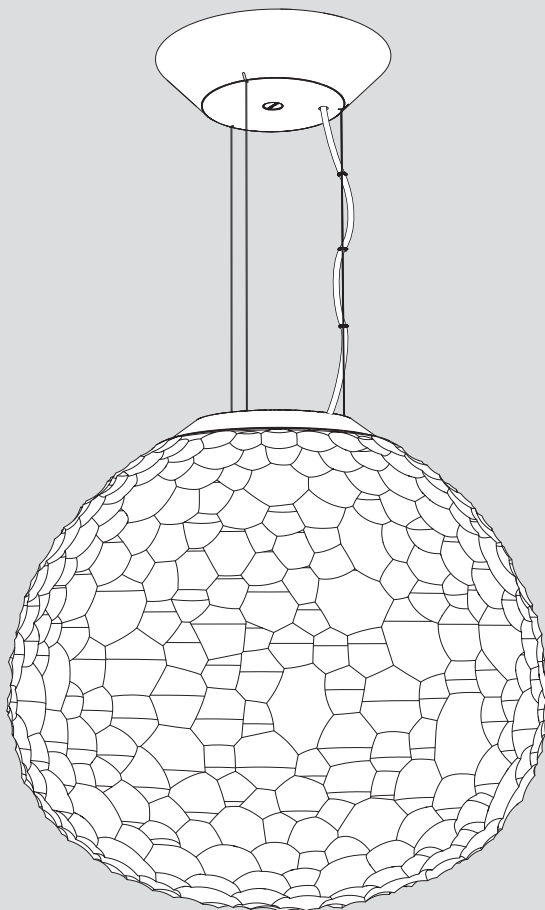


Artemide®

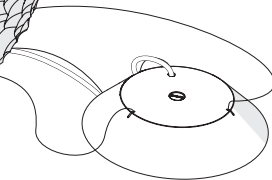
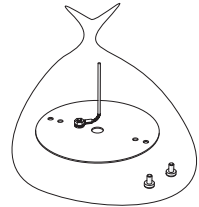
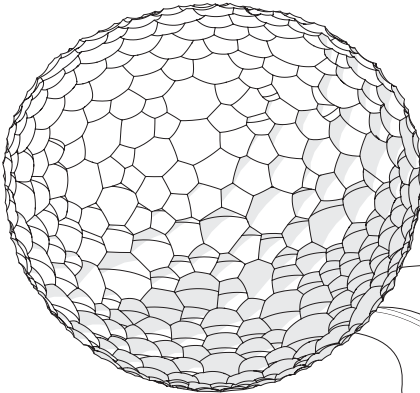
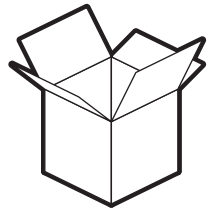
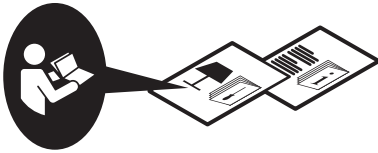
Meteorite 48

design
Pio & Tito Toso

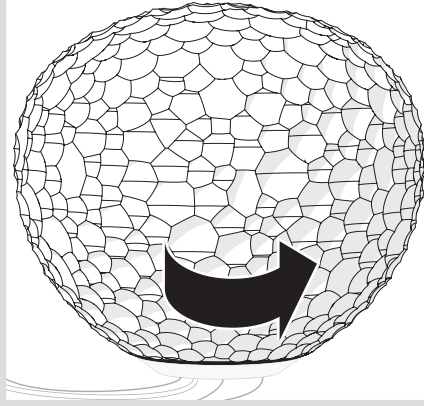




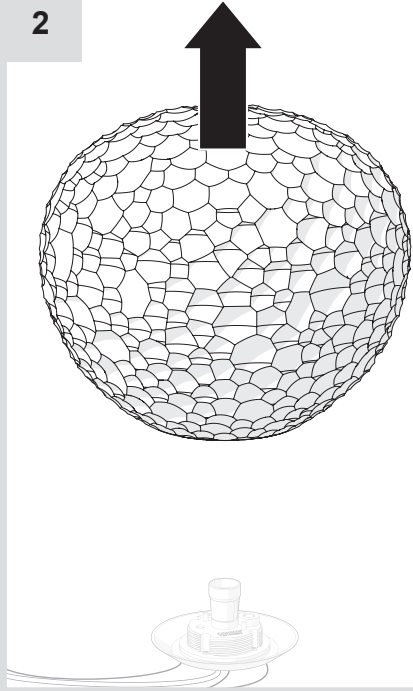
i



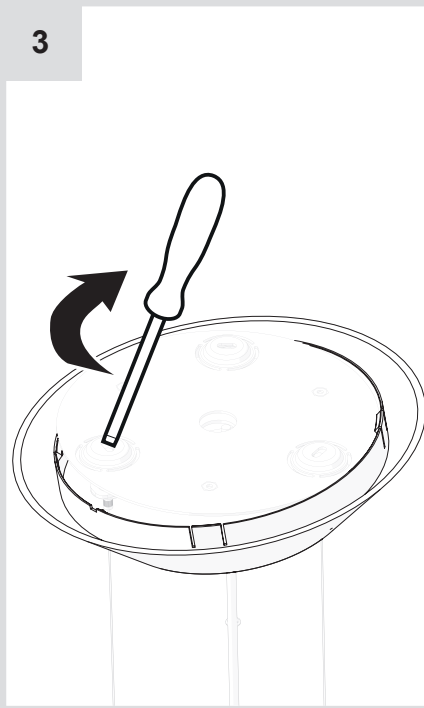
1



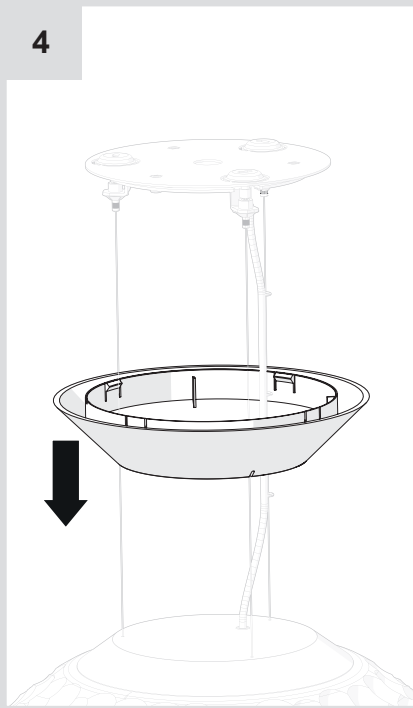
2



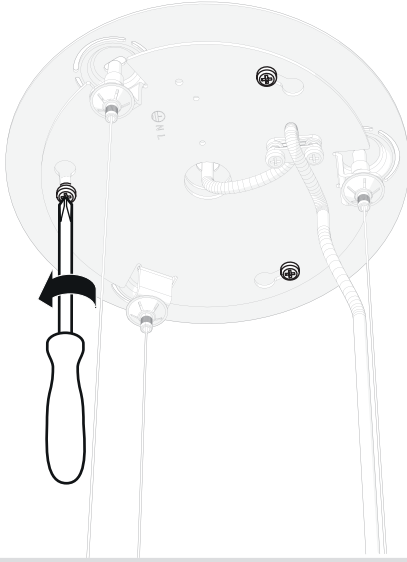
3



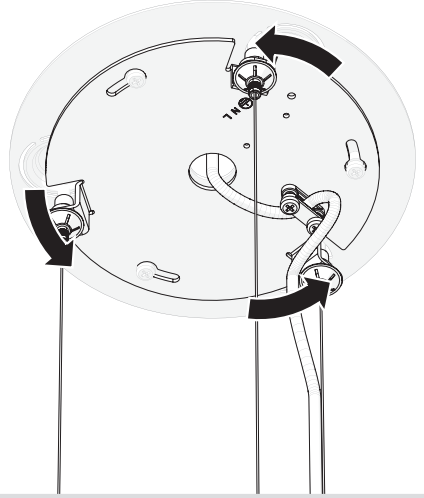
4



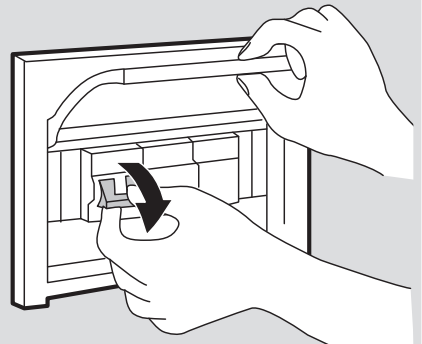
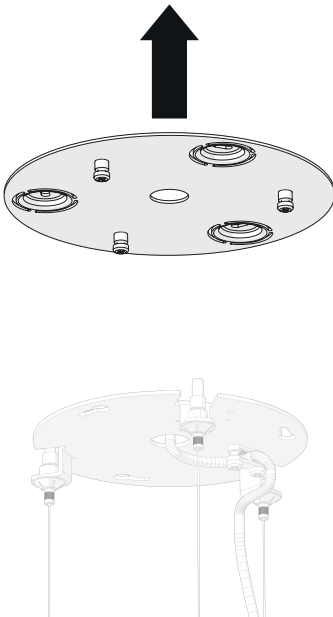
5



6



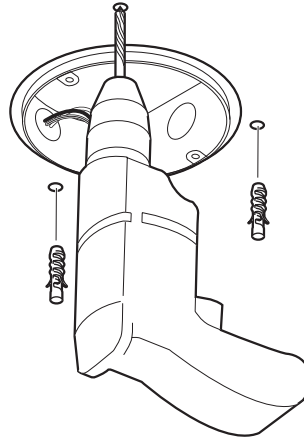
7



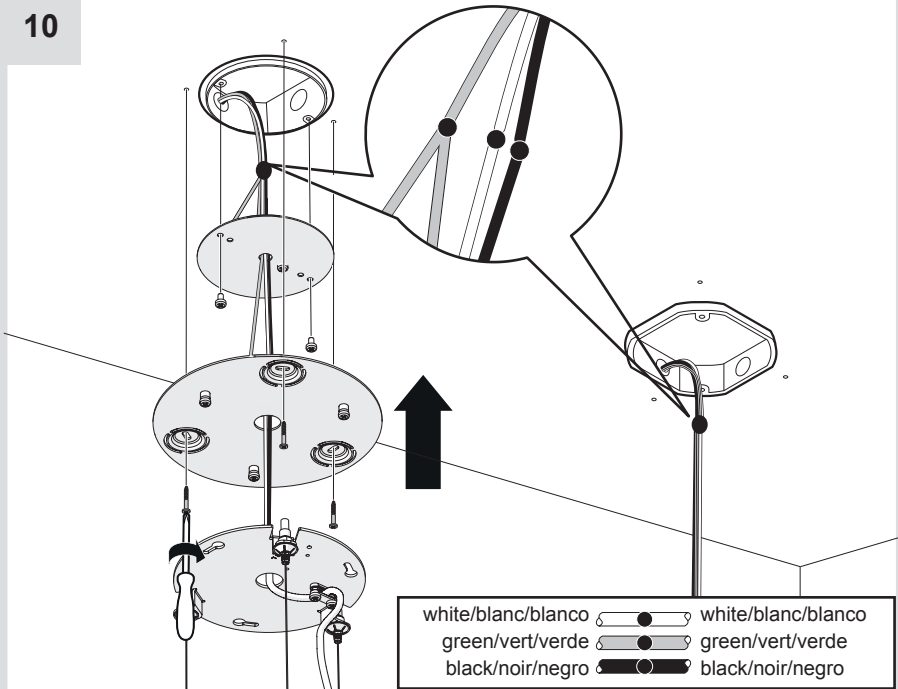
8



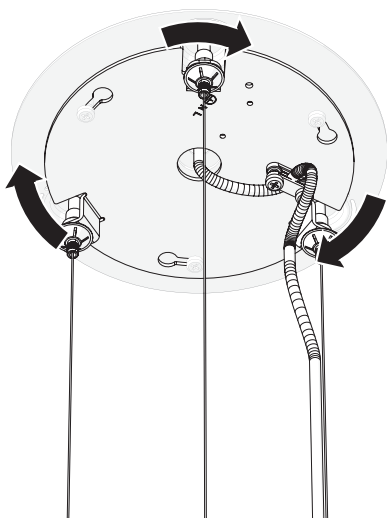
9



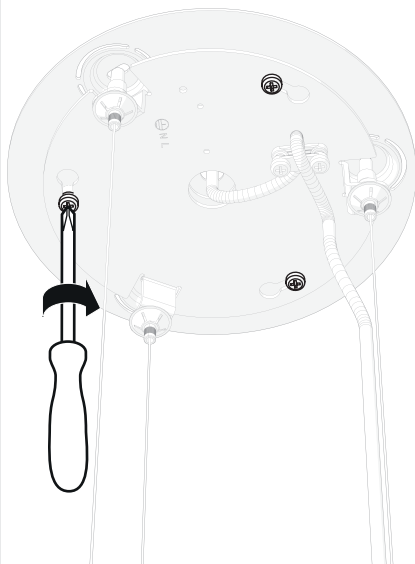
10



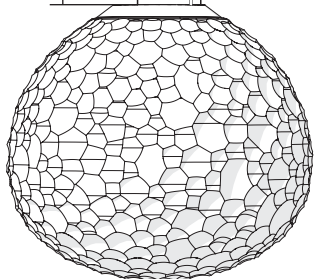
11



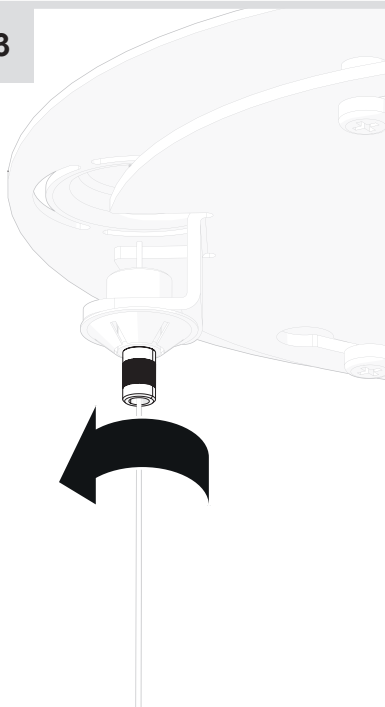
12



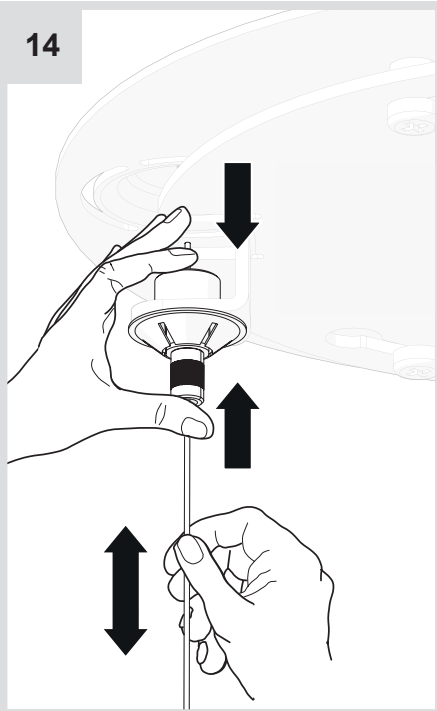
max 190 cm



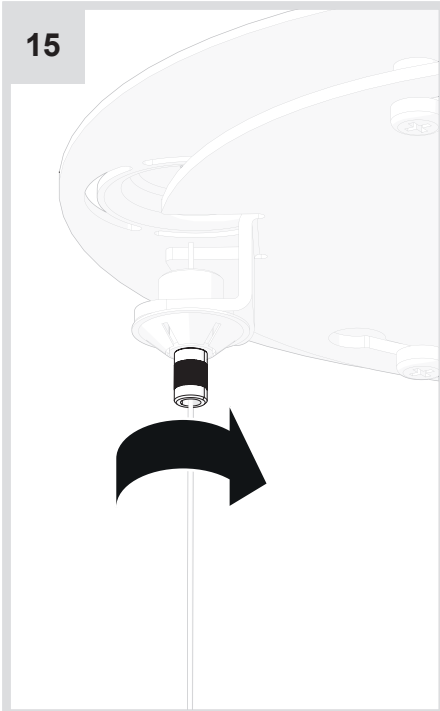
13



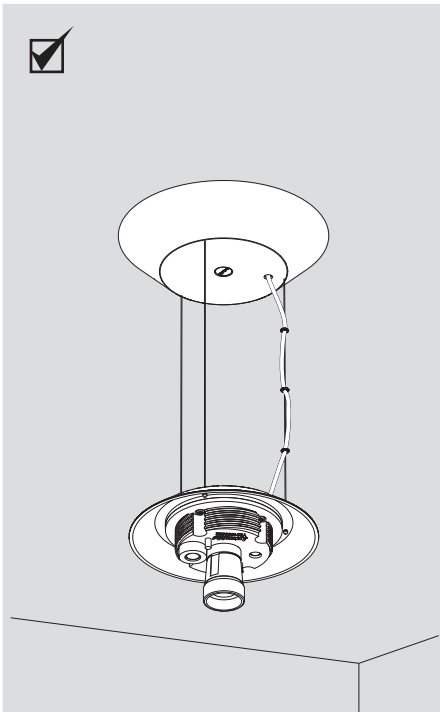
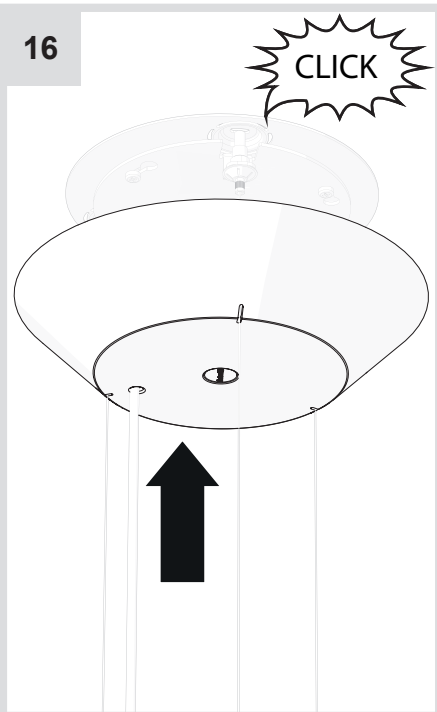
14



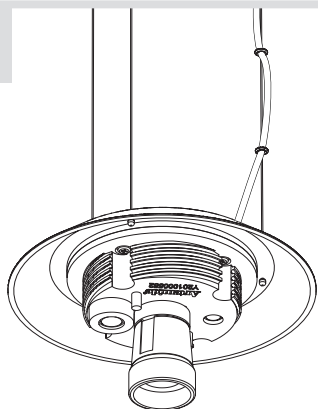
15



16

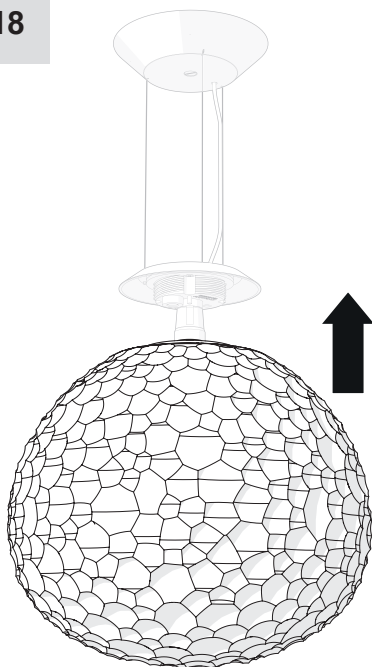


17

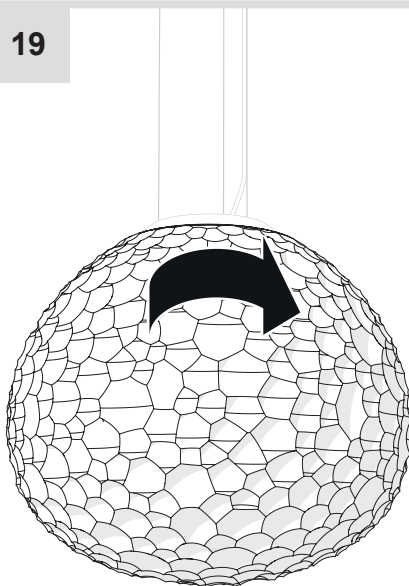


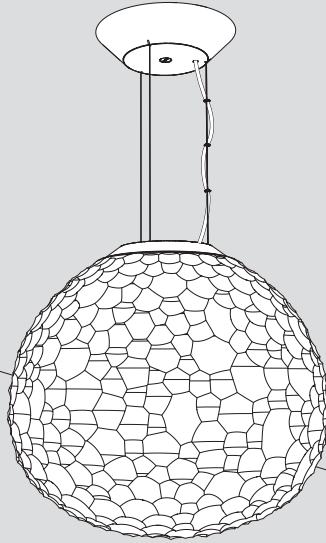
MAX 150W TYPE T10 SHIELDED
MAX 150W TYPE A AVEC ECRAN
MAX 23W cULus LISTED SBCFL
MAX 19W cULus LED LAMP

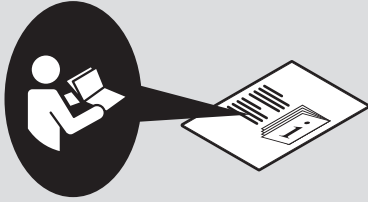
18



19







Artemide®



Artemide

via Bergamo, 18
20010 Pregnana M.se (MI)
ITALIA

tel. +39 02 935 181
fax +39 02 935 90 254
fax +39 02 935 90 496

www.artemide.com

VAT IT00846890150

Artemide Inc.

1980 New Highway
Farmingdale NY 11735

Tel. 631 694 9292
Toll Free 1-877-Art-9111
Fax 631 694 9275

www.artemide.us

Artemide Ltée/Ltd.

11105 rue Renaude Lapointe
Montréal, Québec H1J 2T4

Tel. 514 323 6537
Toll Free 888 777 2783
Fax 514 323 8864

www.artemide.ca

cod. Y513000422A