

Yanzi floor

1102015A

SPECIFICATIONS



Design By

NERI&HU

Collection

Design



Specifications

| | |
|------------------------------------|--------------------|
| Delivered lumens | 1682lm |
| Light output ratio | 105lm/W |
| Power consumption | 19.9W |
| Led type | 16.4W Array* |
| CCT (Correlated Color Temperature) | 3000K |
| CRI (Color Rendering Index) | >90 |
| Life expectancy | 50000Hrs |
| Control type | DIMMABLE (On stem) |
| Input Voltage | 120V |
| Driver | N/A |

Colors & Finishes

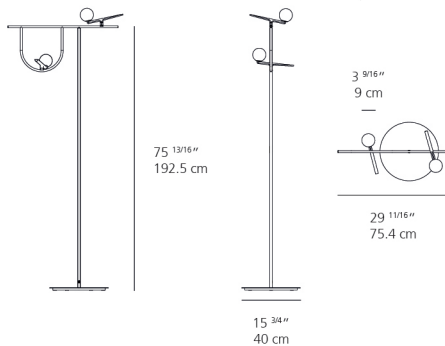
- Glass white (Diffuser)
- Brushed Brass (Swallows)
- Black (Stem & Base)

Materials

- Small opal blown glass diffuser
- Stem in painted steel
- Bird body in cast Zamak, gold anodized

Features & Accessories

Dimensions



Packaging

3 Boxes

1 x 75-11/16" x 33-9/16" x 3-5/8" / 13.23 lbs - 192 cm x 85 cm x 9 cm / 6 kg

1 x 15-13/16" x 15-13/16" x 8-3/4" / 4.3 lbs - 40 cm x 40 cm x 22 cm / 1.95 kg

1 x 18-13/16" x 20-3/8" x 2-7/16" / 31.31 lbs - 47.5 cm x 51.5 cm x 6 cm / 14.2 kg

Light distribution

Diffused

Luminaire weight

38.56 lbs / 17.49 kg

Warranty