

# Tolomeo mega LED w/17" diffuser table with clamp - Parchment SPECIFICATIONS

TLM2002



## Design By

Michele De Lucchi  
Giancarlo Fassina

## Collection

Design



## Specifications

|                                    |                               |
|------------------------------------|-------------------------------|
| Delivered lumens                   | 1918lm                        |
| Light output ratio                 | 60.89lm/W                     |
| Power consumption                  | 31W                           |
| Led type                           | 29W C.O.B.*                   |
| CCT (Correlated Color Temperature) | 3000K                         |
| CRI (Color Rendering Index)        | >80                           |
| Life expectancy                    | 50000Hrs                      |
| Control type                       | DIMMABLE (On Head) / DIMMABLE |
| Input Voltage                      | 120-240V                      |
| Driver                             | Plug-In                       |

## Colors & Finishes

- Parchment (Diffuser)
- Aluminum (Body & Clamp)

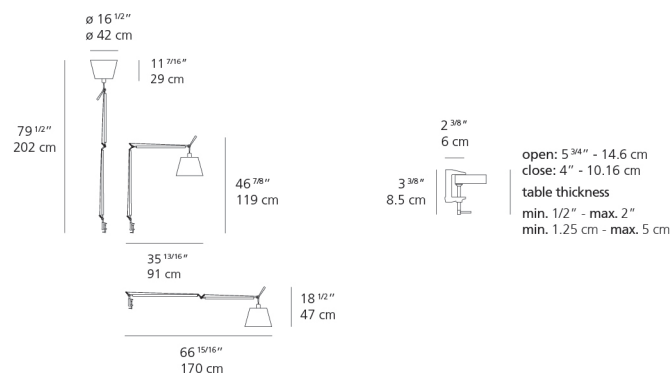
## Materials

- Arm structure in polished aluminum
- Joints, tension control knobs and mountings in polished die-cast aluminum
- Support cable in stainless steel
- Clamp in die-cast aluminum

## Features & Accessories

- Fully adjustable articulated arm structure
- Interchangeable plug options accommodate most countries electrical outlets

## Dimensions



## Packaging

3 Boxes

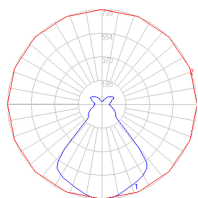
1 x 13-11/16" x 7-15/16" x 44-3/16" / 6.39 lbs - 34.5 cm x 20 cm x 112 cm / 2.9 kg

1 x 19-3/8" x 19-3/8" x 13" / 1.1 lbs - 49 cm x 49 cm x 33 cm / .5 kg

1 x 5-3/16" x 4-13/16" x 3-5/8" / .44 lbs - 13 cm x 12 cm x 9 cm / .2 kg

## Light distribution

Diffused



Red = Max Cd. Through Vertical plane  
Blue = Max Cd. Through Horizontal plane

## Luminaire weight

3.75 lbs / 1.7 kg

## Warranty

5 year limited warranty