

Tolomeo mega LED w/12" diffuser floor - Parchment

SPECIFICATIONS

TLM2100



Design By

Michele De Lucchi
Giancarlo Piretti

Collection

Design



Specifications

Delivered lumens	1918lm
Light output ratio	61.81lm/W
Power consumption	31W
Led type	31W C.O.B.*
CCT (Correlated Color Temperature)	3000K
CRI (Color Rendering Index)	>80
Life expectancy	50000Hrs
Control type	DIMMABLE (On Cord)
Input Voltage	120V
Driver	N/A

Colors & Finishes

- Parchment (Diffuser)
- Aluminum (Body & Base)

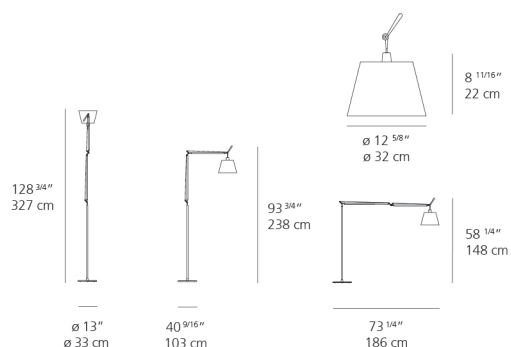
Materials

- Arm structure in extruded aluminum
- Joints and tension control knobs in polished die-cast aluminum
- Tension cables in stainless steel
- Floor support stem in extruded aluminum
- Weighted steel base with stamped aluminum

Features & Accessories

- Fully adjustable articulated arm structure
- Interchangeable plug options accommodate most countries electrical outlets

Dimensions



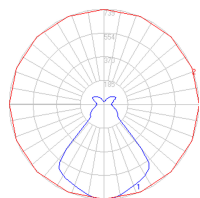
Packaging

4 Boxes

- 1 x 13-11/16" x 7-15/16" x 44-3/16" / 6.39 lbs - 34.5 cm x 20 cm x 112 cm / 2.9 kg
- 1 x 13-7/8" x 13-7/8" x 11-7/8" / 1.1 lbs - 35 cm x 35 cm x 30 cm / .5 kg
- 1 x 16-1/4" x 16-1/4" x 4-13/16" / 37.92 lbs - 41 cm x 41 cm x 12 cm / 17.2 kg
- 1 x 16-1/4" x 16-1/4" x 4-13/16" / 38.36 lbs - 41 cm x 41 cm x 12 cm / 17.4 kg

Light distribution

Diffused



Red = Max Cd. Through Vertical plane
Blue = Max Cd. Through Horizontal plane

Luminaire weight

77.61 lbs / 35.2 kg

Warranty

5 year limited warranty