

Pirce LED suspension 2-wire dimming white

SPECIFICATIONS

1254118A



Design By

Giuseppe Maurizio Scutellà

Collection

Design



Specifications

Delivered lumens	2273lm
Light output ratio	81lm/W
Power consumption	28W
Led type	24W C.O.B.*
CCT (Correlated Color Temperature)	3000K
CRI (Color Rendering Index)	>93
Life expectancy	50000Hrs
Control type	Dimmable 2-Wire**
Input Voltage	120-277V
Driver	HATCH - 1 x XTC32-0700P-UNV-I

Colors & Finishes

White

**Reverse or forward phase (120v only)

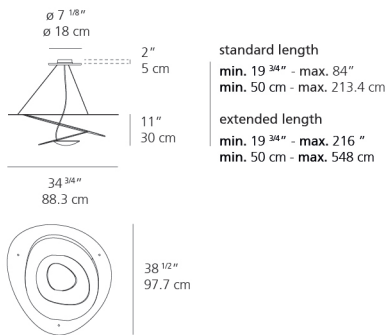
Materials

- Body in painted aluminum

Features & Accessories

- Fluttering spirals, which fall gently downwards, create magical effects of form and light

Dimensions



Packaging

1 Box

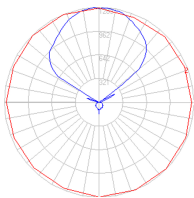
1 x 40-5/8" x 37-7/8" x 16-7/16" / 32.85 lbs - 103 cm x 96 cm x 41.5 cm / 14.9 kg

Light distribution

Indirect

Luminaire weight

21.38 lbs / 9.7 kg



Warranty

5 year limited warranty

Red = Max Cd. Through Vertical plane

Blue = Max Cd. Through Horizontal plane