

Demetra Professional LED wall matte black

SPECIFICATIONS

DEM2102



Design By

Naoto Fukasawa

Collection

Design



Specifications

| | |
|------------------------------------|---------------------------------------|
| Delivered lumens | 869lm |
| Light output ratio | 72lm/W |
| Power consumption | 12W |
| Led type | 10W C.O.B.* |
| CCT (Correlated Color Temperature) | 3000K |
| CRI (Color Rendering Index) | >90 |
| Life expectancy | 50000Hrs |
| Control type | DIMMABLE (On Head) / No Motion Sensor |
| Input Voltage | 120-240V |
| Driver | Plug-In |

Colors & Finishes

Matte Black

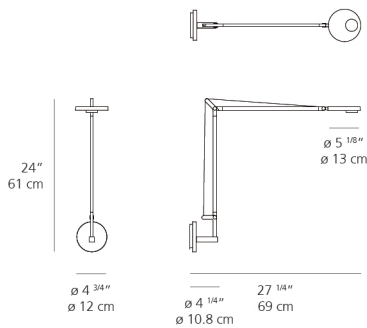
Materials

- Head in die-cast aluminum
- Arm in extruded aluminum
- Lower head diffuser in thermoplastic
- Internal tension springs and external tension control cables in aluminum
- Wall support in painted aluminum

Features & Accessories

- Anti-glare reflector
- Fully adjustable arms and head
- Tiltable and rotatable diffuser
- Bottom of the head's body works as a heatsink for maximum heat dissipation

Dimensions



Packaging

2 Boxes

1 x 42" x 14" x 2-5/8" / 5.62 lbs - 106.5 cm x 35.5 cm x 6.5 cm / 2.55 kg

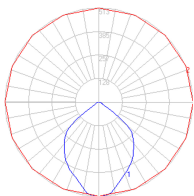
1 x 7-15/16" x 7-15/16" x 6-3/8" / .77 lbs - 20 cm x 20 cm x 16 cm / .35 kg

Light distribution

Direct

Luminaire weight

2.42 lbs / 1.1 kg



Red = Max Cd. Through Vertical plane

Blue = Max Cd. Through Horizontal plane

Warranty